

Gas Discharge Tube: GC8 Series

2-Electrode $\Phi 8.0 \times T 8$ mm High Voltage Type



■ Features

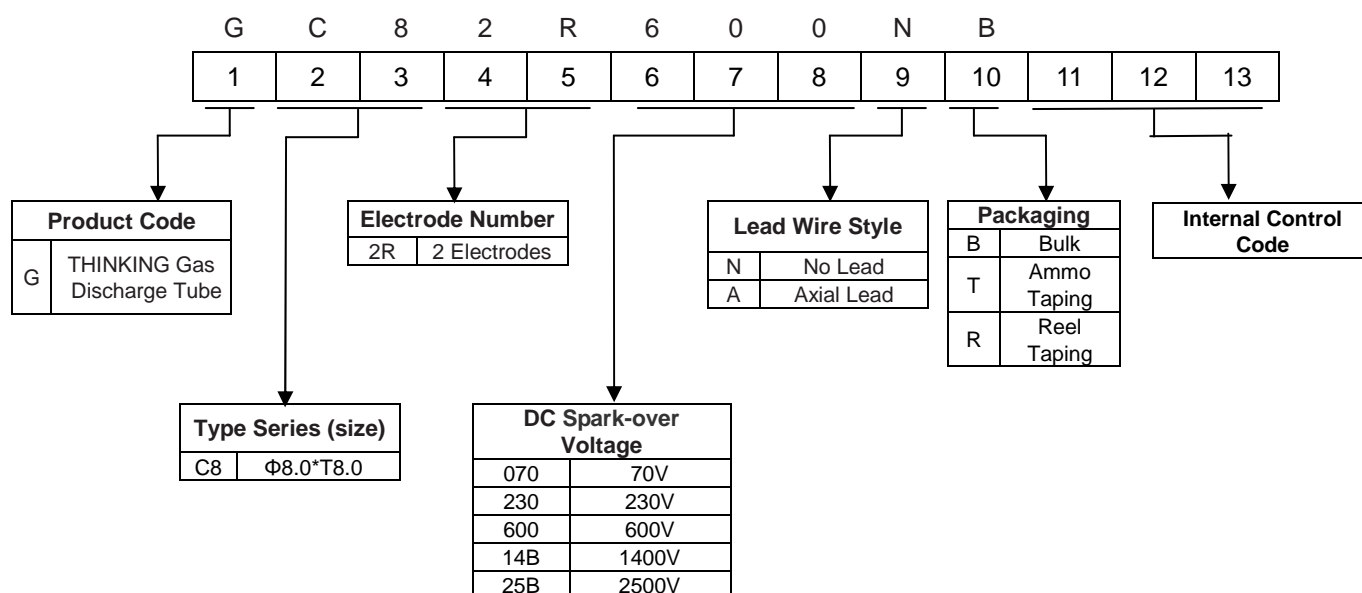
1. RoHS compliant
2. Rugged ceramic-metal construction
3. Available with or without leads
4. DC spark-over voltage : 600~6000V
5. Low capacitance
6. Agency recognition :UL/cUL



■ Recommended Applications

1. Data transmission lines
2. Communication lines
3. CATV system
4. Power distribution system
5. Power supplier
6. Test equipment
7. Instrumentation circuits

■ Part Number Code



Gas Discharge Tube: GC8 Series

2-Electrode $\Phi 8.0 \times T8$ mm High Voltage Type



■ Characteristics

Type	DC Breakdown Voltage	Max. Impulse Breakdown Voltage		Impulse Discharge Current (8/20 μ s)		Impulse Life (10/1000 μ s)	Normal Alternating Discharge Current		Minimum Insulation Resistance	Maximum Capacitance (1MHz)	Safety approvals
	(100V/S)	100V/ μ s	1KV/ μ s	1 time	10 times	100A	50Hz, 1Sec	Single 9 Cycles			
	(V)	(V)	(V)	(KA)		Times	(A)				
GC82R600□□	600 \pm 15%	1000	1100	8	5	100	5	10	1	1.5	√
GC82R800□□	800 \pm 15%	1100	1200								√
GC82R10B□□	1000 \pm 20%	1300	1400								√
GC82R14B□□	1400 \pm 20%	2100	2200								√
GC82R16B□□	1600 \pm 20%	2300	2400								√
GC82R20B□□	2000 \pm 20%	2700	2800								√
GC82R25B□□	2500 \pm 20%	3500	3600								√
GC82R27B□□	2700 \pm 20%	3600	3800	5	3	300*	3	5			√
GC82R30B□□	3000 \pm 20%	4100	4200			√					
GC82R35B□□	3500 \pm 20%	4900	5000			√					
GC82R40B□□	4000 \pm 20%	5300	5500			√					
GC82R45B□□	4500 \pm 20%	5800	6000			√					
GC82R50B□□	5000 \pm 20%	6000	6400			√					
GC82R60B□□	6000 \pm 20%	7000	7800			100					2.5

Note1: The first □ is the style of lead wire, and the second □ is packaging.

Note2: * means products measured with an 8/20 μ s waveform, 100A

Note3: UL / 1449 3rd → File No.E314979

Note 4: Insulation resistance test conditions:

DC Breakdown Voltage	DC Measuring Voltage
600-1000V	250V
1400-2000V	500V
2500-6000V	1000V

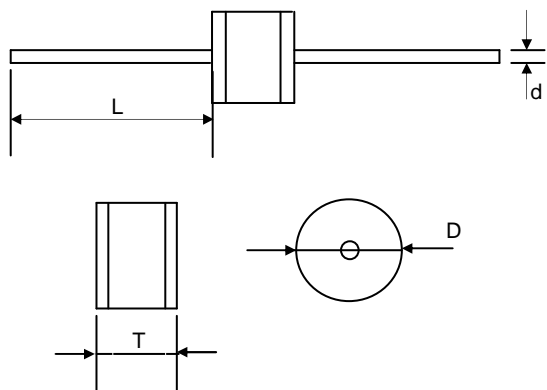
Gas Discharge Tube: GC8 Series

2-Electrode $\Phi 8.0 \times T8$ mm High Voltage Type



■ Dimensions

□ = A (Axial lead type)

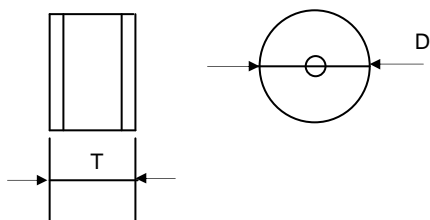


Unit: mm

Item	Dimensions	
	Spec.	Tolerance
D	8.0	+0.3/-0.5
T	8.0	+0.6/-0.1
L	20	Min.
d*	0.8	±0.05

*: d = 1.0mm is available.

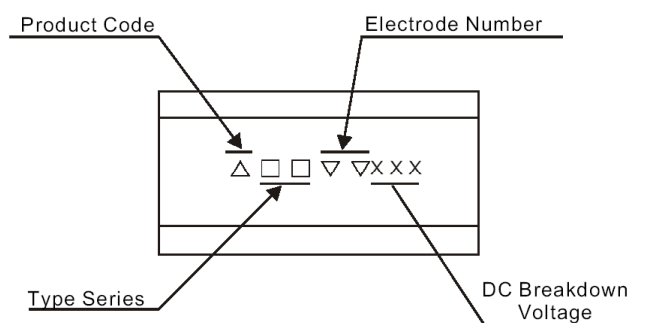
□ = N (No lead type)



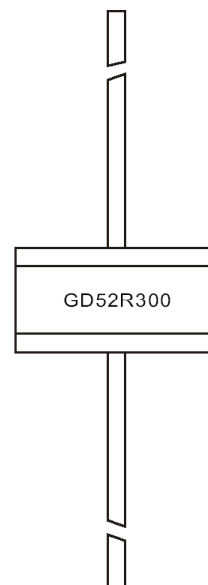
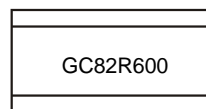
Unit: mm

Item	Dimensions	
	Spec.	Tolerance
D	8.0	+0.3/-0.5
T	8.0	+0.6/-0.1

■ Marking



Example



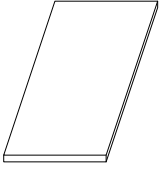
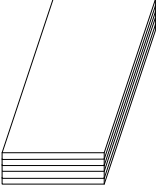
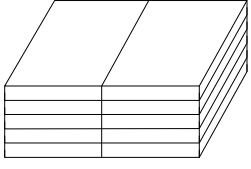
Gas Discharge Tube: GC8 Series

2-Electrode $\Phi 8.0 \times T8$ mm High Voltage Type



■ Packaging

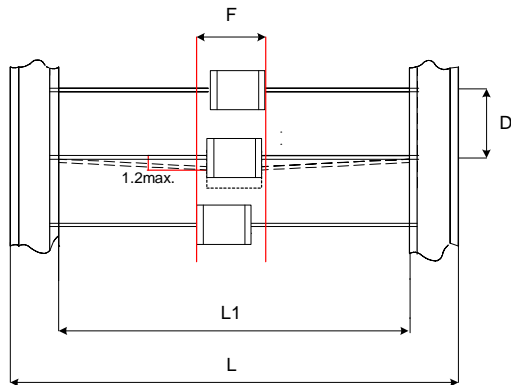
● Bulk

Plastic Tray (263×144×6mm)	Inner Box (270×145×50mm)	Outside Box (320×305×280mm)
		
100 PCS/ Plastic Tray	500 PCS/box	5000 PCS/carton

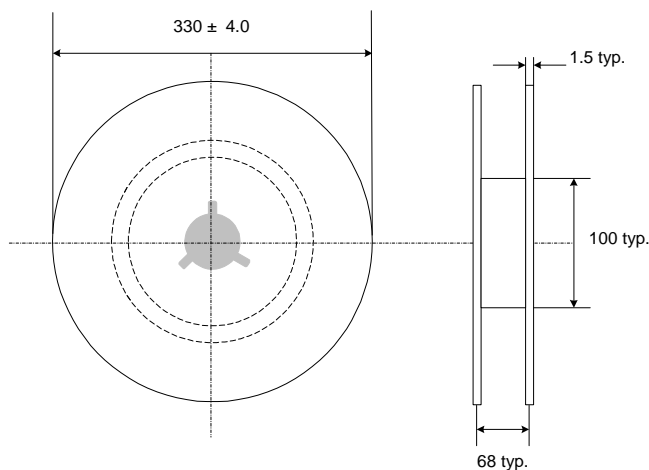
● Taping

For 2-electrode Axial Lead GDT

Unit: mm



Item	Dimensions	
	Spec.	Tolerance
L1	52	± 2
L	64	± 3
D	10	± 0.5
F	T of Gas Tube + 1.4	Max.



Gas Discharge Tube: GC8 Series

2-Electrode $\Phi 8.0 \times T8$ mm High Voltage Type



■ Storage Conditions of GDT

(I) Storage conditions:

1. Storage Temperature: $-10^{\circ}\text{C} \sim +40^{\circ}\text{C}$.
2. Relative humidity: $\leq 75\% \text{RH}$.
3. Gas discharge tube must be kept away from sunlight and stored in a non-corrosive atmosphere.

(II) Shelf life: 1 year.