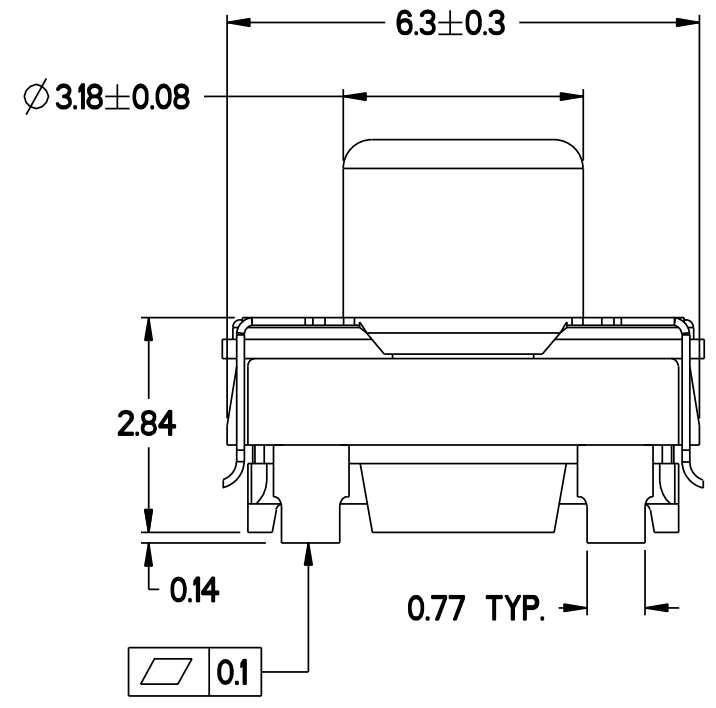
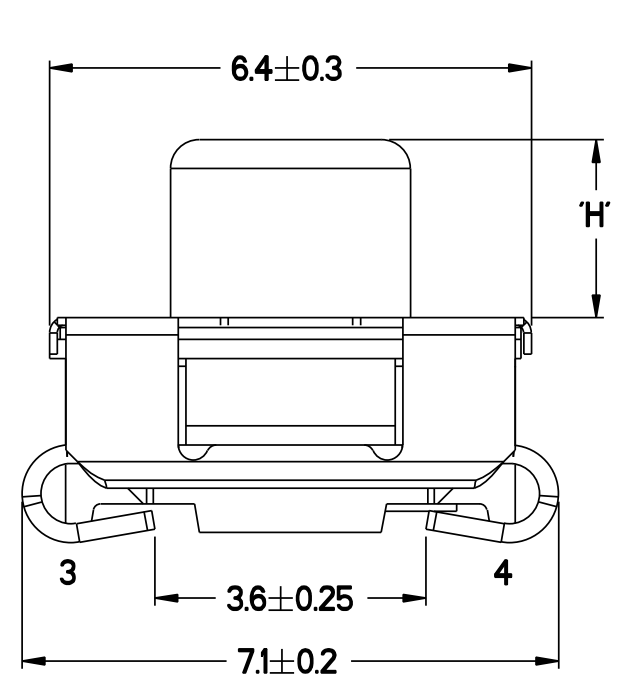
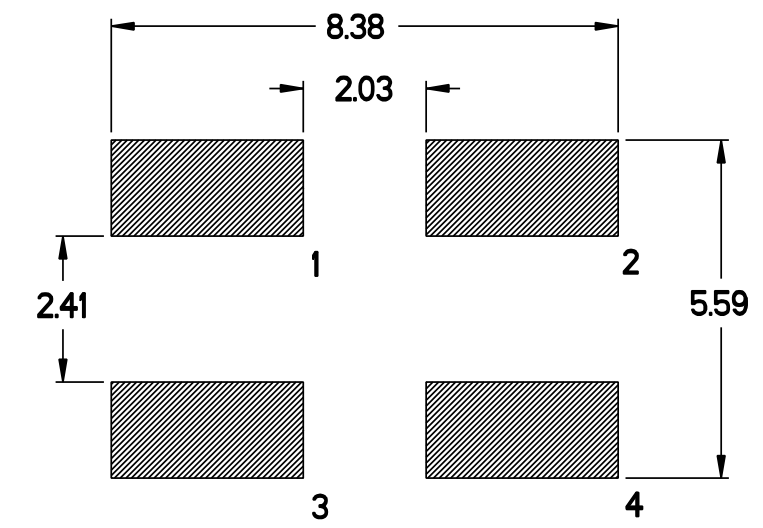


SCHMATIC

SUGGESTED PAD LAYOUT

SCALE: 8:1



Reference	Designation	Plating	Dimension 'H'	Switching Force (N)
YT1015530FP LFS	KT11B0JM34LFS	SILVER	0	192 TO 288
YT1025530FP LFS	KT11B1JM34LFS	SILVER	0.64	
YT1035530FP LFS	KT11B2JM34LFS	SILVER	2.24	
YT1035531FP LFS	SS-2514-5LFS	SILVER	2.24	

LF version	Contact area (1 face)	Terminal area (2 faces)
LFS	0.5 um min Ag plate over 1.3 um min Nickel plate	0.2-0.6 um Ag plate all over 1.3 um Ni plate all over

TOLERANCE:
 LINEAR: ± 0.12
 ANGLUAR: ± 3°

FOR REFERENCE ONLY
 仅供参考
THIS PRINT WILL NOT BY UPDATED
 不作自动更新

DO NOT SCALE				PDM:		A3/B	
Drawn	CDY	04-Apr-06	Material:	 3rd ANGLE PROJECTION	 ITT Industries Cannon Electronics (SZ) Co. Ltd.	Pro/E Generic Model	
Checked	KT	04-Apr-06				Title	KT11BxJMLFx
Engineer.	CDY	04-Apr-06	Treatment:	 Surface Roughness Unless Specified	Ref: Toupandun Industrial Area, Jinda Cheng, Xiner Village, Shajing Town, Baoan District, Shenzhen City PRC 518125	Drwg. No.	
Manufact.						Dimensions in: mm	Cust Spec No:
Assembly						CU_T1.M03_001_FP	
Quality						iss/rev	
Approvals	Sign	Date	This is issued in strict confidence on condition that it is not used as a basis for manufacture or sale and that it is not copied reprinted or disclosed to a third party either wholly or in part without the prior written consent of ITT Industries © 04-Apr-06				-