

MXO5026 Series OCXO

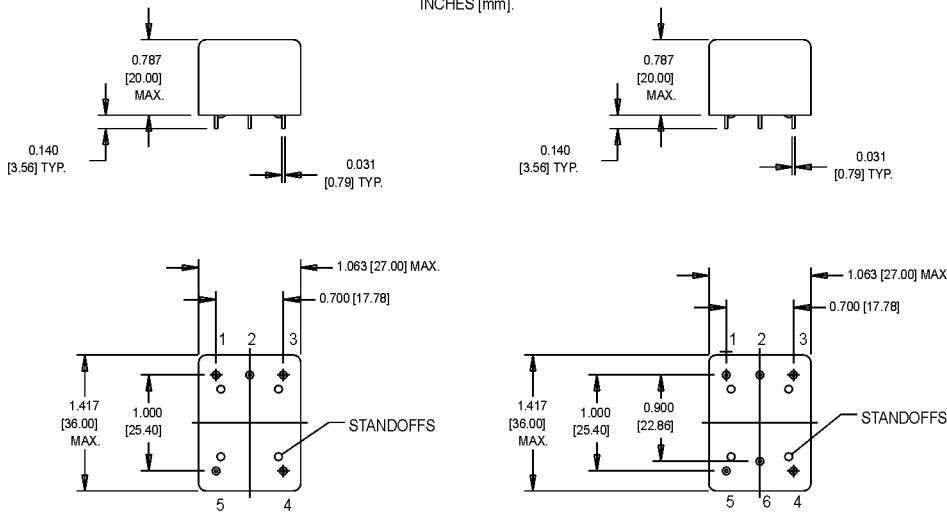
36.0 x 27.0 x 20.0 mm



- Available in AT or SC cut, featuring low phase noise in a small package
- Ideal for base stations, instrumentation and test equipment where size is a factor

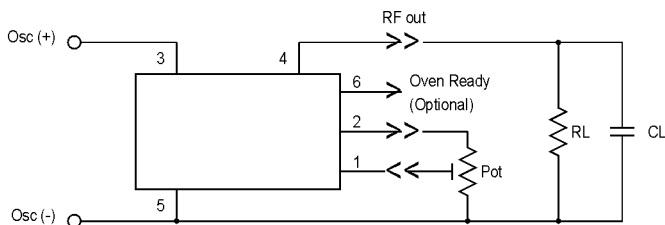
Ordering Information		MXO5026	1	A	A	C	D	00.0000 MHz
Product Series								
Temperature Range								
	1: 0°C to +70°C							
	8: 0°C to +50°C							
	B: -30°C to +70°C							
	C: -40°C to +70°C							
Stability								
	A: $\pm 1.0 \times 10^{-7}$						C: $\pm 7.0 \times 10^{-8}$	
	D: $\pm 6.0 \times 10^{-8}$						E: $\pm 5.0 \times 10^{-8}$	
	F: $\pm 4.0 \times 10^{-8}$						G: $\pm 3.0 \times 10^{-8}$	
	J: $\pm 2.0 \times 10^{-8}$						K: $\pm 1.0 \times 10^{-8}$	
Crystal Cut								
	A: AT Cut							
	S: SC Cut							
Output Type								
	C: CMOS						H: HCMOS	
	S: Sinewave						T: TTL	
Package Type								
	D: DIP							
Frequency (Customer Specified)								

DIMENSIONS ARE SHOWN IN INCHES [mm].



Pin Connections

PIN	FUNCTION
1	Frequency Adjust
2	Vref
3	Supply (+)
4	RF Output
5	Case Ground & Supply Return
6	Oven Ready (Optional)



M-tron reserves the right to make changes to the product(s) and service(s) described herein without notice. No liability is assumed as a result of their use or application. No rights under any patent accompany the sale of such product.

M-tron Industries, Inc., PO Box 630, Yankton, SD 57078-0630, USA Phone: 605-665-9321 or 1-800-762-8800 Fax: 605-665-1709 Website: www.mtron.com
 M-tron Industries Limited, 1104 Shanghai Industrial Investment Building, 48-62 Hennessy Road, Wanchai, Hong Kong, China Phone: 852-2866-8023 Fax: 852-2529-1822

MXO5026 Series OCXO

36.0 x 27.0 x 20.0 mm



Electrical Specifications	PARAMETER	SC-cut	AT-cut
	Frequency Range	10 MHz	10 MHz
	Temperature Range	-10°C to +70°C	-10°C to +70°C
	Temperature Stability	$\pm 2.0 \times 10^{-8}$	$\pm 6.0 \times 10^{-8}$
	Supply Voltage	+12 Vdc $\pm 5\%$	+12 Vdc $\pm 5\%$
	Aging Over 1 Year	$\pm 5.0 \times 10^{-8}$	$\pm 2.0 \times 10^{-7}$
	Aging After First Year	$\pm 2.0 \times 10^{-8}$	
	Warm-up Current	.400 mA max	
	Current @ 25°C steady state	125 mA max	
	Warm-up Time @ 25°C	to within ± 0.10 ppm of Fo in 3 min, ± 0.01 ppm in 5 min	
	Duty Cycle	50 $\pm 10\%$	
	Load	2 Gates/20 pF max	
	Aging Adjustment	External 10 k pot/voltage	
	Deviation	$\pm 5.0 \times 10^{-7}$	
	Slope	Positive	
	Phase Noise		
	1 Hz	-90 dBc/Hz	
	10 Hz	-120 dBc/Hz	
	100 Hz	-140dBc/Hz	
	1 kHz	-150 dBc/Hz	
10 kHz	-155 dBc/Hz		
<u>Sinewave Version</u>			
Spurious	-75 dBc max		
Harmonics	-30 dBc max		
Load	50 Ω to 1 k Ω		
Output Level	+7 dBm min into 50 Ω		
<u>HCMOS Version</u>			
Duty Cycle	40/60		
Load	2 Gates		

T \ S	A	C	D	E	F	G	J	K
1	C	C	C	A	C	C	S	C
8	C	C	C	C	C	A	C	S
B	C	A	C	C	C	S	N	N
C	A	C	C	C	S	N	N	N

A = AT Cut S = SC Cut
 C = Consult Factory N = Not Available

M-tron reserves the right to make changes to the product(s) and service(s) described herein without notice. No liability is assumed as a result of their use or application. No rights under any patent accompany the sale of such product.

M-tron Industries, Inc., PO Box 630, Yankton, SD 57078-0630, USA Phone: 605-665-9321 or 1-800-762-8800 Fax: 605-665-1709 Website: www.mtron.com
 M-tron Industries Limited, 1104 Shanghai Industrial Investment Building, 48-62 Hennessy Road, Wanchai, Hong Kong, China Phone: 852-2866-8023 Fax: 852-2529-1822