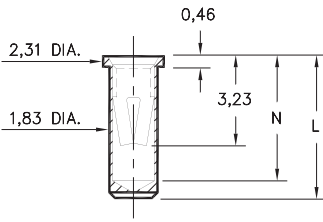


### 0327/0351/0373

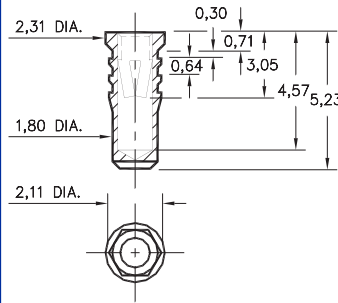


Basic Part Number	Length L	Depth N
0327-0	5,23	4,57
0351-0	5,74	5,08
0373-0	6,86	6,12

**03XX-0-15-XX-34-XX-10-0**

Solder mount in 1,91 min. mounting hole

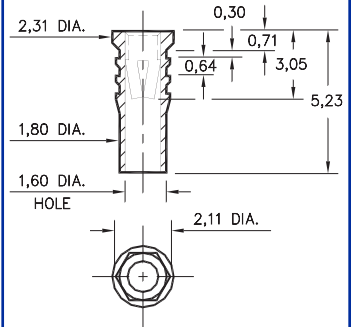
### 0328



**0328-0-15-XX-34-XX-10-0**

Hex press-fit in 2,01 plated thru hole

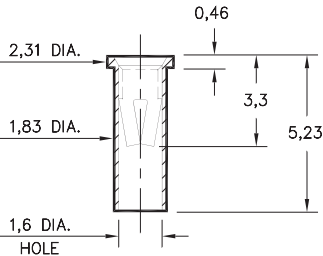
### 0334



**0334-0-15-XX-34-XX-10-0**

Hex press-fit in 2,01 plated thru hole

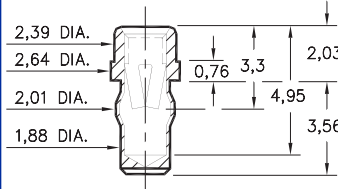
### 0312



**0312-0-15-XX-34-XX-10-0**

Solder mount in 1,91 min. mounting hole

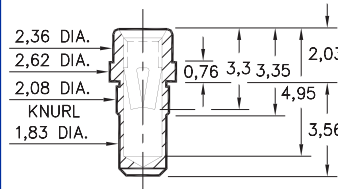
### 0333



**0333-0-42-XX-34-XX-10-0**

Press-fit in 1,93 mounting hole

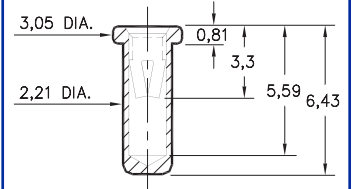
### 0357



**0357-0-15-XX-34-XX-10-0**

Press-fit in 1,98 mounting hole

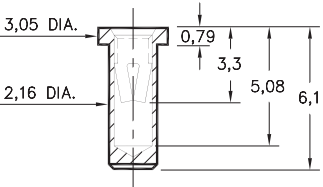
### 0317



**0317-0-15-XX-34-XX-10-0**

Solder mount in 2,31 min. mounting hole

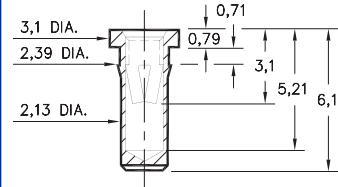
### 0340



**0340-0-15-XX-34-XX-10-0**

Solder mount in 2,21 min. mounting hole

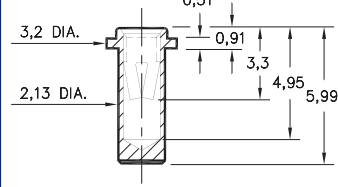
### 0345



**0345-0-15-XX-34-XX-10-0**

Press-fit in 2,26 mounting hole

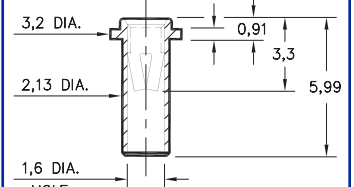
### 0316



**0316-0-15-XX-34-XX-10-0**

Solder mount in 2,21 min. mounting hole

### 0314



**0314-0-15-XX-34-XX-10-0**

Solder mount in 2,21 min. mounting hole

## SPECIFICATIONS

**SHELL MATERIAL:**  
Brass Alloy 360, 1/2 Hard

**CONTACT MATERIAL:**  
Beryllium Copper Alloy 172, HT

**DIMENSION IN INCHES**  
**TOLERANCES ON:**  
LENGTHS: ±0,13  
DIAMETERS: ±0,05  
ANGLES: ± 2°

**ORDER CODE: XXXX - X - XX - XX - 34 - XX - 10 - 0**

**BASIC PART #**

**SPECIFY SHELL FINISH:**  
01 5,08µm TIN/LEAD OVER NICKEL  
80 5,08µm TIN OVER NICKEL ◊  
15 0,25µm GOLD OVER NICKEL ◊

**SPECIFY CONTACT FINISH:**  
01 5,08µm TIN/LEAD OVER NICKEL  
80 5,08µm TIN OVER NICKEL ◊  
27 0,76µm GOLD OVER NICKEL ◊



**CONTACT**

#34 CONTACT (DATA ON PAGE 222)