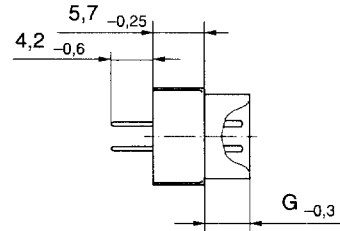
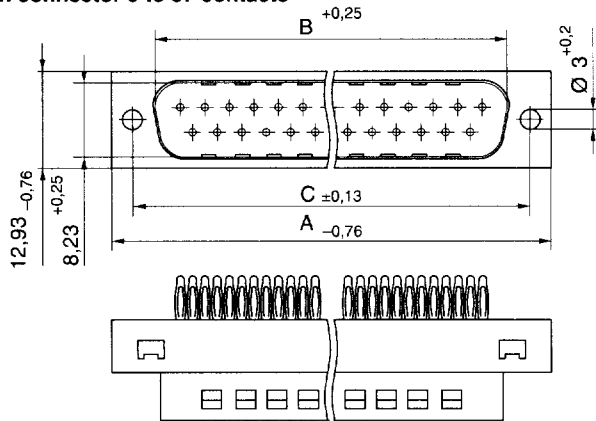


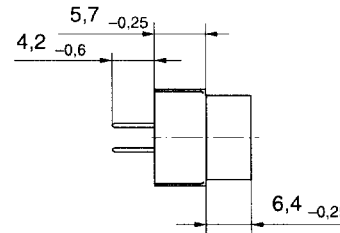
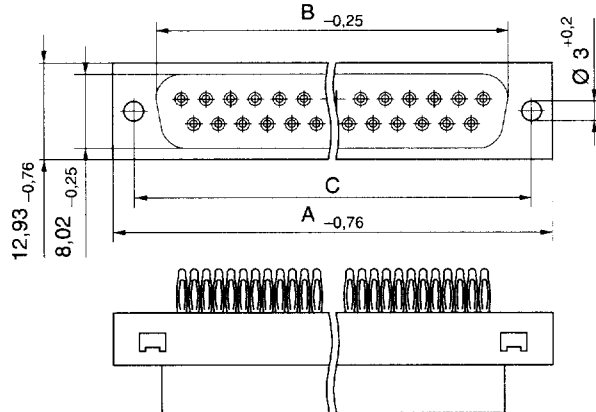
Type E, Straight, Press Fit (Continued)

Sub-D with press-in pins straight shielded version

Pin connector 9 to 37 contacts

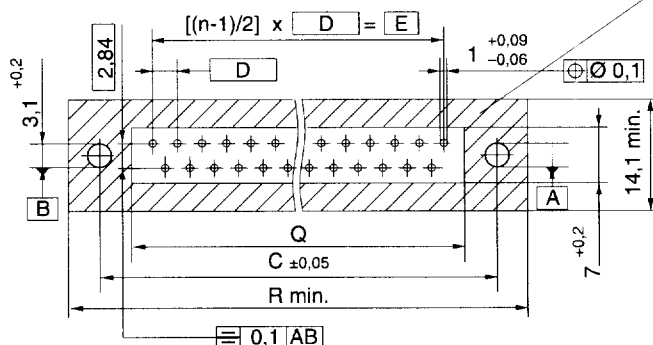


Female connector 9 to 37 contacts



Press-in zone in accordance with IEC 352-2 (currently in preparation)

Mounting holes (component side) for printed circuits



Grounding area upper side of PC board (components side)

See page 221 for dimensions not specified

ECN1589-E

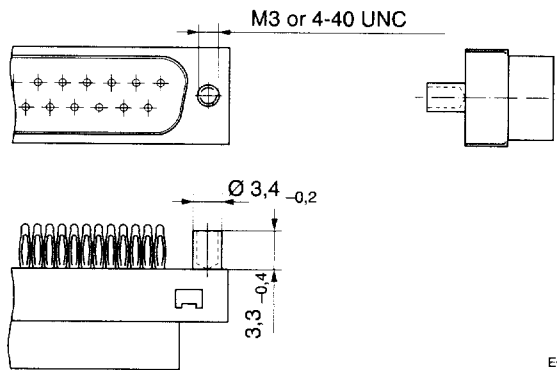
Type E, Straight, Press Fit, Shielded

Sub-D with press-in pins straight shielded version

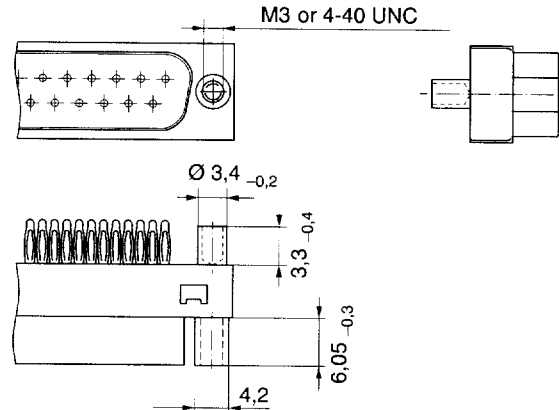
Connector mounting

Version with thread M3/4-40 UNC and grounding socket

Version with stud bolt/screwlock M3/4-40 UNC and grounding socket



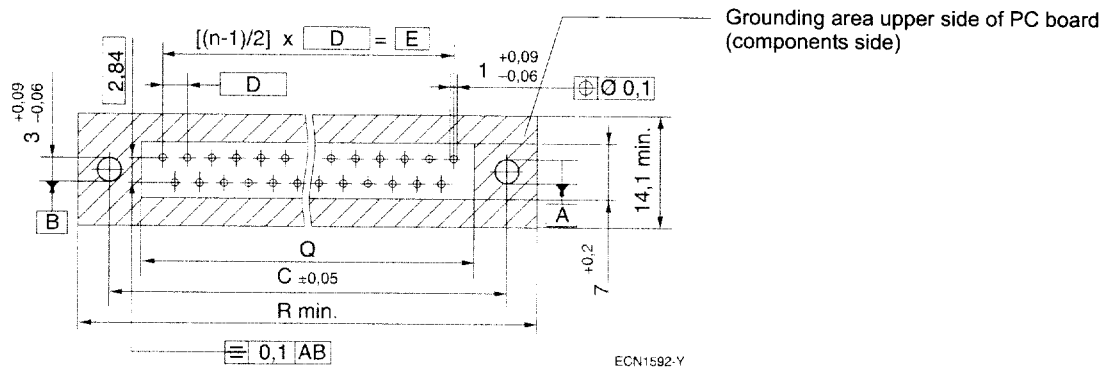
ECN1590-H



ECN1591-Q

Thread full length; torsional strength > 70 Ncm

Mounting holes (component side) for printed circuits; for versions with grounding socket



ECN1592-Y

| No. of contacts | Female(FC) and pin conn.(PC) | n | Dimension | | | | | | | |
|-----------------|------------------------------|----|-----------|-------|---|------|-------|------|------|------|
| | | | A | B | C | D | E | G | Q | R |
| 09 | FC | 9 | 31,19 | 16,46 | 25,00 ^{+0,12} _{-0,13} | 2,74 | 10,96 | 6,12 | 16,3 | 32,5 |
| | PC | | | 16,79 | | | | | | |
| 15 | FC | 15 | 39,52 | 24,79 | 33,30 ^{+0,15} _{-0,10} | 2,74 | 19,18 | 6,12 | 24,5 | 40,8 |
| | PC | | | 25,12 | | | | | | |
| 25 | FC | 25 | 53,42 | 38,50 | 47,04 ^{+0,13} _{-0,13} | 2,76 | 33,12 | 5,99 | 38,5 | 54,7 |
| | PC | | | 38,84 | | | | | | |
| 37 | FC | 37 | 69,82 | 54,96 | 63,50 ^{+0,13} _{-0,13} | 2,76 | 49,68 | 5,99 | 55 | 71 |
| | PC | | | 55,30 | | | | | | |



Subminiature D Type Connectors

Type E, Straight, Press Fit, Shielded (Continued)

Fully Shielded

3mm hole

| n | Male (Pin) | Female |
|----|-------------|-------------|
| 9 | 2-1393732-9 | 3-1393502-3 |
| 15 | 3-1393502-0 | 3-1393502-4 |
| 25 | 3-1393502-1 | 3-1393502-5 |
| 37 | 3-1393502-2 | 3-1393502-6 |

4-4 UNC Screwlock**

| n | Male (Pin) | Female |
|----|-------------|-------------|
| 9 | 3-1393502-7 | 4-1393502-0 |
| 15 | 3-1393502-8 | 4-1393502-1 |
| 25 | 3-1393732-4 | 4-1393502-2 |
| 37 | 3-1393502-9 | 4-1393502-3 |

M3 Thread and Grounding Socket*

| n | Male (Pin) | Female |
|----|-------------|-------------|
| 9 | 3-1393732-1 | 3-1393732-0 |
| 15 | 4-1393502-4 | 4-1393502-5 |
| 25 | 3-1393732-2 | 4-1393502-6 |
| 37 | 3-1393732-3 | 4-1393502-7 |

* With threaded insert 4-40 UNC on request

** With Screwlocks (M3) on request