

Fig. 1

- Elevated sockets are available in 5 different standoff heights.
416...006 uses pin# 0153-1
416...003 uses pin# 0153-2
416...007 uses pin# 0153-3
416...008 uses pin# 0153-4
416...001 uses pin# 0153-5
See page 136 for details.
- Hi-Rel, 4-finger BeCu #30 clip rated at 3 amps. See page 208 for details.

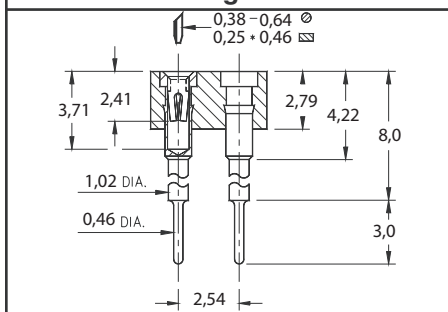
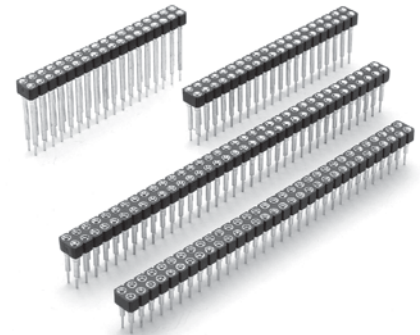


Fig. 2

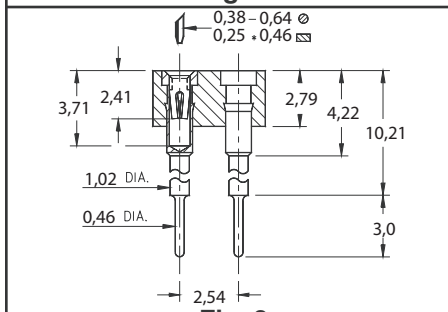


Fig. 3

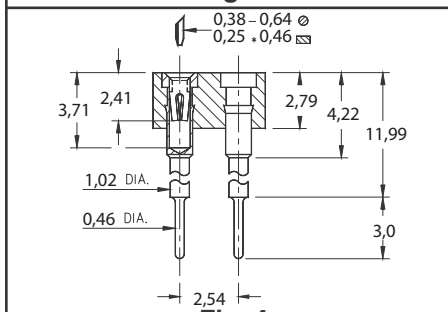


Fig. 4

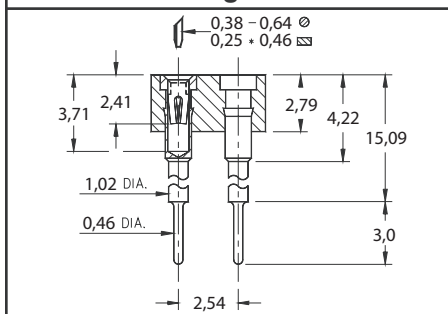


Fig. 5

Ordering Information

Fig. 1	Series 416...006 Standoff Height = 5,99
	416-XX-2__-41-006000 Specify # of pins → 02-64
Fig. 2	Series 416...003 Standoff Height = 8,0
	416-XX-2__-41-003000 Specify # of pins → 02-64
Fig. 3	Series 416...007 Standoff Height = 10,21
	416-XX-2__-41-007000 Specify # of pins → 02-64
Fig. 4	Series 416...008 Standoff Height = 11,99
	416-XX-2__-41-008000 Specify # of pins → 02-64
Fig. 5	Series 416...001 Standoff Height = 15,09
	416-XX-2__-41-001000 Specify # of pins → 02-64

XX=Plating Code
See Below



For RoHS compliance, select **◇** plating code.
For the all gold option (XX=13) also change
part number from 416-XX-2XX-41-00X000
to 416-13-2XX-41-00X100

SPECIFY PLATING CODE XX=	13◇	93	43◇
Sleeve (Pin)	0,25µm Au	5,08µm Sn/Pb	5,08µm Sn
Contact (Clip)	0,76µm Au	0,76µm Au	0,76µm Au