



\* Standard

# SPECIFICATION

## [SSW061FH0]

SSC			Customer
Drawn by	Checked by	Approved by	Approved by
Y.M Jung	S.L Choi	H.J.Hong	
2013.01.28	2013.01.28	2013.01.28	

Rev. 00

January, 2013

www.acrich.com



# Contents

1.	Description	-----	4
2.	Absolute Maximum Ratings	-----	5
3.	Electro-Optical Characteristics	-----	5
4.	Characteristic Diagram	-----	6
5.	Reliability Test	-----	9
6.	Color & Binning	-----	10
7.	Outline Dimension	-----	12
8.	Material List	-----	13
9.	Packing	-----	14
10.	Soldering	-----	16
11.	Precaution for use	-----	17



# SSW061FH0

## SSW061FH0

### 1. Description

- 1-chip in one package
- SMT solderability
- Own patent reserved
- RoHS Compliant
- Low Thermal Resistance
- Pb-free Reflow Soldering application
- SSW061FH0 is very useful side view LED in back light unit application



### Features

- 3.8 (W) X 1.0 (D) X 0.6 (T) mm
- Side View LED of Reflector type

### Applications

- Flat Backlighting (LCD, Display)
- Mobile Phone, Camera, PDA, Notebook
- Coupling into Light Guide Panel
- AV systems

## 2. Absolute maximum ratings

(T<sub>a</sub> = 25°C)

Parameter	Symbol	Value	Unit
Power Dissipation	$P_d^{*1}$	93	mW
DC Forward Current	$I_F$	30	mA
Peak Forward Current	$I_{FM}^{*2}$	100	mA
Reverse Voltage	$V_R$	5	V
Operating Temperature	$T_{opr}$	-30 ~ +85	°C
Storage Temperature	$T_{stg}$	-40 ~ +100	°C
Junction Temperature	$T_j max$	105	°C

\*1 Care is to be taken that power dissipation does not exceed the absolute maximum rating of the product.

\*2 1/10 Duty Cycle @ 1kHz .

## 3. Electro-Optical characteristics

(T<sub>a</sub> = 25°C)

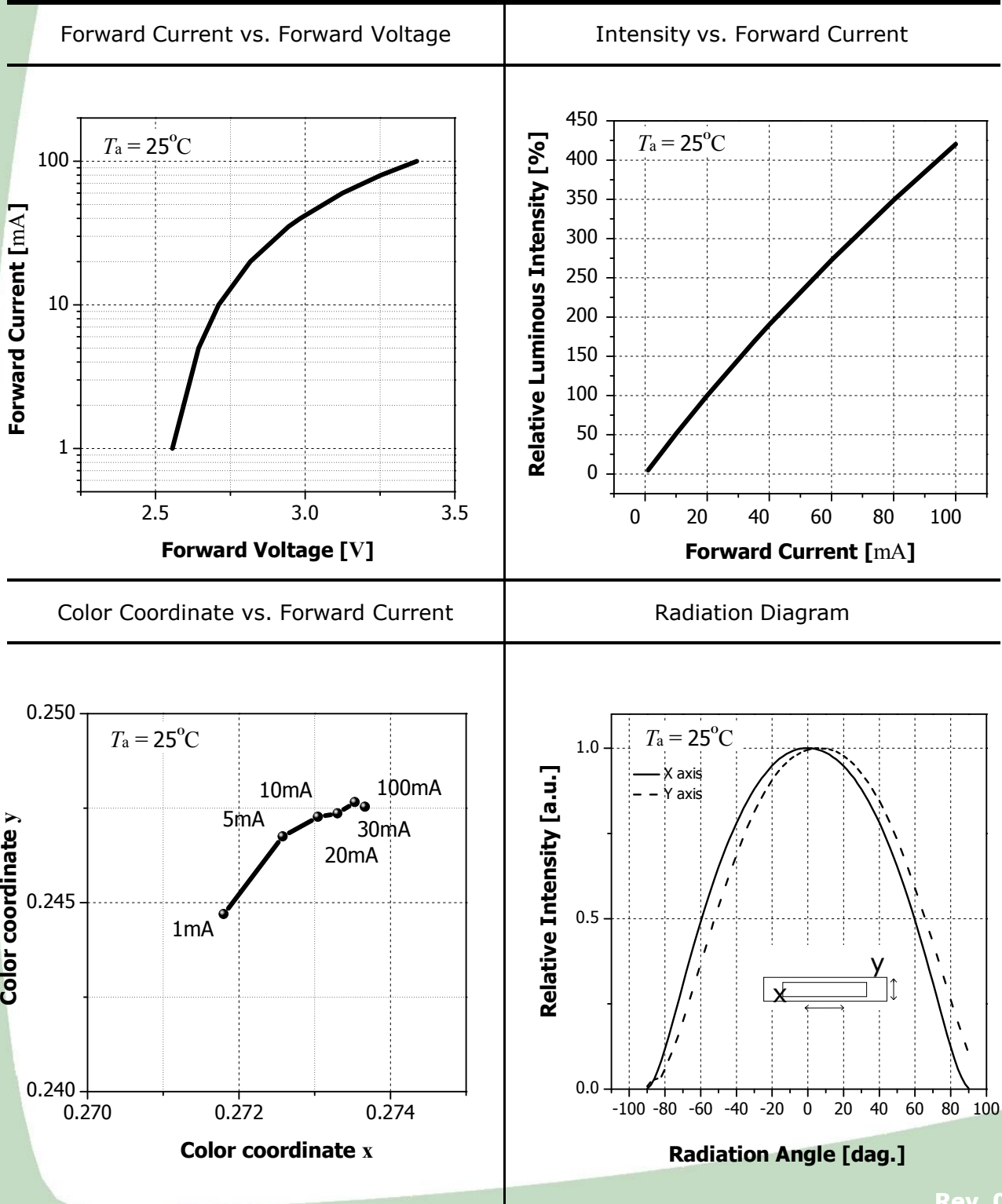
Parameter		Symbol	Condition	Min	Typ	Max	Unit
Forward Voltage*1	Rank Z26	$V_F$	$I_F = 20mA$	2.6	-	2.8	V
	Rank Z28			2.8	-	3.0	
	Rank Z30			3.0	-	3.2	
Reverse Current		$I_R$	$V_R = 5V$	-	-	50	µA
Luminous Intensity*2	Rank S21H	$I_V$	$I_F = 20mA$	2100	-	2200	mcd
	Rank S22H			2200	-	2300	
	Rank S23H			2300	-	2400	
	Rank S24H			2400	-	2500	
	Rank S25H			2500	-	2600	
	Rank S26H			2600	-	2700	
	Rank S27H			2700	-	2800	
	Rank S28H			2800	-	2900	
	Rank S29H			2900	-	3000	
Viewing Angle *3		$2\theta_{1/2}$	$I_F = 20mA$	120			deg.

\*1 Forward voltage measurement allowance is ±0.1V

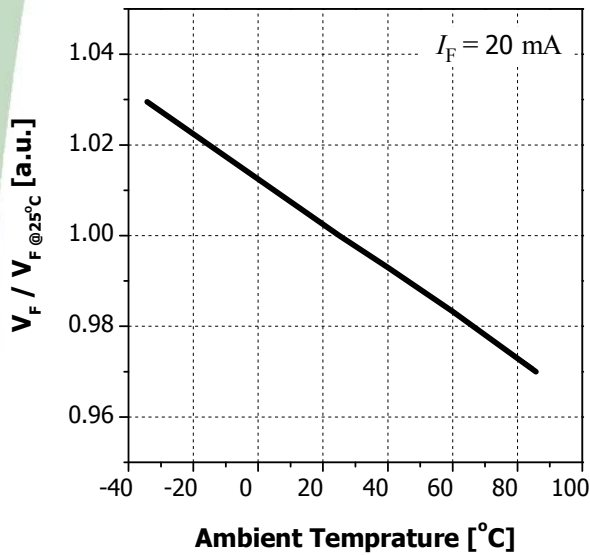
\*2 The luminous intensity  $I_V$  is measured at the peak of the spatial pattern which may not be aligned with the mechanical axis of the LED package. Luminous Intensity Measurement allowance is ±10%.

\*3  $2\theta_{1/2}$  is the off-axis where the luminous intensity is 1/2 of the peak intensity.

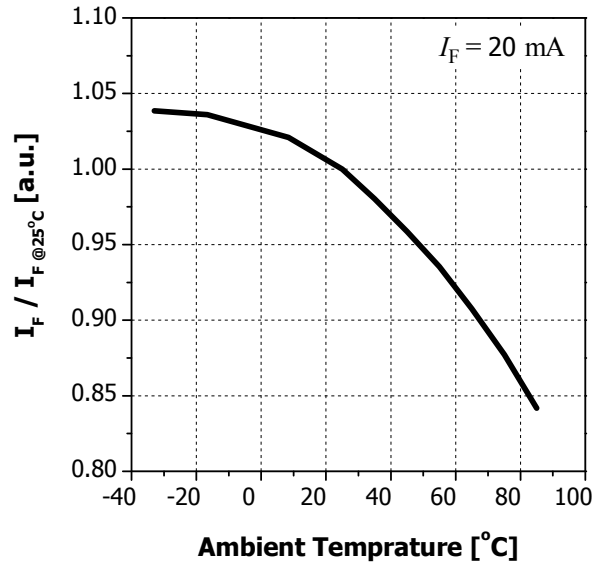
### 4. Characteristic Diagram



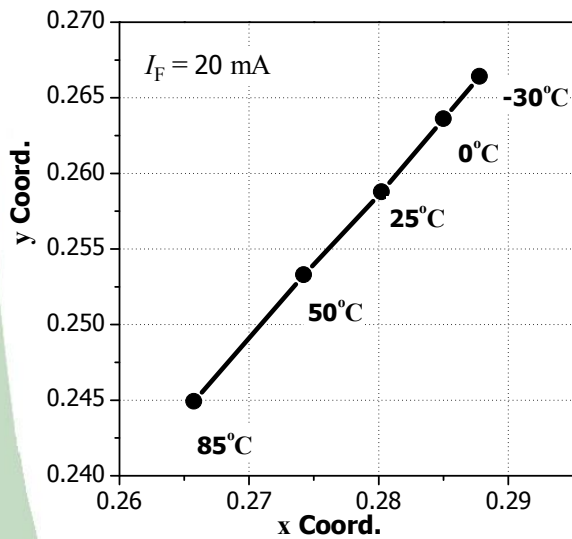
Forward Voltage vs. Ambient Temperature



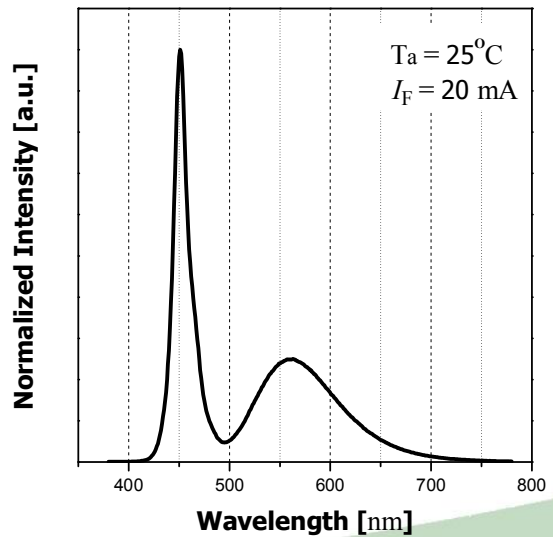
Relative Luminosity vs. Ambient Temperature

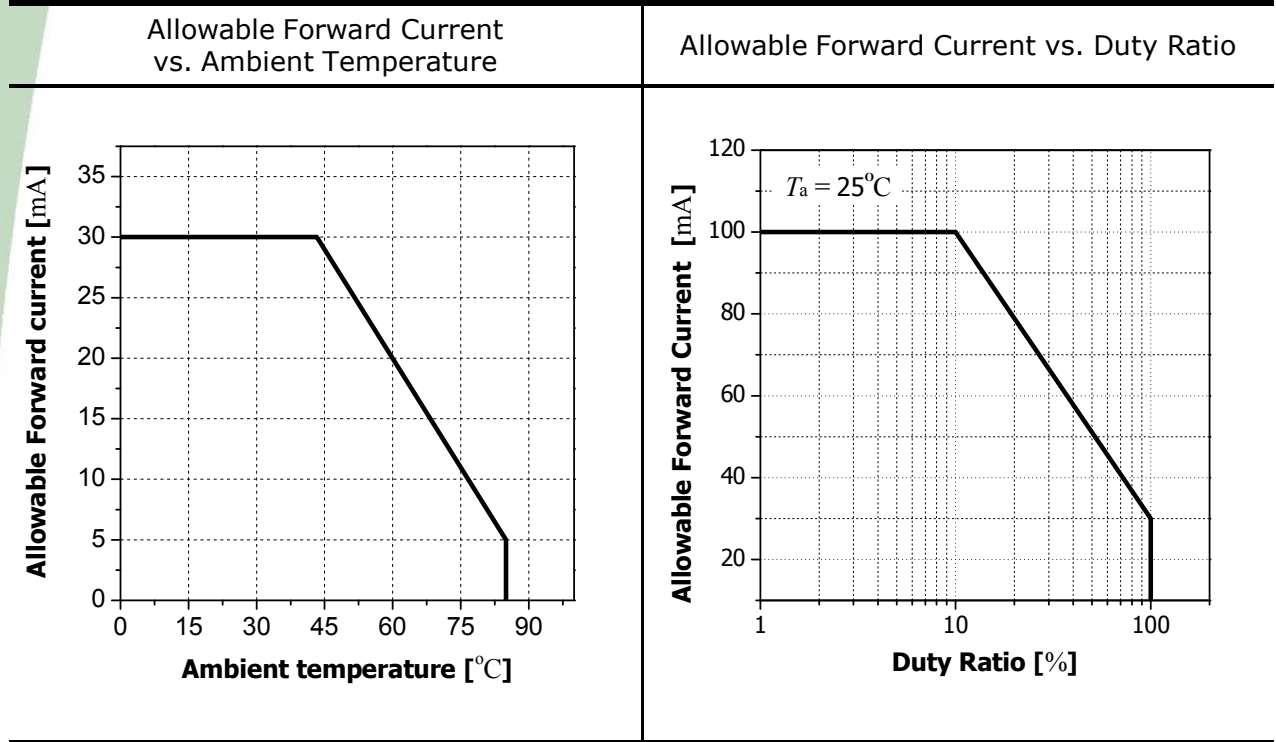


Color Coordinate vs. Ambient Temperature



Spectrum







## 5. Reliability Test

### \* TEST ITEMS AND RESULTS

Item	Reference	Test Condition	Duration / Cycle	Number of Damage
Life Test	-	$T_a = 25^\circ\text{C}, I_F = 20\text{mA}$	1,000 Hours	0/20
High Temperature Life Test	-	$T_a = 85^\circ\text{C}, I_F = 5\text{mA}$	1,000 Hours	0/20
Low Temperature Life Test	-	$T_a = -30^\circ\text{C}, I_F = 20\text{mA}$	1,000 Hours	0/20
High Humidity Heat Life Test	JEITA ED-4701 100 102	$T_a = 60^\circ\text{C}, \text{RH} = 90\%, I_F = 20\text{mA}$	500 Hours	0/20
High Temperature Storage	JEITA ED-4701 200 201	$T_a = 100^\circ\text{C}$	1,000 Hours	0/20
Low Temperature Storage	JEITA ED-4701 200 202	$T_a = -40^\circ\text{C}$	1,000 Hours	0/20
Temperature Cycle	JEITA ED-4701 100 105	$-40^\circ\text{C} \sim 25^\circ\text{C} \sim 100^\circ\text{C} \sim 25^\circ\text{C}$ (30min) (5min) (30min) (5min)	100 cycle	0/50

### \* Criteria for Judging the Damage

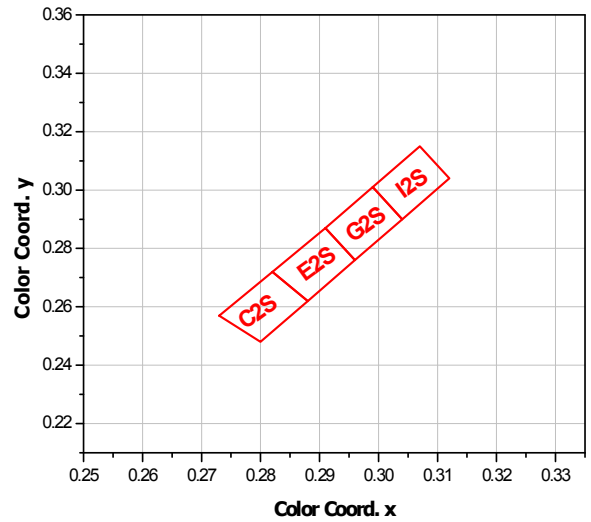
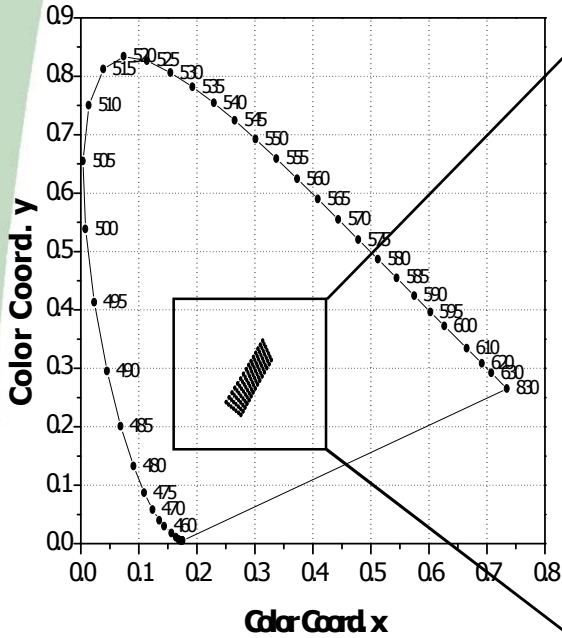
Item	Symbol	Condition	Criteria for Judgement	
			MIN	MAX
Forward Voltage	$V_F$	$I_F = 20\text{mA}$	-	I.V. *1 × 1.2
Reverse Current	$I_R$	$V_R = 5\text{V}$	-	U.S.L. *2 × 2.0
Luminous Intensity	$I_V$	$I_F = 20\text{mA}$	I.V. × 0.7	-

Note : \*1 I.V. : Initial Value

\*2 U.S.L. : Upper Standard Level

## 6. Color & Binning

### \* CIE Chromaticity Diagram



### \* Color Rank

C2S		E2S		G2S		I2S	
x	y	x	y	x	y	x	y
0.273	0.257	0.282	0.272	0.291	0.287	0.299	0.301
0.280	0.248	0.288	0.262	0.296	0.276	0.304	0.290
0.288	0.262	0.296	0.276	0.304	0.290	0.312	0.304
0.282	0.272	0.291	0.287	0.299	0.301	0.307	0.315

\* Measurement Uncertainty of the Color Coordinates is  $\pm 0.007$

\* Bin Code description

▷ Part Number : SSW061FH0

Bin Code		
Luminous Intensity	CIE	Forward Voltage
S21H	C2S	Z26

Luminous Intensity (mcd) @ $I_F = 20\text{mA}$		
Bin Code	Min.	Max.
S21H	2100	2200
S22H	2200	2300
S23H	2300	2400
S24H	2400	2500
S25H	2500	2600
S26H	2600	2700
S27H	2700	2800
S28H	2800	2900
S29H	2900	3000

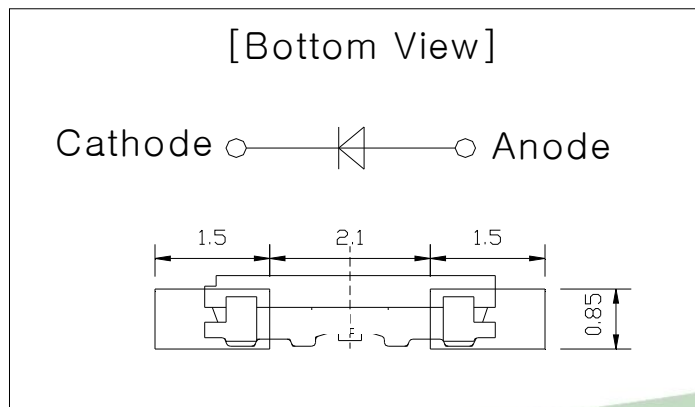
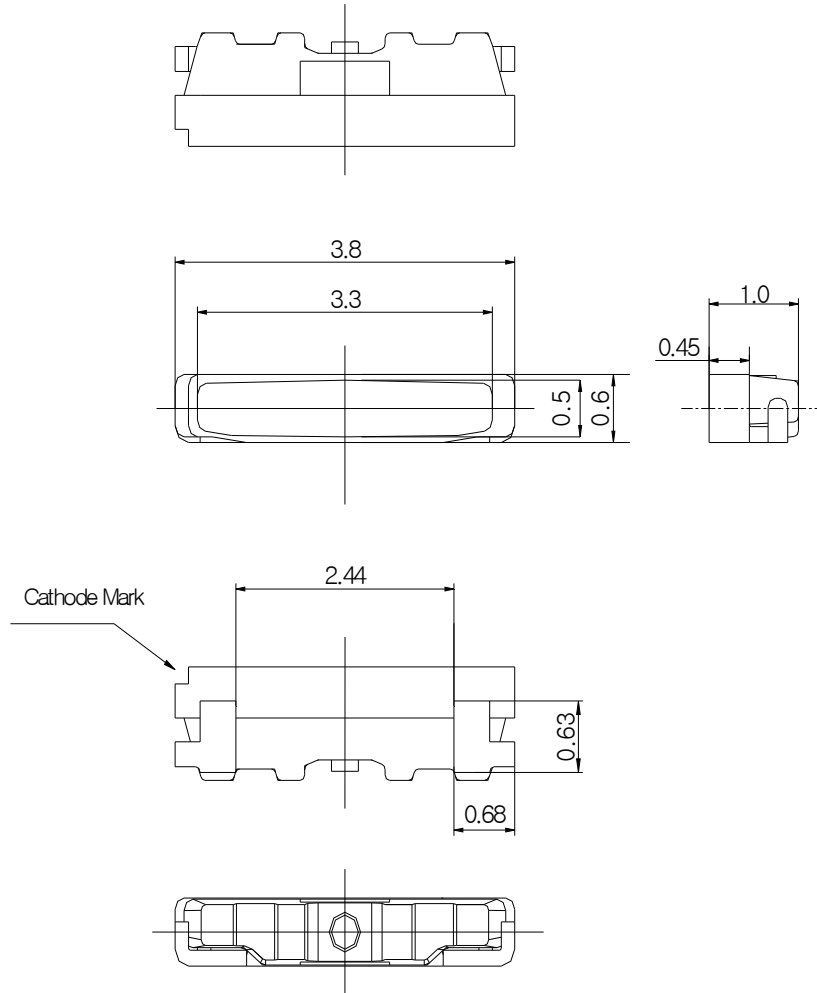
Color Rank @ $I_F = 20\text{mA}$
C2S
E2S
G2S
I2S

Forward Voltage (V) @ $I_F = 20\text{mA}$		
Bin Code	Min.	Max.
Z26	2.6	2.8
Z28	2.8	3.0
Z30	3.0	3.2

Available ranks

7. Outline Dimension

( Tolerance:  $\pm 0.1$ , Unit: mm )



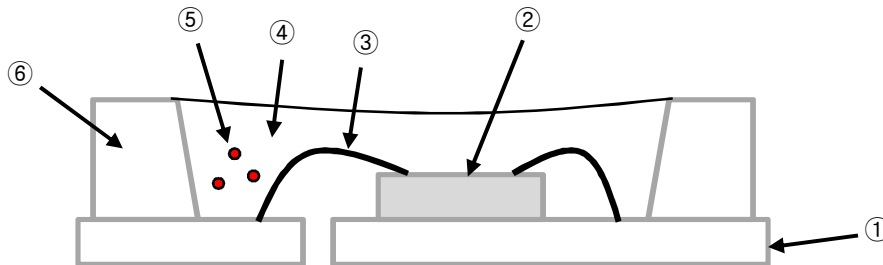
<Recommended solder Pattern>

Rev. 00

January, 2013

www.acrich.com

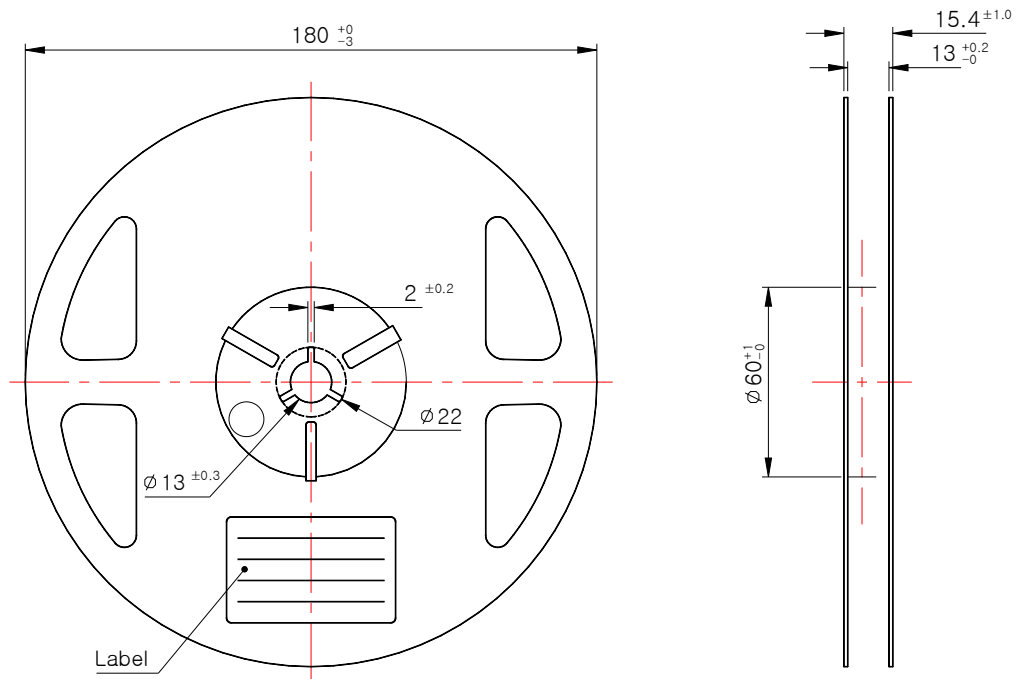
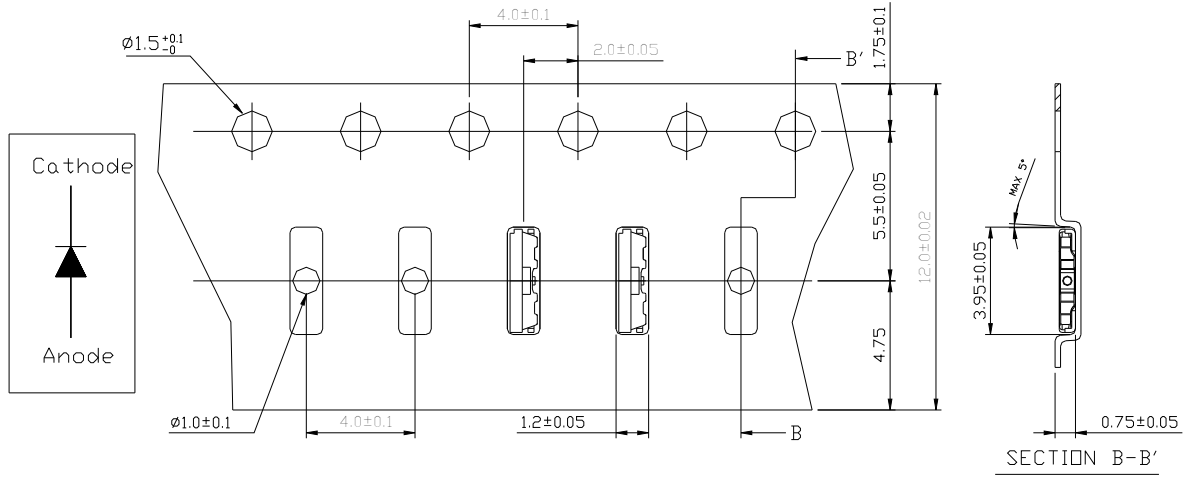
8. Material



No.	LIST	MATERIAL
①	FRAME	COPPER FRAME (SILVER PLATED)
②	LED CHIP	GaN ON SAPPHIRE
③	WIRE	GOLD WIRE
④	ENCAPSULATION	SILICONE
⑤	PHOSPHOR	Silicate
⑥	PACKAGE	HEAT-RESISTANT POLYMER

## 9. Packing

### 1) Reel & Carrier



( Tolerance:  $\pm 0.2$ , Unit: mm )

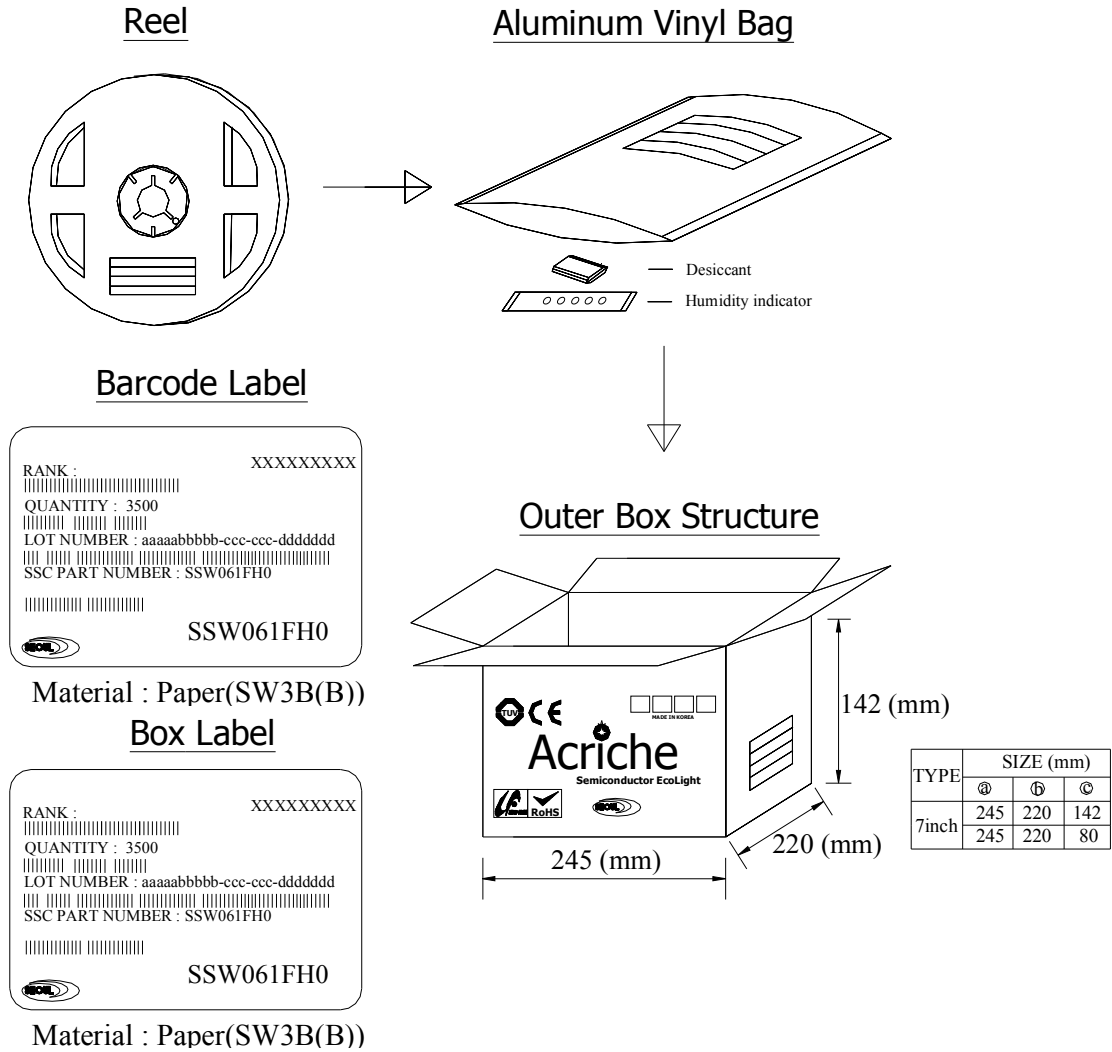
- (1) Quantity : 3500pcs/Reel
- (2) Cumulative Tolerance : Cumulative Tolerance/10 pitches to be  $\pm 0.2$ mm
- (3) Adhesion Strength of Cover Tape : Adhesion strength to be 0.1-0.7N when the cover tape is turned off from the carrier tape at the angle of 10° to the carrier tape
- (4) Package : P/N, Manufacturing data Code No. and quantity to be indicated on a damp proof Package

Rev.00

January, 2013

www.acrich.com

## 2) Reel Packing Structure



## 3) Lot Number

The lot number is composed of the following characters  
 aaaaabbbb-ccc-ccc-dddddd

Symbol	Meaning	Example
aaaaa	THE DATE	09A23 (Year : 09, A : Month, 23 : day)
bbbbbb	SSC's Number	Ex) S0017 0001~ 9999 allowance
ccc-ccc	Order of Taping	014-001
ddddddd	SSC's Number	7300024(Automatic)

Rev. 00

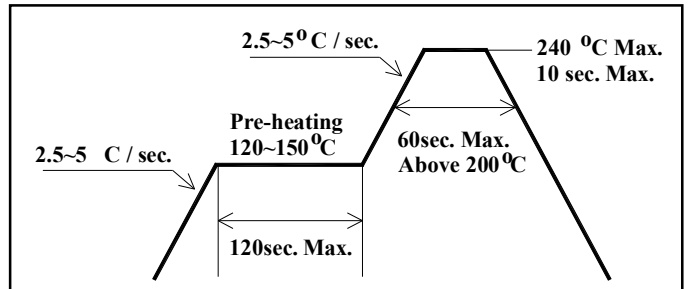
January, 2013

www.acrich.com

## 10. Soldering

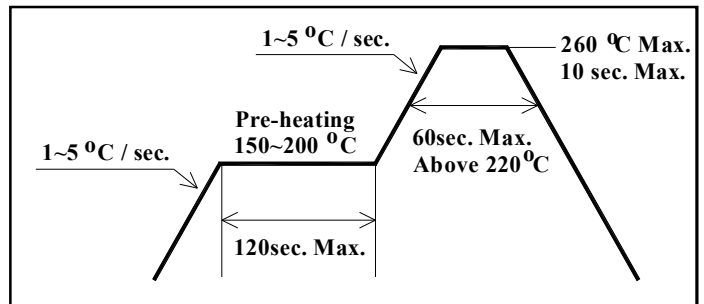
### (1) Lead Solder

Lead Free Solder	
Pre-heat	120~150℃
Pre-heat time	120 sec. Max.
Peak-Temperature	240℃ Max.
Soldering time Condition	10 sec. Max.



### (2) Lead-Free Solder

Lead Free Solder	
Pre-heat	150~200℃
Pre-heat time	120 sec. Max.
Peak-Temperature	260℃ Max.
Soldering time Condition	10 sec. Max.



### (3) Hand Soldering conditions

Not more than 3 seconds @MAX 350°C, under Soldering iron.

Note : In case that the soldered products are reused in soldering process, we don't guarantee the products.

Rev. 00

January, 2013

www.acrich.com



## 11. Precaution for use

### (1) Storage conditions

- Keep the product in a dry box or a desiccator with a desiccant in order to prevent moisture absorption.
  - a. Keep it at a temperature in the range from 5°C to 30°C and at a humidity of less than 50% RH.
- The product should be kept within a year.

### (2) After opening the package .

- When soldering, this could result in a decrease of the photoelectric effect or light intensity.
  - a. Soldering should be done right after mounting the product.
  - b. Keep the temperature in the range from 5°C to 30°C and the humidity at less than 60%.
- Soldering should be done within 7 days after opening the desiccant package. If the product has been exposed for more than 7 days after opening the package or the indicating color of the desiccator changes, the product must be baked at a temperature between  $65 \pm 5^\circ\text{C}$  for less than 24 hours.
- An unused and unsealed product should be repacked in a desiccant package and kept sealed in a dry atmosphere.
- Stored at a humidity of less than 10% RH.

### (3) Precautions for use

- Any external mechanical force or excessive vibration should not be applied to the product during cooling after soldering, and it is preferable to avoid rapid cooling.
- The product should not be mounted on a distorted part of PCB.
- Gloves or wrist bands for ESD(Electric Static Discharge) should be wore in order to prevent ESD and surge damage, and all devices and equipments must be grounded to the earth.

### (4) Miscellaneous

- Radiation resistance is not considered.
- When cleaning the product, any kind of fluid such as water, oil and organic solvent must not be used and IPA(Isopropyl Alcohol) must be used.
- When using the product, operating current should be settled in consideration of the maximum ambient temperature.
- Its appearance or specification for improvement is subject to change without notice.