

3.50mm (0.138") PITCH CONNECTOR

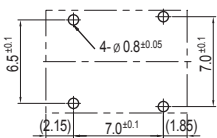
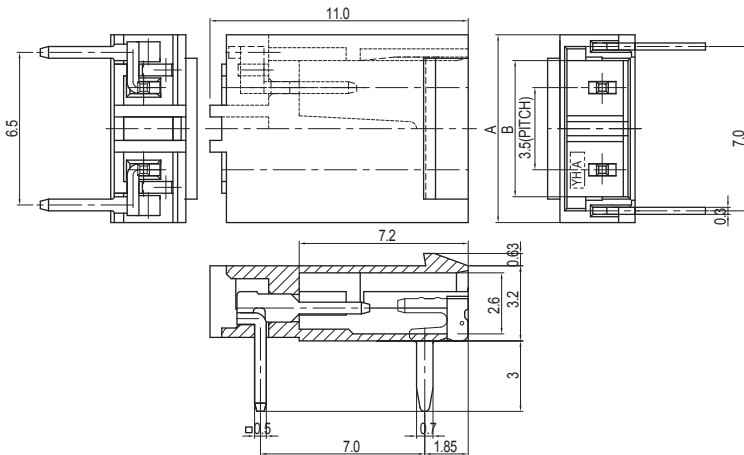
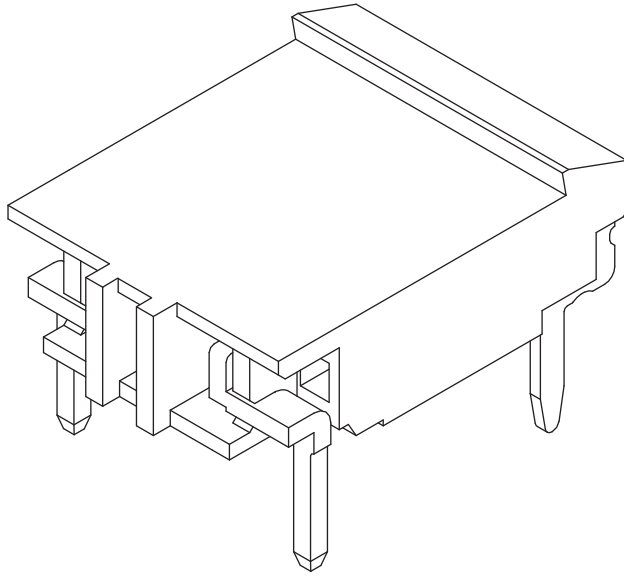


Wire-to-Board
Wafer

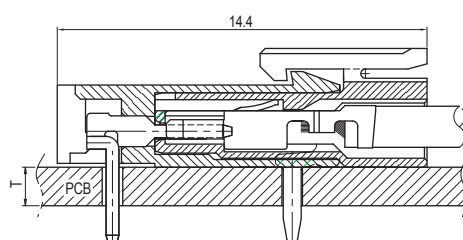
35002WR-02L Series

DIP

Right Angle



PCB LAYOUT



PCB ASS'Y

Material

I/NO	DESCRIPTION	TITLE	MATERIAL
1	WAFER	35002WR-02L	PA6T or PA46, UL94 V Grade
2	PIN	35002PR	Phosphor Bronze & Tin plated
3	HOOK	35002LR	Brass & Tin-Plated

Available Pin

PARTS NO.	DIM. A	DIM. B
35002WR-02L	8.0	5.8

Specification

ITEM	SPEC
Voltage Rating	AC/DC 1400V
Current Rating	AC/DC 1A
Operating Temperature	-25°C ~ +85°C
Contact Resistance	30m Ω MAX
Withstanding Voltage	AC3800V/1min
Insulation Resistance	1000M Ω /min
Applicable Wire	-
Applicable P.C.B	1.2~1.6mm
Applicable FPC/FFC	-
Solder Height	-
Crimp Tensile Strength	-
UL FILE NO	-

Application Housing : 35001HS-NNL (178 page)