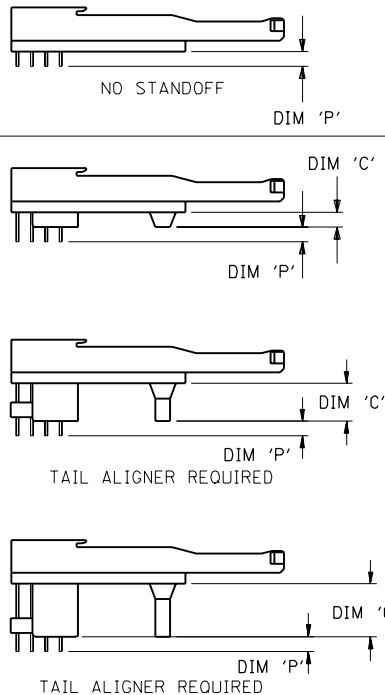


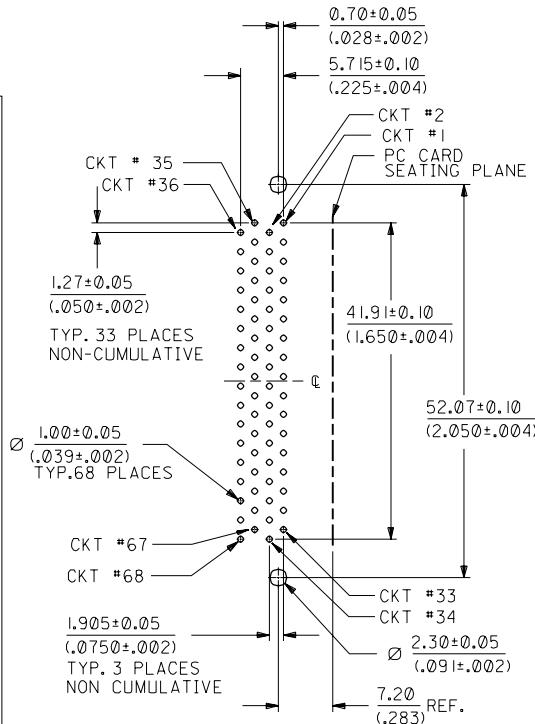
PER PCMCIA STANDARD

ITEM NUMBER	TAIL LENGTH DIM 'P' ±0.3 (±.012)	STAND OFF HEIGHT DIM 'C'	THREADED INSERT	RECOMMENDED SCREW LENGTH (SEE NOTE 7)
71078-2002	2.80 (.110)	0.00 (.000)	NO	6.0
71078-2022	2.80 (.110)	2.00 (.079)	NO	6.0 - 8.0
71078-2052	2.80 (.110)	5.00 (.197)	NO	6.0 - 12.0
71078-2082	2.80 (.110)	8.00 (.315)	NO	6.0 - 14.0
71078-2102	2.80 (.110)	0.00 (.000)	YES	6.0
71078-2122	2.80 (.110)	2.00 (.079)	YES	6.0 - 8.0
71078-2152	2.80 (.110)	5.00 (.197)	YES	6.0 - 12.0
71078-2182	2.80 (.110)	8.00 (.315)	YES	6.0 - 14.0
71078-2000	1.95 (.077)	0.00 (.000)	NO	6.0
71078-2020	1.95 (.077)	2.00 (.079)	NO	6.0 - 8.0
71078-2050	1.95 (.077)	5.00 (.197)	NO	6.0 - 12.0
71078-2080	1.95 (.077)	8.00 (.315)	NO	6.0 - 14.0
71078-2100	1.95 (.077)	0.00 (.000)	YES	6.0
71078-2120	1.95 (.077)	2.00 (.079)	YES	6.0 - 8.0
71078-2150	1.95 (.077)	5.00 (.197)	YES	6.0 - 12.0
71078-2180	1.95 (.077)	8.00 (.315)	YES	6.0 - 14.0

RECOMMENDED PCB LAYOUT CONNECTOR MOUNTED SIDE



VIEW FOR STAND OFF OPTIONS (2.0, 5.0, & 8.0 MM)



NOTES:

- HOUSING MATERIAL: LCP 30%, GF, UL 94 V-0
HOUSING COLOR: BLACK
PIN MATERIAL: PHOSPHOR BRONZE
- STANDARD PACKAGING: SEE PK-70873-047*
- REFER TO PRODUCT SPECIFICATION PSX-71078-0001
- REFER TO APPLICATION SPECIFICATION PSX-71078-0002
- DIMENSIONS WITHOUT TOLERANCE ARE SHOWN FOR REFERENCE ONLY.
- AN 'X' NEXT TO THE ITEM NUMBER INDICATES THAT THE ITEM IS NOT TOOLED.
- TYPE M2 SCREW LENGTH IS BASED ON 1.57 (.062) BOARD THICKNESS, FOR OTHER BOARD THICKNESSES, ADJUST LENGTH ACCORDINGLY.

PLATING PER ES-88

- 814 OVERALL
 Ni - 1.5 um (59 uin) MIN
 PIN TIP
 Au FLASH - 0.1 um (4 uin) MIN OVER
 PdNi - 1.0um (39 uin) MIN OVER
 Au STRIKE
 SOLDER TAIL
 SnPb - 2.5 um (98 uin) MIN

DIMENSIONS SHOWN METRIC (INCH)	
3 PLACE ± .005	---
2 PLACE ± .01	± 0.13
1 PLACE ± .25	± 0.25

MFG. SH. REV. LTR. REVISIONS

REVISION ONLY ON CAD SYSTEM

TITLE: SALES DRAWING MEMORY CARD HEADER SGL PORT, BTM MNT, THRU-HOLE

MOLEX INCORPORATED

DATE: 11/24/97

SEE TABLE SDA-71078-2

F	REVISED NOTE 2 PER UDT2000-0903 J. LONG 00/03/24
E	ADD OPTION VIEWS ECN UDT2000-0596 JANOTA 12/29/99
D2	REVISED PER ECN UDT1999-0775 SWEENEY 99/03/04
D1	REVISED PER ECN UDT1999-0062 LAM 98/07/28
D	REVISED PER EC* U81086 MDS 97/11/24
C	REVISED PER ECN U61615 HKL 96/7/9
B	REVISED PER ECN U51135 HKL 10-06-95
A	RELEASE FOR MFG ECN U50652 HKL 02-23-95
2	X-RELEASE PER ECN U50467 HKL 11-15-94
1	X-RELEASE PER ECN U50275 HKL 10-05-94