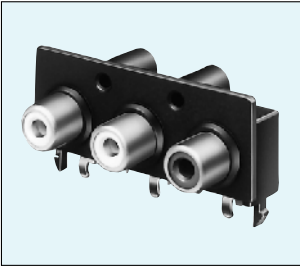
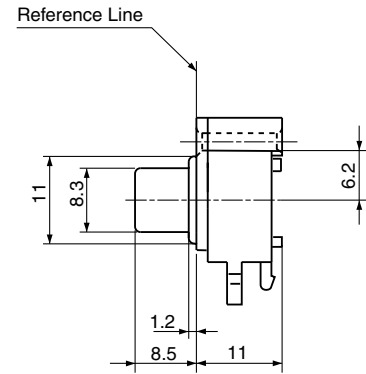
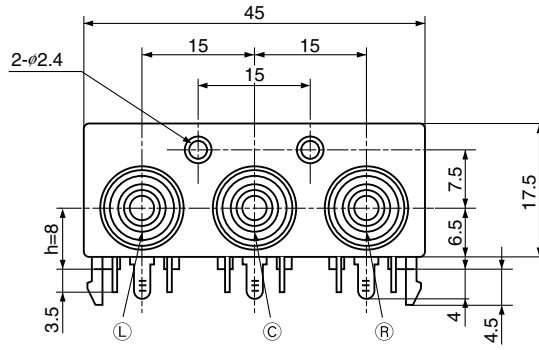


JPJ1043 / JPJ1073 Series

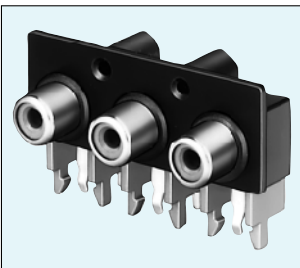
h = 8 mm



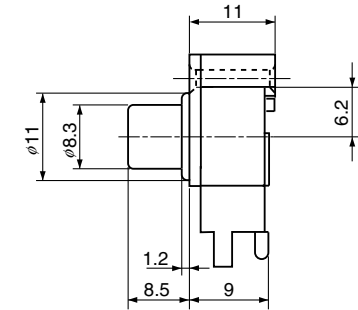
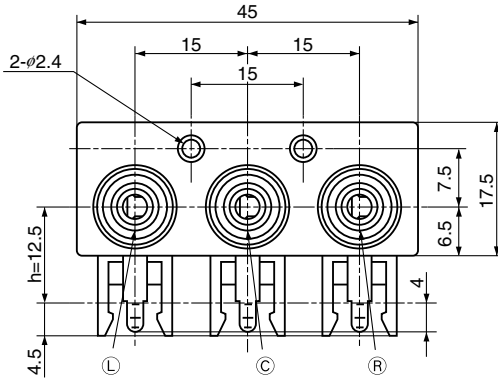
JPJ1043



h = 12.5 mm

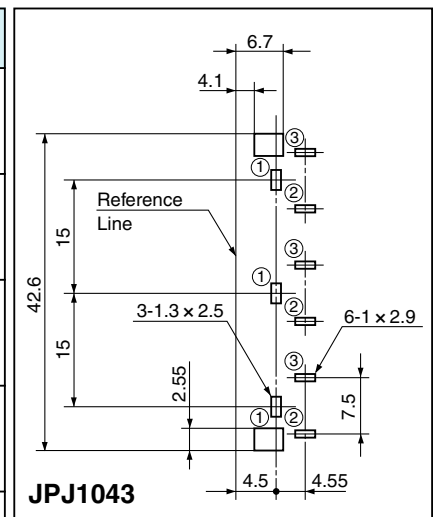


JPJ1073



* For the specification of h=6.5mm, please contact us.

Schematic	h = 6.5 mm	h = 8 mm	h = 12.5 mm
L C R			
	JPJ1201-010 _{L C R}	JPJ1143-010 _{L C R}	JPJ1211-010 _{L C R}
	JPJ1202-010 _{L C R}	JPJ1170-010 _{L C R}	JPJ0963-010 _{L C R}
	JPJ1203-010 _{L C R}	JPJ0955-01-L C R	JPJ1213-010 _{L C R}
	JPJ1204-010 _{L C R}	JPJ0951-01-L C R	JPJ1214-010 _{L C R}
	JPJ1205-010 _{L C R}	JPJ0956-010 _{L C R}	JPJ1215-010 _{L C R}
	JPJ1206-010 _{L C R}	JPJ1106-01-L C R	JPJ1216-010 _{L C R}
	JPJ1063-01-L C R	JPJ1043-01-L C R	JPJ1073-010 _{L C R}
	JPJ2063-01-L C R	JPJ2043-01-L C R	JPJ2073-01-L C R



JPJ1043
Hole Layout
(Bottom View)

Above hole layout is an example.

Color No.	
0	Without pinjack
1	Black
2	Red
3	White
4	Yellow
5	Blue