

gG, aM

NH DIMENSION KNIFE-BLADE FUSE-LINKS



NH DIMENSION KNIFE-BLADE FUSE-LINKS, FUSE BASES, AND ACCESSORIES

Ferraz Shawmut NH Fuse-links, sizes 000, 00, 0, 1, 2, 3, 4 and 4a are rated 500 or 690 Volts AC with breaking capacities of 80kA or 120kA. All fuse-links include an indicator or striker and can accept a microswitch for remote signaling. They all have silver-plated knife blades and ceramic bodies. Accessories include 1, 2, 3 or 4-pole bases, barriers, shields, terminals, microswitch, etc.

Ferraz Shawmut Circuit Protection Group is also comprised of Lindner GmbH, a major supplier of NH fuses. These fuses are now being sold to markets worldwide through the Ferraz Shawmut distribution network. For Lindner information please contact your local representative.

Standards

- DIN 57636
- NFC 63210-63211
- CEI 269-1-2-2A
- UNE 21103
- VDE 0636-2-1, 2-2
- DIN 43620

Approvals

- Lloyd's Register of Shipping
- Bureau Veritas

F

gG

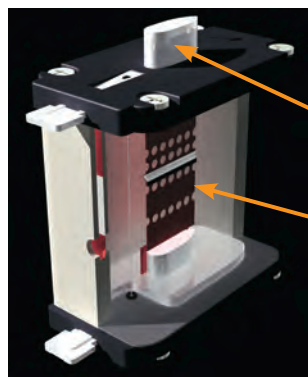
FULL RANGE PROTECTION

- Sizes 000, 00, 0, 1, 2, 3, 4, 4a
- 500 and 690 Volt ratings - 2A through 800A
- All ratings include indicator
- All equipped for microswitch mounting

gG

FULL RANGE PROTECTION Fuse-link with Striker

- Sizes 0, 1, 2, 3
- 500 and 690 Volt ratings - 32A through 630A
- All ratings include striker



aM

SHORT CIRCUIT PROTECTION

- Sizes 000, 00, 0, 1, 2, 3
- 400, 500 and 690 Volt ratings - 2A through 800A
- All ratings include indicator
- All equipped for microswitch mounting

aM

SHORT CIRCUIT PROTECTION

Fuse-link with Striker

- Sizes 0, 1, 2, 3
- 500 and 690 Volt ratings - 32A through 630A
- All ratings include striker
- Certification
DIN 57636
VDE 60269
NFC 63210, 63211
IEC 269-1, 2, 2A
UNE 21103
- Approved by Lloyds Register of Shipping and Bureau Veritas

Catalog Numbers, Ratings – gG



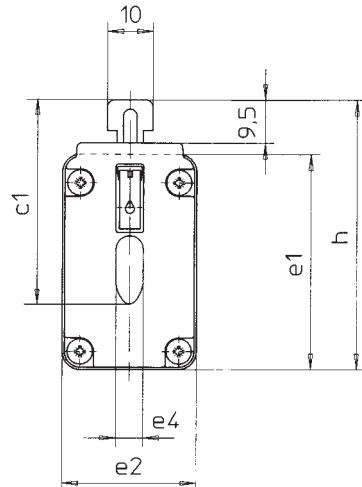
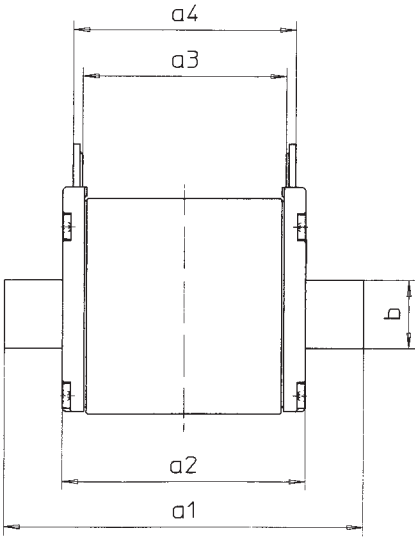
SIZE	RATED In CURRENT (A)	RATED VOLTAGE	CATALOG NUMBER	INTERRUPT RATING (A)	STD. PACK	
000	2	690V	1C613	80,000	3	
	4		1C619		3	
	6		1C623		3	
	10		1C631		3	
	16		1C635		3	
	20		1C637		3	
	25		1C639		3	
	32		1C643		3	
	35		1C645		3	
	40		1C647		3	
	50		1C651		3	
00	63	1C655	3			
	80	1C659	3			
	32	690V	1C743	80,000	3	
	35		1C745		3	
	40		1C747		3	
	50		1C751		3	
	63		1C755		3	
	80		1C759		3	
100	1C763		3			
125	1C765		3			
0	6	690V	1C023	80,000	3	
	10		1C031		3	
	16		1C035		3	
	20		1C037		3	
	25		1C039		3	
	32		1C043		3	
	35		1C045		3	
	40		1C047		3	
	50		1C051		3	
	63		1C055		3	
	80		1C059		3	
	100		1C063		3	
	125		1C065		3	
	160		1C069		3	
1	16	690V	1C135	80,000	3	
	20		1C137		3	
	25		1C139		3	
	32		1C143		3	
	35		1C145		3	
	40		1C147		3	
	50		1C151		3	
	63		1C155		3	
	80		1C159		3	
	100		1C163		3	
	125		1C165		3	
	160		1C169		3	
	200		1C171		3	
	224		500V		1B173	3
	250		1B175		3	

Table continued on next page.

gG

NH DIMENSION KNIFE-BLADE FUSE-LINKS

Catalog Numbers, Ratings – gG (cont.)



SIZE	RATED In CURRENT (A)	RATED VOLTAGE	CATALOG NUMBER	INTERRUPT. RATING (A)	STD. PACK
2	32	690V	1C243	80,000	3
	35		1C245		
	40		1C247		
	50		1C251		
	63		1C255		
	80		1C259		
	100		1C263		
	125		1C265		
	160		1C269		
	200		1C271		
	224		1C273		
	250		1C275		
	300		1C277		
	315		1C279		
355	1C281				
3	250	690V	1C375	80,000	1
	300		1C377		
	315		1C379		
	355		1C381		
	400		1C383		
	425		1C385		
500	1C387				
4	400	690V	8004.400765-L	80,000	1
	500		8004.500765-L		
	630		8004.630765-L		
	800		8004.800765-L		
4a	400	690V	8014.400765-L	80,000	1
	500		8014.500765-L		
	630		8014.630765-L		
	800		8014.800765-L		

F

Dimensions

SIZE	RATED CURRENT IN A	a ₁	a ₂	a ₃	a ₄	b	c ₁	e ₁	e ₂	e ₃	h
NH 690 V gG with VOLTAGE-CONDUCTING GRIP LUG											
SIZE 000	2-35A	79	53,8	45	49	15	35,8	40	20	6	47,8
SIZE 00	40-100A	79	53,8	45	49	15	35,8	48	30	6	47,8
SIZE 1	16-160A	135	75	64	68	20	40	44	30	6	52
SIZE 1	200A	135	75	64	68	20	40	47	39	6	52
SIZE 2	35-100A	150	75	64	68	26	48	44	30	6	60
SIZE 2	125-315A	150	75	64	68	26	60	47	39	6	72
SIZE 3	250/300A	150	75	64	68	26	60	47	39	6	72
SIZE 3	315-425A	150	75	64	68	33	60	58	51	6	72
SIZE 3	500A	150	75	64	68	33	60	70	64	6	72
SIZE 4	400-800A	200	85	64	68	33	85	104	89	8	97
SIZE 4a	400-800A	200	85	86	90	33	85	104	89	6	97

gG

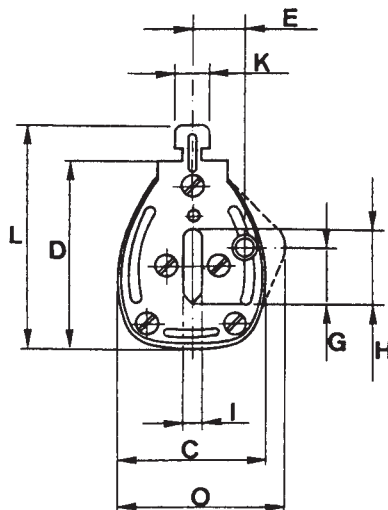
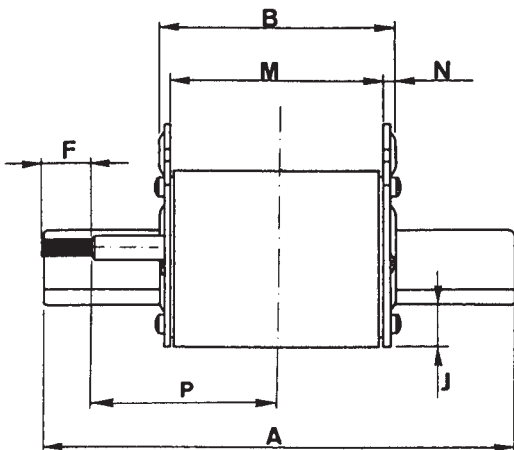
NH DIMENSION KNIFE-BLADE FUSE-LINKS

Catalog Numbers, Ratings – gG with Striker

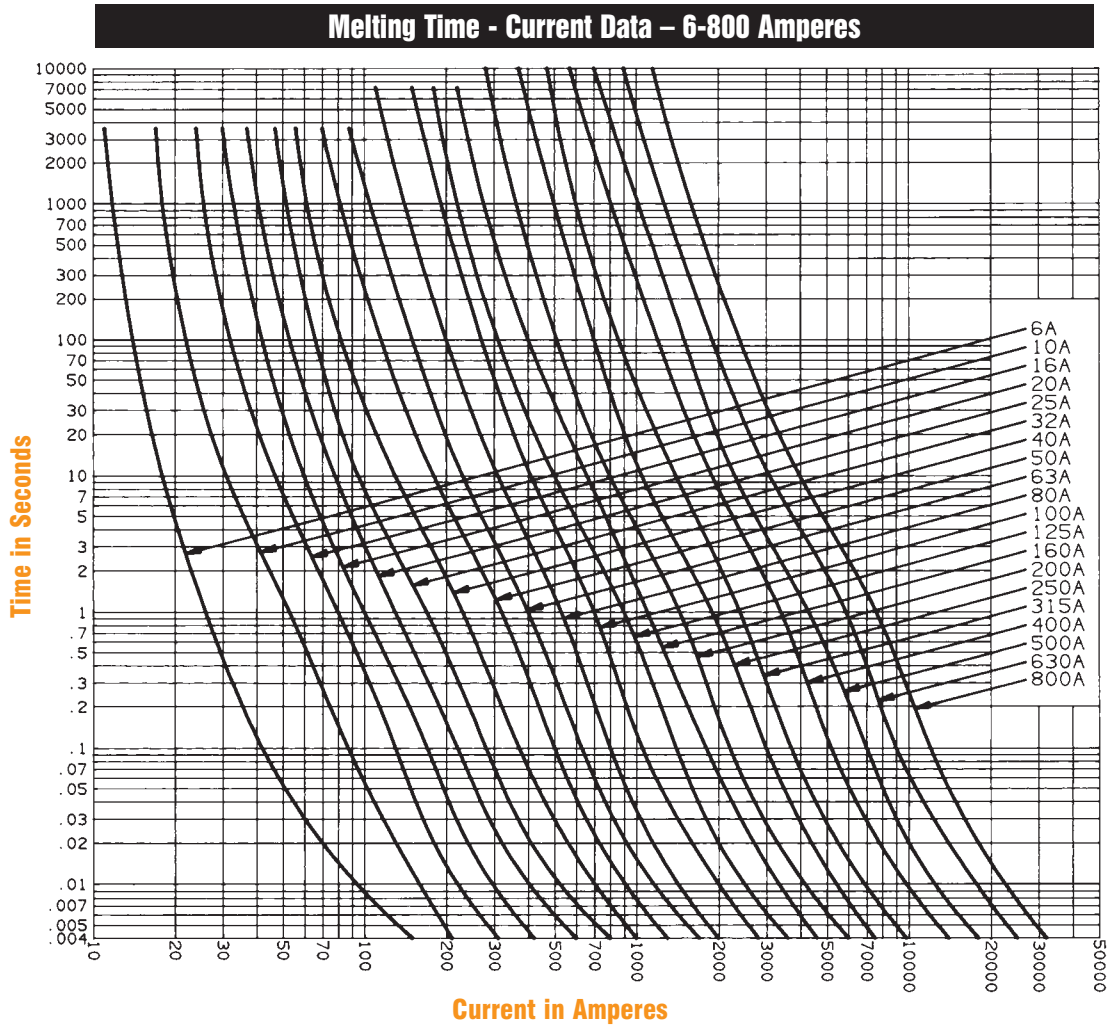


SIZE	RATED In CURRENT (A)	RATED VOLTAGE	CATALOG NUMBER	INTERRUPTING RATING (A)	STANDARD PACK
0 OS	32	690V	36443-G	80,000	3
	35		36445-G		
	40		36447-G		
	50		36451-G		
	63		36455-G		
	80	36459-G			
	100	36463-G			
	125	500V	36465-G	120,000	
160	36469-G				
200	36471-G				
1	80	690V	36559-G	80,000	3
	100		36563-G		
	125		36565-G		
	160		36569-G		
	200		36571-G		
	224	500V	36573-G	120,000	
	250		36575-G		
	315		36579-G		
355	36581-G				
2	125	690V	36665-G	80,000	3
	160		36669-G		
	200		36671-G		
	224		36673-G		
	250		36675-G		
	315	500V	36679-G	120,000	
	355		36681-G		
	400		36683-G		
500	36687-G				
3	315	690V	36779-G	80,000	3
	355		36781-G		
	400		36783-G		
	500		36787-G		
	630	500V	36789-G	120,000	

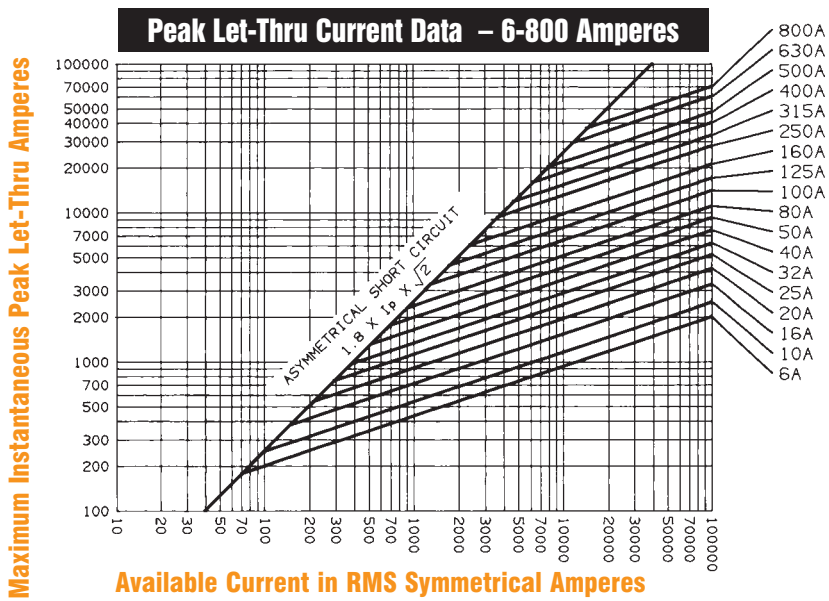
Dimensions



	0	1	2	3
A	124.5	134.5	150	150
B	66	67	67	67
C	39	40	56	69
D	49	55	62.5	76
E	14.5	16	19	24
F	15.5	15.5	15.5	15.5
G	14	14.5	14.5	14.5
H	15	20	26	32
I	6	6	6	6
J	14	14	15	16
K	10	10	10	10
L	59	65	72.5	86
M	60	61	61	61
N	3	3	3	3
O	41.5	45	-	-
P	47	52	60	60



F



Striker

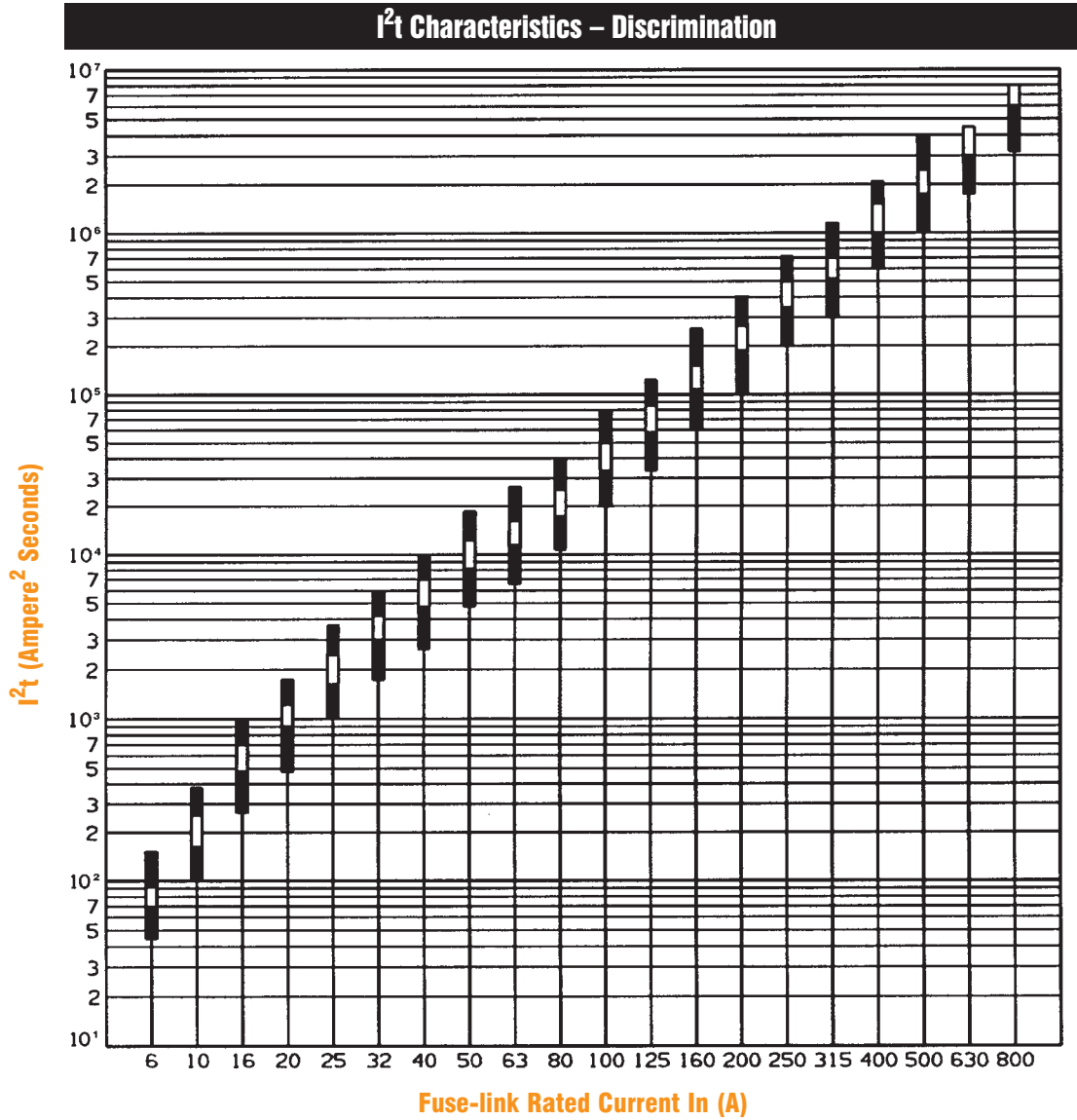


Power Loss (Watts) at Rated Current without striker

RATED In CURRENT (A)	SIZE					
	000	00	0	1	2	3
2	1.9					
4	1.5					
6	1.6	1.6	2.0			
10	1.1	1.1	1.4			
16	1.6	1.8	2.2	2.2		
20	2.3	2.3	2.9	2.9		
25	2.4	2.4	3.0	3.0		
32	3.1	3.1	3.8	3.8	3.8	
35	3.0	3.0	3.7	3.7	3.7	
40	3.7	3.7	4.6	4.6	4.6	
50	3.6	3.6		5.0	5.0	
63	4.4	4.4		5.9	5.9	
80			8.3	8.1	8.1	
100		10.0	11.3	11	11.0	
125				12	12.0	
160				15	15.0	
200				19	19.0	
225				21.3	21.3	21.3
250				22.6	22.6	22.6
315					25.4	28.0
355					28.5	

RATED In CURRENT (A)	00	0	1	2	3	4
	100A	160A	250A	400A	630A	1000A
VDE 0660 (500V) IEC 269-2-1 (690V) UNE 21103 (500V) NFC 63210 (500V)	12.0 W	25 W	32 W	45 W	60 W	90 W
VDE 0636 (690V)	10.0 W	-	23 W	34 W	48 W	70 W
VDE 0636 (500V)	7.5 W	16 W	23 W	34 W	48 W	110 W
IEC 269 (500V)	7.5 W	16 W	23 W	34 W	48 W	90 W
UNESA (500V)	-	17 W	26 W	32 W	48 W	-
WDE W (500V)	7.5 W	16 W	21 W	32 W	42 W	-

Typical values allowed by the standards.



F

