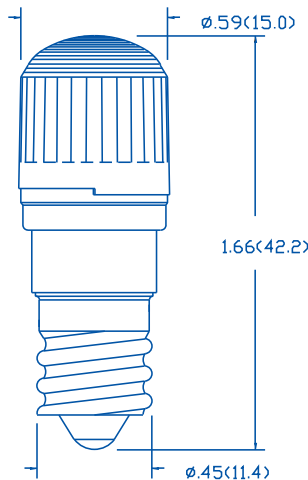




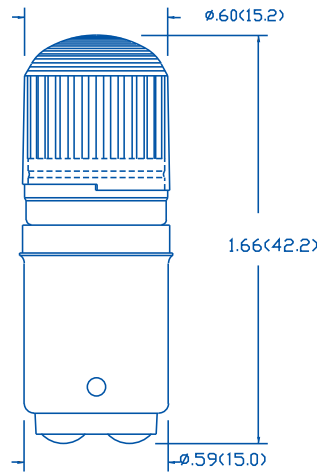
- Candelabra Screw Base
- Double-Contact Bayonet Base
- Built-in shunt resistor (optional)
- Bi-Polar
- High-Intensity
- Up to 100,000-hour life
- Shock and vibration resistant

INCANDESCENT LAMP #	PowerLine® PART # STANDARD	PowerLine® PART # WITH SHUNT RESISTOR	APPLIED VOLTAGE	MAXIMUM VOLTAGE	FIG #
3S6/120V	6S6L120-CWX	6S6LS120-CWX	120AC/DC	130	1
6S6/30V	6S6L30-CWX	6S6LS30-CWX	30AC/DC	33	1
6S6/120V	6S6L120-CWX	6S6LS120-CWX	120AC/DC	130	1
6S6DC/120V	6S6DCL120-CWX	6S6DCLS120-CWX	120AC/DC	130	2
6S6/130V	6S6L130-CWX	6S6LS130-CWX	130AC/DC	140	1
6S6DC/130	6S6DCL130-CWX	6S6DCLS130-CWX	130AC/DC	140	2
6S6/155V	6S6L155-CWX	6S6LS155-CWX	155AC/DC	165	1

LED COLOR CODE	EMITTED COLOR	Used to illuminate the following lenses							
		Red	Orange	Amber	Yellow	Green	Blue	White	Clear
-CWR	Red	*						*	*
-CWO	Orange		*	*				*	*
-CWA	Amber			*	*			*	*
-CWG	Green					*		*	*
-CWB	Blue						*	*	*
-CWW	White							*	*



6S6L  
Figure 1



6S6DCL  
Figure 2

All dimensions are in inches (mm) Tolerances: .xx"(.x) ±0.25"(.63)/ .xxx"(.xx)±.010"(.25) Specifications are subject to change without notice.