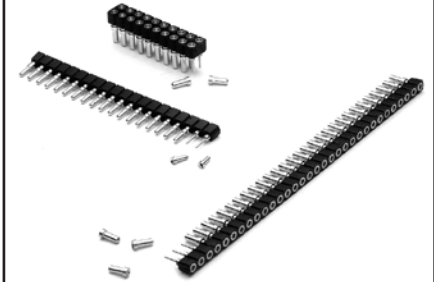


- Low profile receptacles sit 0,79 above board.
- Series 714 uses M-M# 1401 & 1407 pin receptacles. See page 126 for details.
- Hi-Rel 4-finger BeCu #30 contact is used in the 1401 receptacle and a #11 contact is used in the 1407. Both are rated at 3 amps. See pages 206 & 208 for details.



Ordering Information

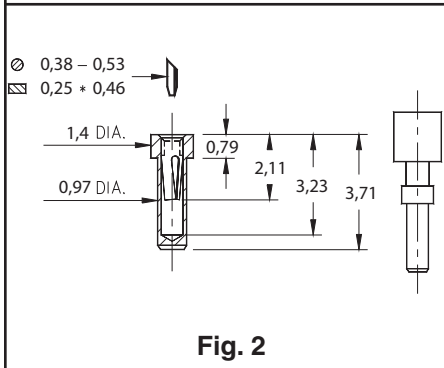


Fig. 1	Single Row (1,4 min. mounting hole)
	714-XX-1__-41-001000 Specify # of pins → 01-64

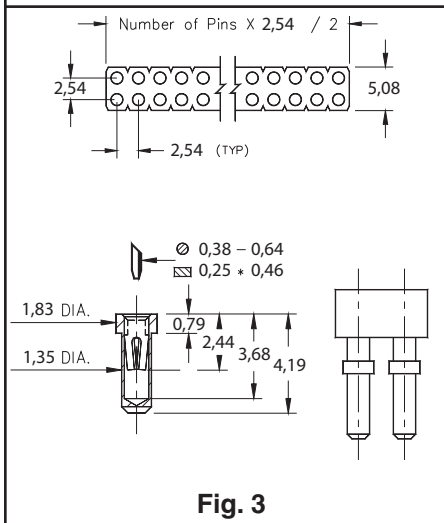


Fig. 2	Single Row (0,99 min. mounting hole)
	714-XX-1__-31-007000 Specify # of pins → 01-64

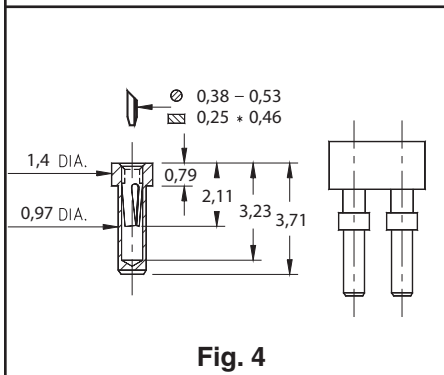


Fig. 3	Double Row (1,4 min. mounting hole)
	714-XX-2__-41-001000 Specify # of pins → 02-64
Fig. 4	Double Row (0,99 min. mounting hole)
	714-XX-2__-31-007000 Specify # of pins → 02-64

XX=Plating Code
See Below

RoHS
2002/95/EC

*For RoHS compliance, select **◇** plating code. For the all gold option (XX=13) also change part number from 71X-XX-XXX-X1-00X000 to 71X-13-XXX-X1-00X100*

SPECIFY PLATING CODE XX=	13◇	93	99	43◇	44◇
Sleeve (Pin)	0,25µm Au	5,08µm Sn/Pb	5,08µm Sn/Pb	5,08µm Sn	5,08µm Sn
Contact (Clip)	0,76µm Au	0,76µm Au	5,08µm Sn/Pb	0,76µm Au	5,08µm Sn