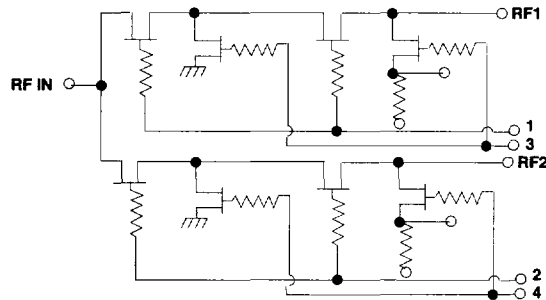
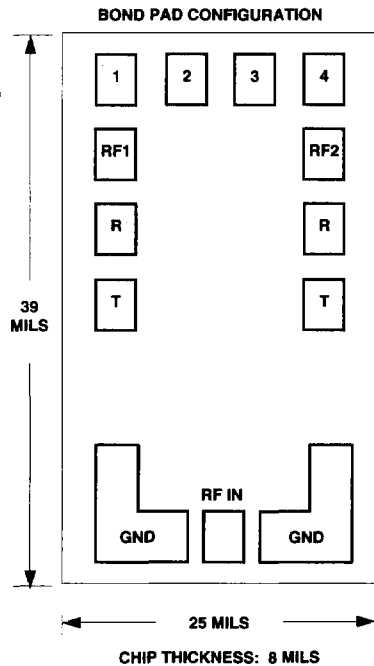
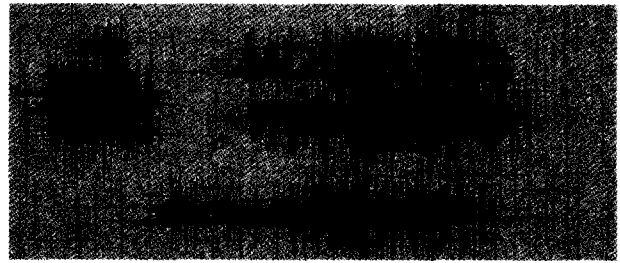


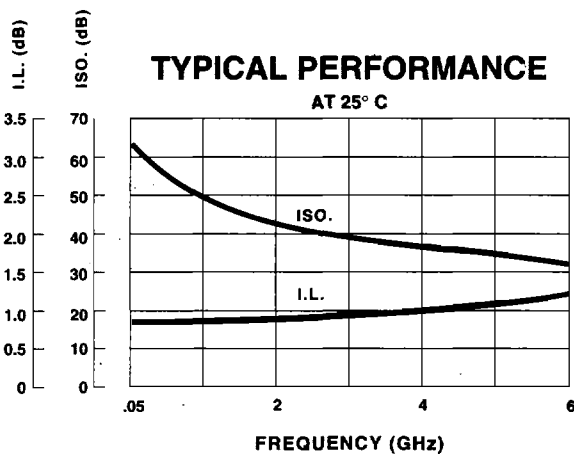
FEATURES

- DC to 6 GHz Frequency Range
- High Isolation
- 3 nSec Switching Speed
- On-Chip Terminating Resistors
- 4 Line or 2 Line Control
- Ultra Low DC Power Consumption
- Plastic Package Available-P/N P35-4227-3



MMIC

LOGIC TABLE						
	1	2	3	4	RF IN → RF 1	RF IN → RF 2
4 LINE CONTROL	0	0	-5	-5	LOW LOSS	ISOLATED
	-5	-5	0	0	ISOLATED	LOW LOSS
	0	-5	-5	0	ISOLATED	ISOLATED
2 LINE CONTROL	1&2		3&4			
	0	-5			LOW LOSS	ISOLATED
	-5	0			ISOLATED	LOW LOSS



GUARANTEED PERFORMANCE

TERMINATED OPERATION @ 25°C

PARAMETER	MIN	TYP	MAX	UNITS	CONDITIONS
OPERATING FREQUENCY	DC		6	GHz	
CONTROL VOLTAGE					SEE LOGIC TABLE
INSERTION LOSS		0.7	1.0	dB	DC
		1.0	1.2	dB	4 GHz
		1.2	1.5	dB	6 GHz
ISOLATION	57	60		dB	DC
	36	40		dB	4 GHz
	30	33		dB	6 GHz
VSWR: INPUT		1.1/1	1.2/1		DC
		1.1/1	1.3/1		4 GHz
		1.2/1	1.5/1		6 GHz
IMPEDANCE		50		OHMS	
SWITCHING SPEED		3		nSEC	
RF POWER: 0/-8V CONTROL		+22		dBm	1.0 dB COMP. @ 50MHz
		+29		dBm	1.0 dB COMP. ABOVE 500 MHz

NOTES:

1. FOLLOW RECOMMENDED MOUNTING INSTRUCTIONS.
2. REFLECTIVE OPERATION: GROUND PADS GND AND R
3. TERMINATED OPERATION; GROUND PADS GND AND T