

# RR & LRR-Series Round Rocker Switches

*Looking for an economical, rugged, easy to install round rocker switch?  
Carling Technologies has the solution.*

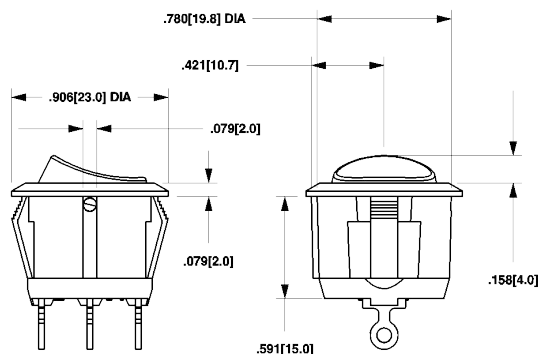
Carling Technologies' new RR and LRR-Series round rocker switches feature a unique sculpted rocker design, and electrical ratings up to 12A 125VAC, 10A 250VAC. The RR-Series is available with custom imprinting, and the lighted LRR-Series will be available with dependent or independent, neon or incandescent illumination, with red, green, amber or white translucent rockers. Installation is a snap, as this switch fits industry standard cutouts.

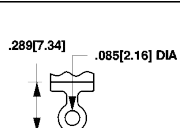
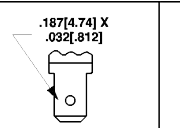

This switch is ideal for many applications including Appliance, Vacuum cleaners, Office Automation, Food Service, Audio Visual, and Test and Measurement.

**Product Availability:** *Samples and production quantities of non-lighted RR-Series ON-OFF circuits are now available. All other circuits, and the LRR-Series lighted version will be available 3Q07.*

#### Key Features/Benefits of the RR/LRR line:

- **Ratings:** Up to 12A 125VAC, 10A 250VAC 1/4HP
- **Dielectric:** 1000V live to dead metal parts & opposite polarity
- **Endurance:** 50,000 cycles electrical, 100,000 cycles mechanical
- **Contacts:** Silver-plated butt action contact mechanism
- **Rocker Design:** Sculpted/Curved
- **Mounting Hole:** Industry standard, 20.2 mm dia
- **Markings:** Standard or custom
- **Agency Certifications:** UL,CUL (VDE available 4Q07)
- **Circuits:** Single pole maintained and momentary
- **Terminations:** .187 tabs, .187 solder lugs, wire leads



 SOLDER LUG	 .187 TAB (Q.C)	 WIRE LEAD
TERMINAL TYPE		

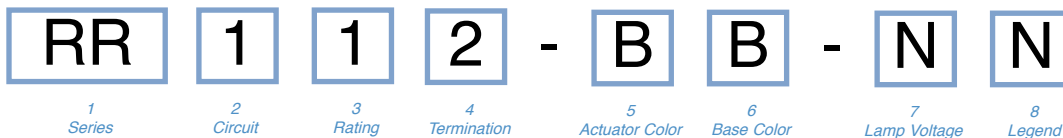
#### Product Bulletin #116 April 2007

**Carling Technologies, Inc.**  
60 Johnson Avenue  
Plainville, CT 06062-1177

Phone: (860) 793-9281  
Fax: (860) 793-9231  
Email: sales@carlingtech.com  
Web: carlingtech.com



# RR & LRR-Series Round Rocker Switch Catalog Ordering Scheme



## 1 SERIES<sup>2</sup>

SINGLE POLE MINIATURE ROUND ROCKER

Solid Rocker	<b>RR</b>
Lighted Rocker	<b>LRR</b>

## 2 CIRCUIT

**RR-Series (Non-Illuminated)**

1	ON-NONE-OFF
2	(ON)-NONE-OFF
3	ON-NONE-(OFF)
4	ON-NONE-ON
5	ON-NONE-(ON)
6	ON-OFF-ON
7	ON-OFF-(ON)
8	(ON)-OFF-(ON)

**LRR-Series (Illuminated)**

<b>A</b>	ON-NONE-OFF, dependent lamp
<b>B</b>	ON-NONE-OFF, independent lamp
<b>C</b>	(ON)-NONE-OFF, dependent lamp
<b>D</b>	(ON)-NONE-OFF, independent lamp
<b>E</b>	ON-NONE-(OFF), dependent lamp
<b>F</b>	ON-NONE-(OFF), independent lamp

## 3 RATING

1	10A, 125-250VAC; 12A 125 VAC 1/4 HP 125-250VAC
2	10A, 125-250VAC 1/4 HP
3	10A, 250VAC ~ T85; 6(4)A, 250V ~ 5E4 T85
4	8A, 125-250VAC; 1/4 HP 125-250VAC; 6(4)A, 250V ~ $\mu$ T85; 4(2)A, 250V ~ $\mu$ 5E4 T85
5	8A, 125-250VAC; 1/4 HP 125-250VAC; 10A 14V
6	12A, 125VAC 1/4 HP; 6A, 250VAC 1/4 HP
7	.4VA 28VDC resistive
8	8A, 125-250VAC 1/4 HP
9	10A, 28V; 12A, 125 VAC 1/4 HP; 6A, 250VAC 1/4 HP

## 4 TERMINATION

1	Solder Lug
2	.187 Tab
5	Wire Leads (8" standard)

## 5 ACTUATOR COLOR

**RR-Series (Non-Illuminated) Solid Color**

<b>B</b>	Black
<b>W</b>	White
<b>R</b>	Red

**LRR-Series (Illuminated) Transparent Color**

1	Amber
2	Red
3	Blue
4	Green
5	Clear

## 6 BASE COLOR

<b>B</b>	Black
<b>W</b>	White

## 7 LAMP VOLTAGE

<b>N</b>	None (RR-Series - Non-Illuminated)
1	Unballasted LED 3V
<b>A</b>	6V Incandescent
<b>C</b>	12V Incandescent
<b>E</b>	18V Incandescent
<b>H</b>	24V Incandescent
<b>J</b>	125V Neon
<b>K</b>	250V Neon

## 8 ROCKER FACE LEGEND

<b>N</b>	No imprinting
<b>A</b>	ON-OFF (vertical)
<b>B</b>	ON-OFF (horizontal)
<b>D</b>	I-O (horizontal)
<b>E</b>	I-O (vertical)
<b>F</b>	O (on rocker end)
<b>G</b>	II-O-I (vertical)
<b>H</b>	II-O-I (horizontal)
<b>J</b>	OFF-ON (vertical)
<b>K</b>	OFF-ON (horizontal)

## Warranty Policy

Carling Technologies, Inc. (Seller) warrants that goods sold hereunder shall be free of defects in material and workmanship for one year from date of shipment.

In the event of such defects, the Seller's only obligation shall be the replacement or the cost of the defective goods, themselves, excluding, without limitation, labor costs, which are or may be required in connection with the replacement or reinstallation of the goods. This warranty is the Seller's sole obligation and excludes all other remedies or warranties, express or implied, including warranties of merchantability and fitness for a particular purpose, whether or not purposes or specifications are described herein. This Warranty expressly excludes any and all incidental, special and/or consequential damages of any nature.

Seller further disclaims any responsibility for injury to person or damage to or loss of property or value caused by any product which has been subjected to misuse, negligence, or accident; or misapplied, or modified or repaired by a person or persons not authorized by the Seller or which have been improperly installed.

## NOTES

- 1 For additional rating requirements, consult factory.
- 2 Custom colors are available, consult factory.
- 3 Shading indicates available options. Other options available 3Q2007.