

High L Filter Inductors – 1812FS Series



These shielded chip inductors have been specially designed for high performance in transmit and receive filters. They feature high inductance, an exceptionally wide frequency range, low DC resistance and magnetic shielding to reduce crosstalk.

Only 3,81 mm high, these inductors have a ferrite cover that provides magnetic shielding and the best possible surface for pick and place handling.

To request free evaluation samples, contact Coilcraft or visit www.coilcraft.com.

Part number ¹	L ² (μ H)	Percent ³ tol	Q ⁴ min	DCR ⁵ max (Ohms)	SRF ⁶ typ (MHz)	Isat ⁷ (mA)	Irms ⁸ (mA)
1812FS-683_X_	68	10,5	45	1.8	22.0	300	650
1812FS-154_X_	150	10,5	40	3.8	3.4	210	475
1812FS-224_X_	220	10,5	45	5.4	3.0	160	390
1812FS-274_X_	270	10,5	35	6.5	2.0	120	350
1812FS-334_X_	330	10,5	45	6.8	3.0	140	310
1812FS-394_X_	390	10,5	45	7.6	2.6	120	310
1812FS-474_X_	470	10,5	35	8.7	2.10	110	280
1812FS-564_X_	560	10,5	20	11.2	1.60	100	280
1812FS-684_X_	680	10,5	25	12.7	1.90	100	250
1812FS-824_X_	820	10,5	25	16.8	1.45	90	210
1812FS-105_X_	1000	10,5	30	19.5	1.68	90	160

1. When ordering, please specify **tolerance** and **packaging** codes:

1812FS-105 **J** **C**

Tolerance: **J** = 5% **K** = 10%
(Table shows stock tolerances in bold.)

Packaging: **C** = 7" machine-ready reel. EIA-481 embossed plastic tape (600 parts per full reel).

B = Less than full reel. On tape, but not machine ready. To have a leader and a trailer added (\$25 charge), use code letter C instead.

D = 13" machine-ready reel. EIA-481 embossed plastic tape (2200 parts per full reel).

- Inductance measured at 100 kHz, 0.1 Vrms, 0 Adc using a Coilcraft SMD-A fixture in an Agilent/HP 4263B impedance analyzer.
 - Tolerances in bold are stocked for immediate shipment.
 - Q measured at 1 MHz on an Agilent/HP 4291A with an Agilent/HP 16193 test fixture.
 - DCR measured on a micro-ohmmeter and a Coilcraft CCF840 test fixture.
 - SRF measured using an Agilent/HP 8753D network analyzer and a Coilcraft SMD-D test fixture.
 - DC current at which the inductance drops 10% (typ) from its value without current.
 - Average current for a 40°C rise above 25°C ambient.
 - Operating temperature range -40°C to +85°C.
 - Electrical specifications at 25°C.
- See Qualification Standards section for environmental and test data.

Coilcraft[®]

Specifications subject to change without notice.

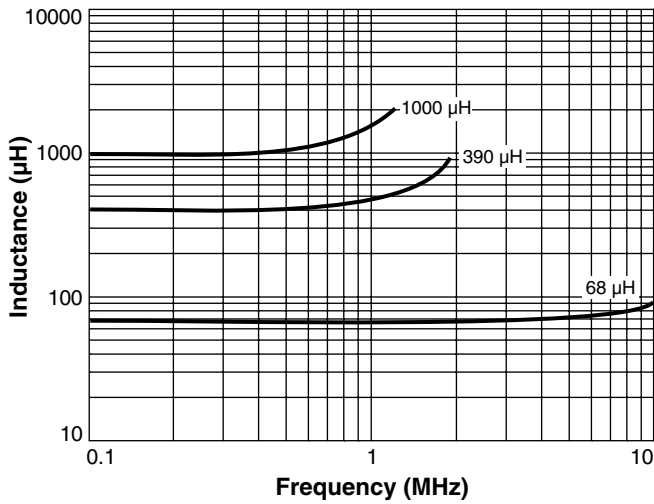
Please check our website for latest information. Document 254-1 Revised 04/13/05

1102 Silver Lake Road Cary, Illinois 60013 Phone 847/639-6400 Fax 847/639-1469

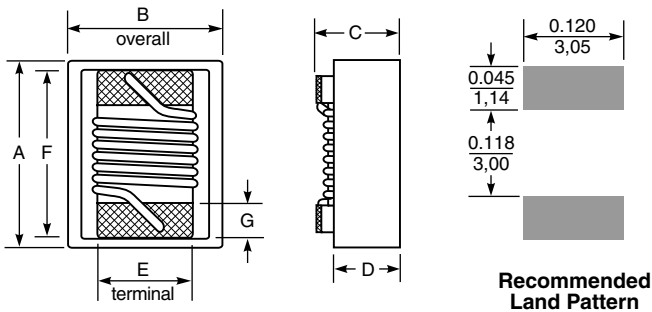
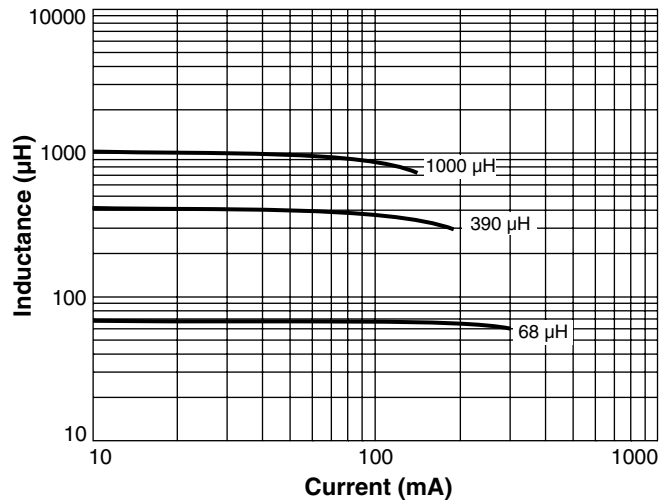
E-mail info@coilcraft.com Web <http://www.coilcraft.com>

High L Filter Inductors – 1812FS Series

Typical L vs Frequency



Typical L vs Current



A max	B max	C max	D ref	E ref	F ref	G
0.231	0.196	0.150	0.107	0.100	0.178	0.025
5,87	4,98	3,81	2,72	2,54	4,52	0,64

Terminations: Silver-palladium-platinum
Tape and reel: 600/7" reel; 2200/13" reel 12 mm tape width
 For packaging data see Tape and Reel Specifications section.



Specifications subject to change without notice.
 Please check our website for latest information. Document 254-2 Revised 12/14/04

1102 Silver Lake Road Cary, Illinois 60013 Phone 847/639-6400 Fax 847/639-1469
 E-mail info@coilcraft.com Web http://www.coilcraft.com