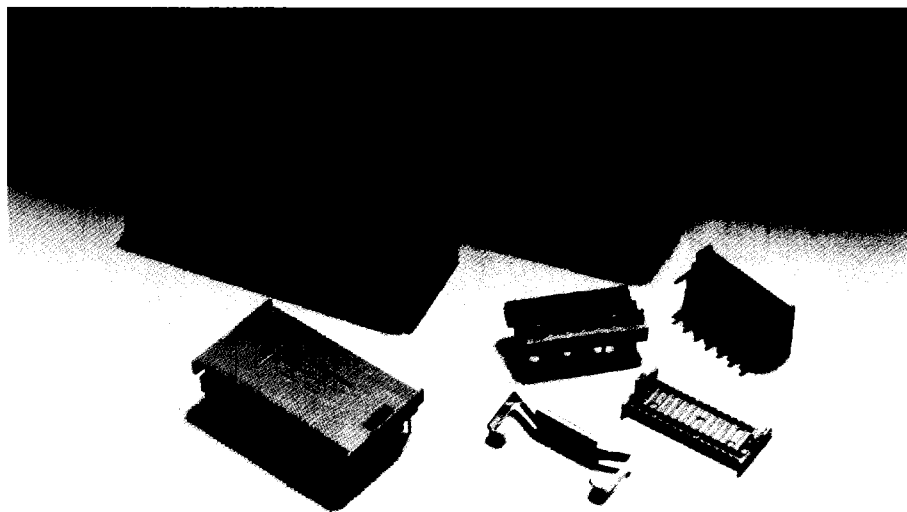



Amphenol® IDC dip plugs — 815 series



description

The Amphenol 815 series IDC dip plug connectors feature a low-profile body design with an installed height of .210" to allow high-density packaging. The unique cover permits cable entry from top or side within the dimensions of the body. These dip plug connectors can be inserted into dual-in-line sockets or soldered directly to PC boards to allow for flat cable interconnections. Contact pins are duplex plated to provide low contact resistance and have dimensions of .014" x .018".

benefits

- Low profile design
- Top or side cable entry
- Mounts to board or DIP socket
- Compatible with standard IC sockets
- Duplex plated contacts
- Stainless steel strain reliefs
- UL and CSA recognized 

characteristics

Physical

Contact spacing: 14 and 16 pins: .100"
× 300"; 24 and 40 pins: .100"
× .600"

Number of contacts: 14, 16, 24 and 40

Contact material: Phosphor Bronze

Contact plating: tin or gold in mating area, solder plated tails

Insulator material: glass reinforced polyester, UL flammability rating 94 V-O

Wire accommodations: AWG 26 stranded; AWG 28 stranded and solid; AWG solid, all on .050" centers

Electrical

Current rating: 1 amp

Dielectric withstanding voltage: 500 VAC RMS

Insulation resistance: >5 x 10⁹ ohms

Operating temperature: -55°C to +105°C (-67°F to +221°F)

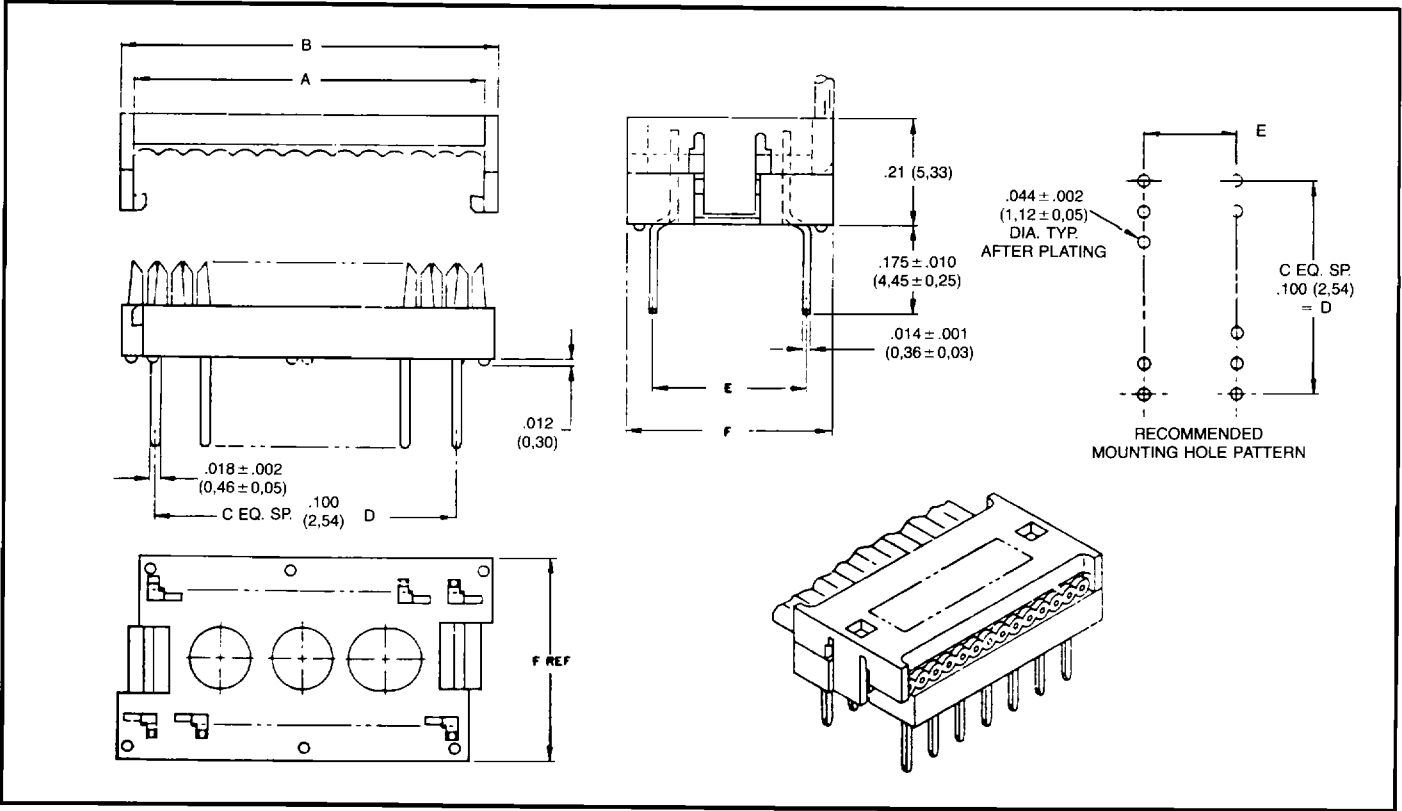
order information

		842-815-	XX01-	1	XX
number of contacts:	14, 16, 24, 40				
strain relief:	1 – without strain relief 4 – with strain relief				
plating:	03 = 150-300μ in. tin overall 18 = 15μ in. gold tail, tin mating area 34 = 30μ in. gold tail, tin mating area				

Blue type indicates standard, available product.

Amphenol® IDC dip plugs — 815 series

dimensions



Number of Contacts	Part Number	Dimensions — Inches (mm)						
		A	B	C	D	E	F	G
14	842-815-1401-XXX	.700 (17,78)	.750 (19,05)	6	.600 (15,24)	.300 (7,62)	.400 (10,16)	.100 (2,54)
16	842-815-1601-XXX	.800 (20,32)	.850 (21,59)	7	.700 (17,78)	.300 (7,62)	.400 (10,16)	.100 (2,54)
24	842-815-2401-XXX	1.200 (30,48)	1.250 (31,75)	11	1.100 (27,94)	.600 (15,24)	.700 (17,18)	.200 (5,08)
40	842-815-4001-XXX	2.000 (50,80)	2.050 (52,07)	19	1.900 (48,26)	.600 (15,24)	.700 (17,78)	.200 (5,08)

strain reliefs

Size	Part Number
14	842-800-1515-002
16	842-800-1515-003
24	842-800-1515-006
40	842-800-1515-007

