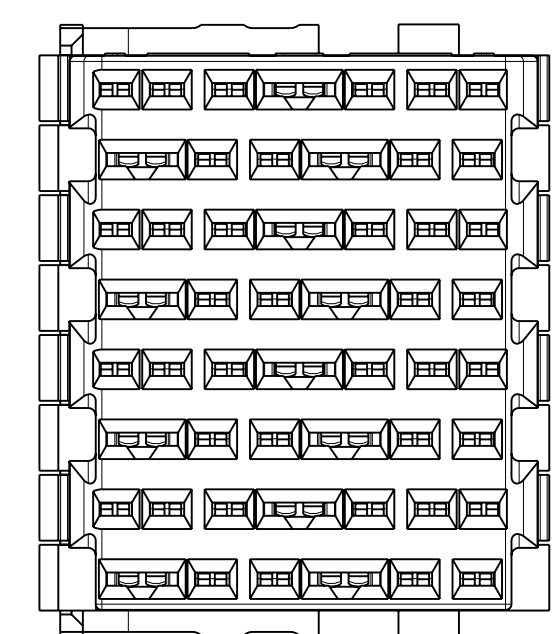
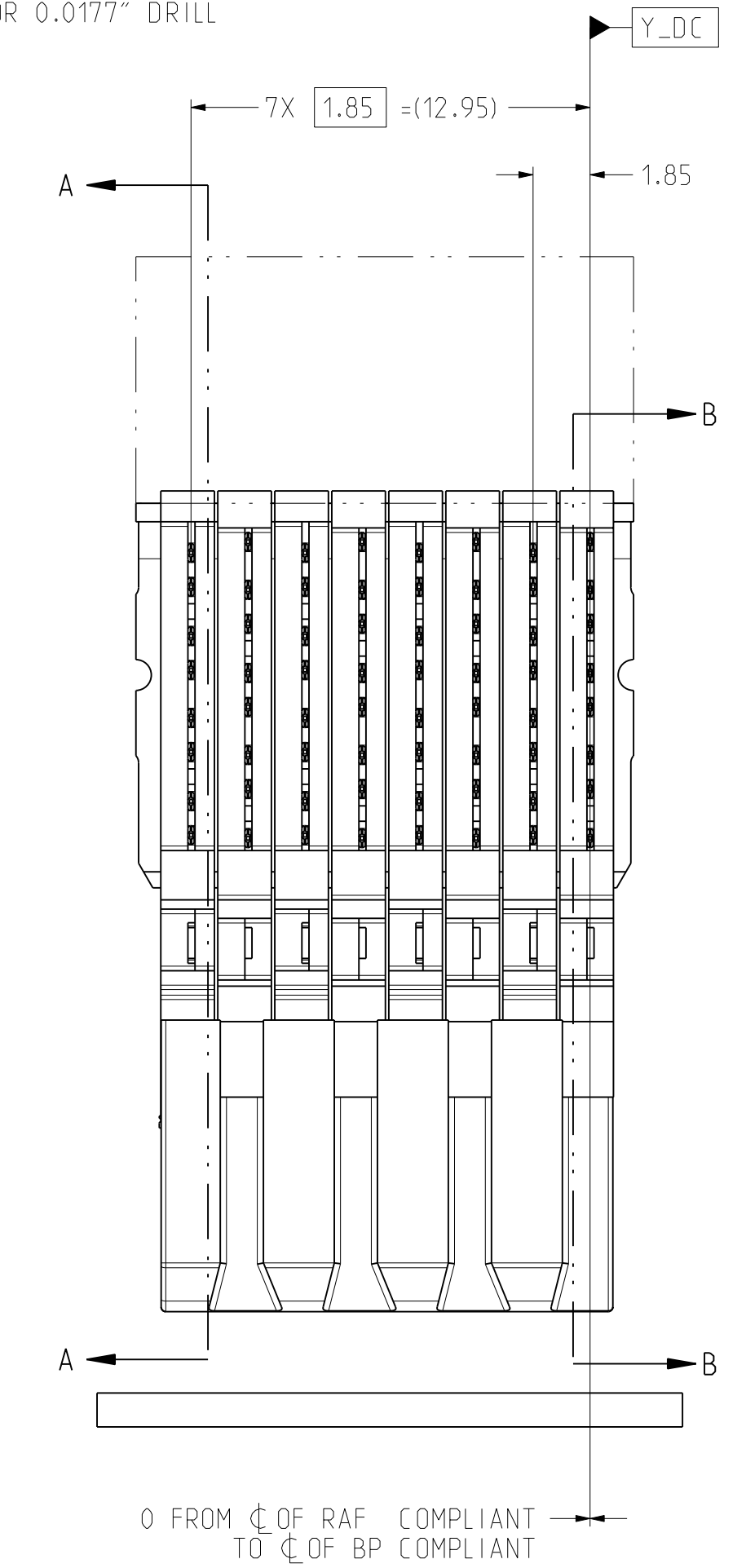
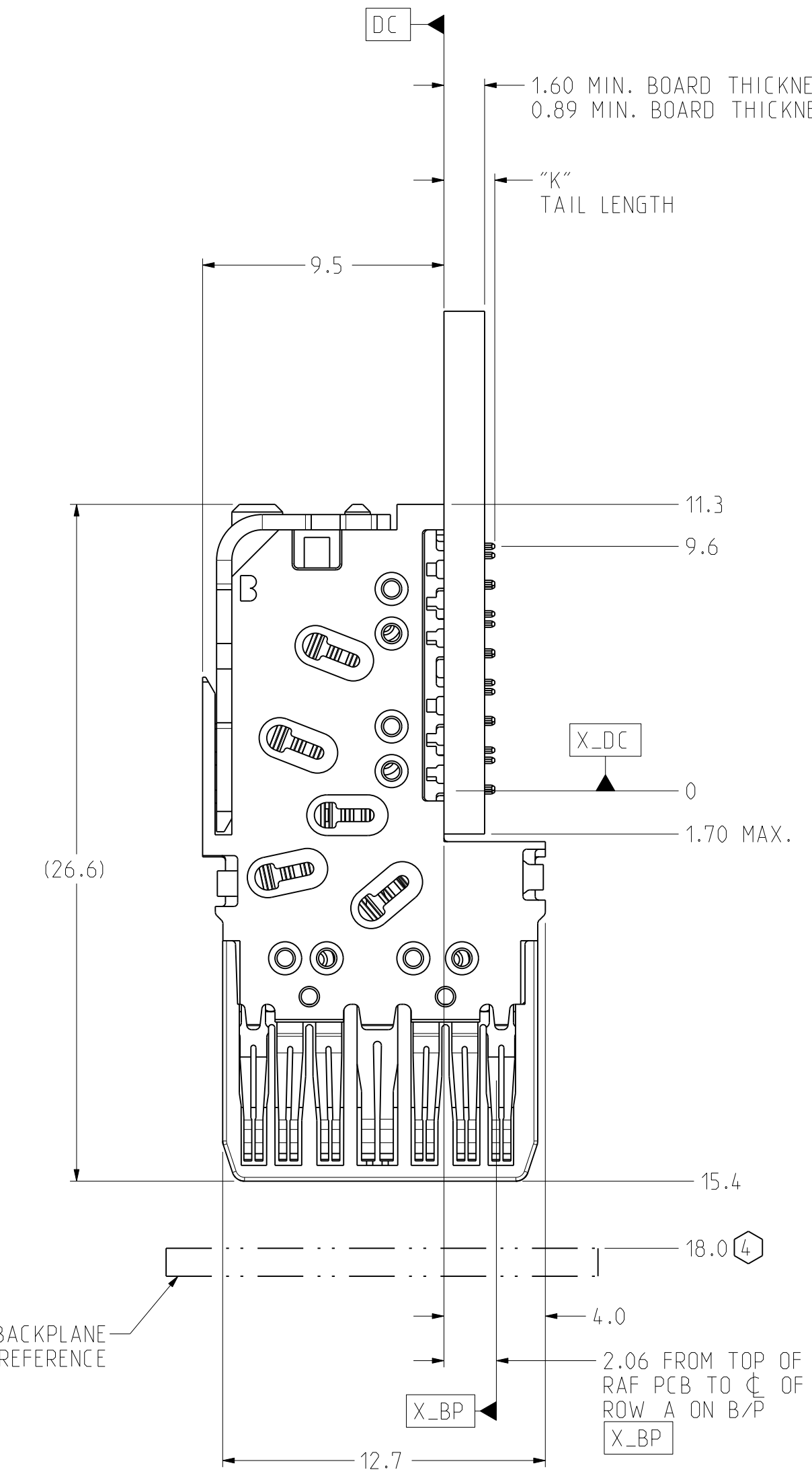
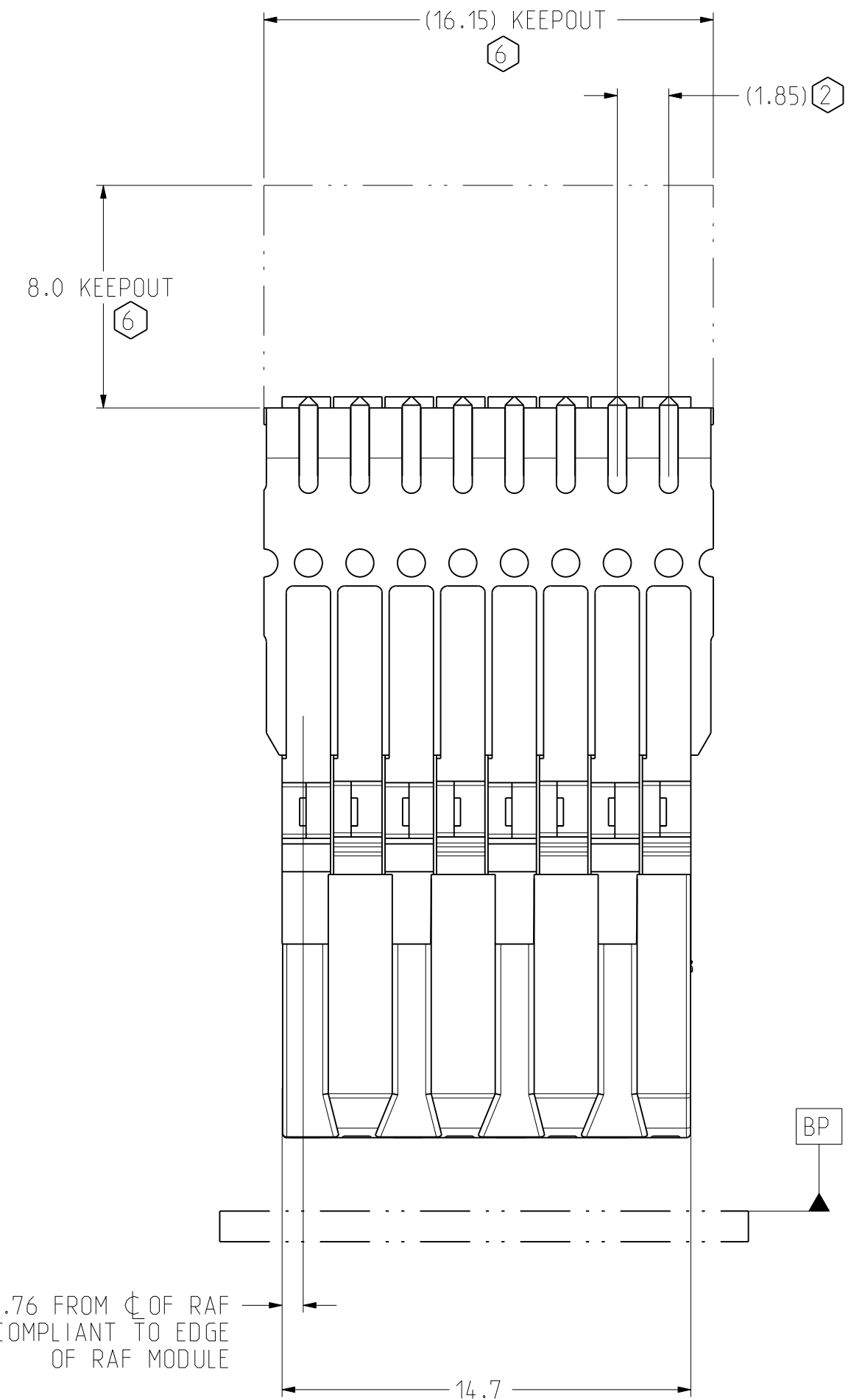
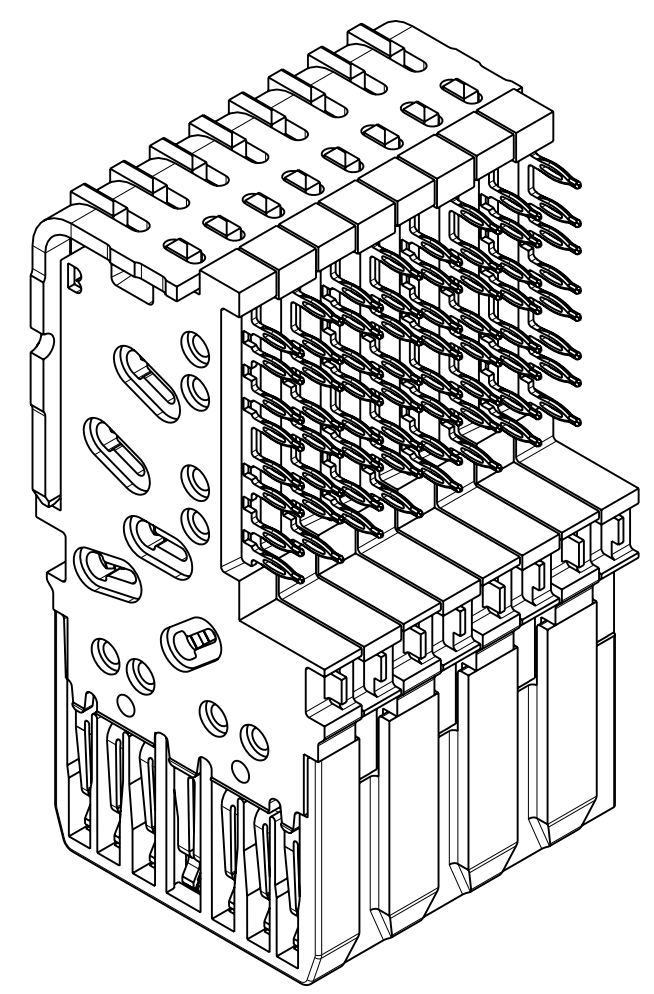


ZONE	REV	SCR NUMBER	DESCRIPTION	BY	DATE	APPROVED
ALL	01		INITIAL	C.LEIGHTON	07/07/2007	A.PFAHNL
	02		CLEANED	C.LEIGHTON	09/05/2007	A.PFAHNL
	3.0		ADDED 0.76 DIM	GIROUX	02/17/2008	A.PFAHNL
	4.0		UPDATED DRW FOR LOW SPEED MODULE AND ADDED SHEET 2	HCL-GM	02/25/2009	D.MANTER
	5.0		FIX LOW SPEED DIFFERENTIAL PART NUMBERS; ADD 85Ω LOW SPEED	D.MANTER	9/21/2009	D.MANTER

PART NUMBER	COMPLIANT PIN	IMPEDANCE	DESCRIPTION	PLATING	DIM "K"
950-220A-B1B	Ø0.0225"	100Ω	HIGH SPEED DIFFERENTIAL	30 MICROINCH GOLD	2.0
950-220A-B1C				50 MICROINCH GOLD	
950-220A-B1D				30 MICROINCH GOLD, LEADFREE	
950-220A-B1E				50 MICROINCH GOLD, LEADFREE	
950-220C-B1B	Ø0.0225"	85Ω	HIGH SPEED DIFFERENTIAL	30 MICROINCH GOLD	2.0
950-220C-B1C				50 MICROINCH GOLD	
950-220C-B1D				30 MICROINCH GOLD, LEADFREE	
950-220C-B1E				50 MICROINCH GOLD, LEADFREE	
950-220A-B3B	Ø0.0177"	100Ω	HIGH SPEED DIFFERENTIAL	30 MICROINCH GOLD	1.3
950-220A-B3C				50 MICROINCH GOLD	
950-220A-B3D				30 MICROINCH GOLD, LEADFREE	
950-220A-B3E				50 MICROINCH GOLD, LEADFREE	
950-220C-B3B	Ø0.0177"	85Ω	HIGH SPEED DIFFERENTIAL	30 MICROINCH GOLD	1.3
950-220C-B3C				50 MICROINCH GOLD	
950-220C-B3D				30 MICROINCH GOLD, LEADFREE	
950-220C-B3E				50 MICROINCH GOLD, LEADFREE	
950-220F-B1B	Ø0.0225"	100Ω	LOW SPEED DIFFERENTIAL	30 MICROINCH GOLD	2.0
950-220F-B1C				50 MICROINCH GOLD	
950-220F-B1D				30 MICROINCH GOLD, LEADFREE	
950-220F-B1E				50 MICROINCH GOLD, LEADFREE	
950-220G-B1B	Ø0.0225"	85Ω	LOW SPEED DIFFERENTIAL	30 MICROINCH GOLD	2.0
950-220G-B1C				50 MICROINCH GOLD	
950-220G-B1D				30 MICROINCH GOLD, LEADFREE	
950-220G-B1E				50 MICROINCH GOLD, LEADFREE	
950-220F-B3B	Ø0.0177"	100Ω	LOW SPEED DIFFERENTIAL	30 MICROINCH GOLD	1.3
950-220F-B3C				50 MICROINCH GOLD	
950-220F-B3D				30 MICROINCH GOLD, LEADFREE	
950-220F-B3E				50 MICROINCH GOLD, LEADFREE	
950-220G-B3B	Ø0.0177"	85Ω	LOW SPEED DIFFERENTIAL	30 MICROINCH GOLD	1.3
950-220G-B3C				50 MICROINCH GOLD	
950-220G-B3D				30 MICROINCH GOLD, LEADFREE	
950-220G-B3E				50 MICROINCH GOLD, LEADFREE	

	COMPLIANT PIN DRILL Ø0.0225"	COMPLIANT PIN DRILL Ø0.0177"
PTH	Ø0.51 0.41	Ø0.40 0.30
DRILL	Ø0.57 [0.0225"]	Ø0.45 [0.0177"]
PAD	Ø0.88 (3)	Ø0.75 (3)



- NOTES:
- INTENDED FOR LAYOUT PURPOSES ONLY.
 - FOR WAFER PITCH USE 1.85mm NOMINAL FOR DAUGHTERCARD LAYOUT.
 - STATED PAD SIZE MAY REQUIRE FILLETING. SEE TB-2149 FOR ROUTING GUIDELINES.
 - NOMINAL DIMENSIONS FOR FULLY SEATED CONNECTOR.
 - REFER TO TB-2150 FOR XcEdE PRODUCT SPECIFICATIONS.
 - FOR CONNECTOR REPAIRABILITY, USE KEEP OUT ZONE.
 - DIMENSION APPLIES FOR BOTH COMPLIANT PINS

INTERPRET PER ASME Y14.5M
CODE IDENT 31413

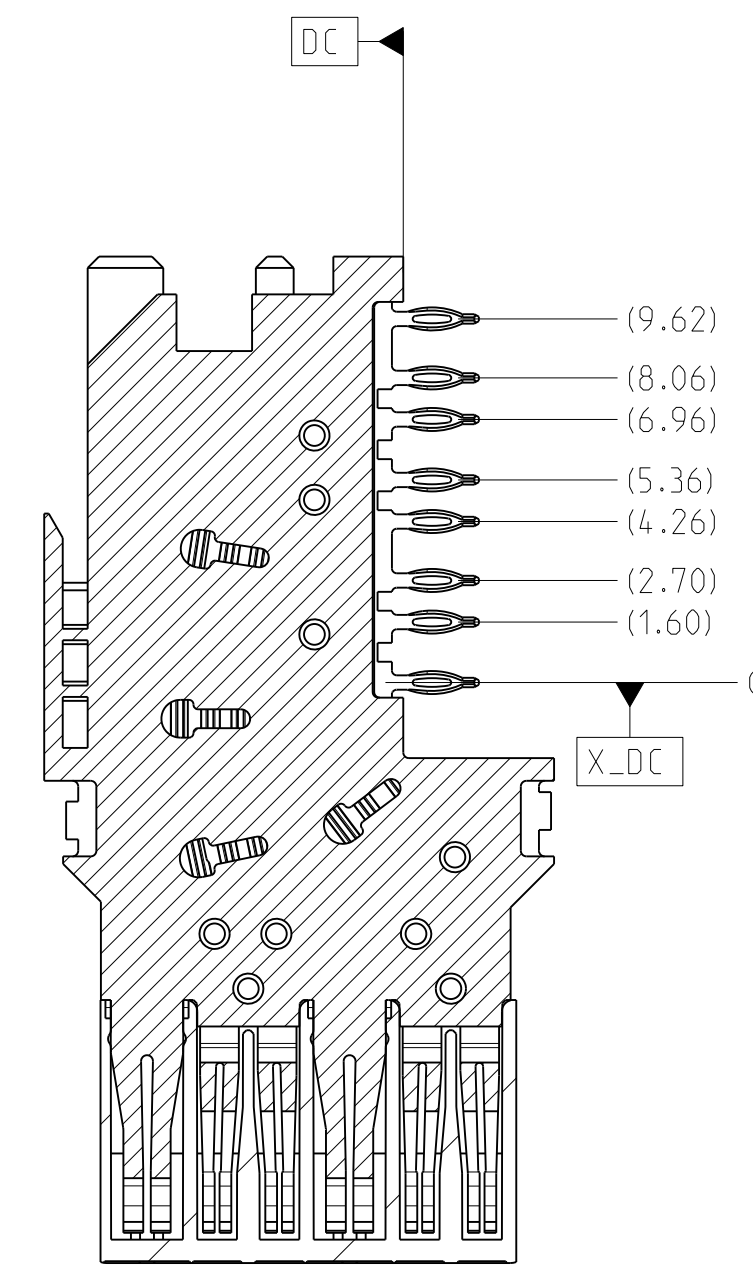
TOLERANCES	DESIGN 06/29/2006 J.GIROUX	Amphenol TCS A Division of Amphenol Corporation 200 Innovative Way, Nashua, NH 03062 603.879.3000	TITLE	RIGHT ANGLE FEMALE MODULE, 2PAIR, 8POS XCede	
0.0	±0.25		DRAWN 07/07/2007 C.LEIGHTON	PART NO.	SEE TABLE 1
0.00	±0.13		CHK 07/07/2007 D.MANTER	DRAWING NO.	C950-220A-500
0.000	± -		APVD 07/07/2007 A.PFAHNL	PROE ASSEM Q1109-CONNECTOR2-8WAF C950-220A-500-DC2-8WAF.drw	SCALE 5/1
ANGLES	± 3°		SIZE D	SHEET 1 OF 2	

UNLESS OTHERWISE SPECIFIED DIMENSIONS ARE IN MM. DECIMAL MARKER IS PERIOD

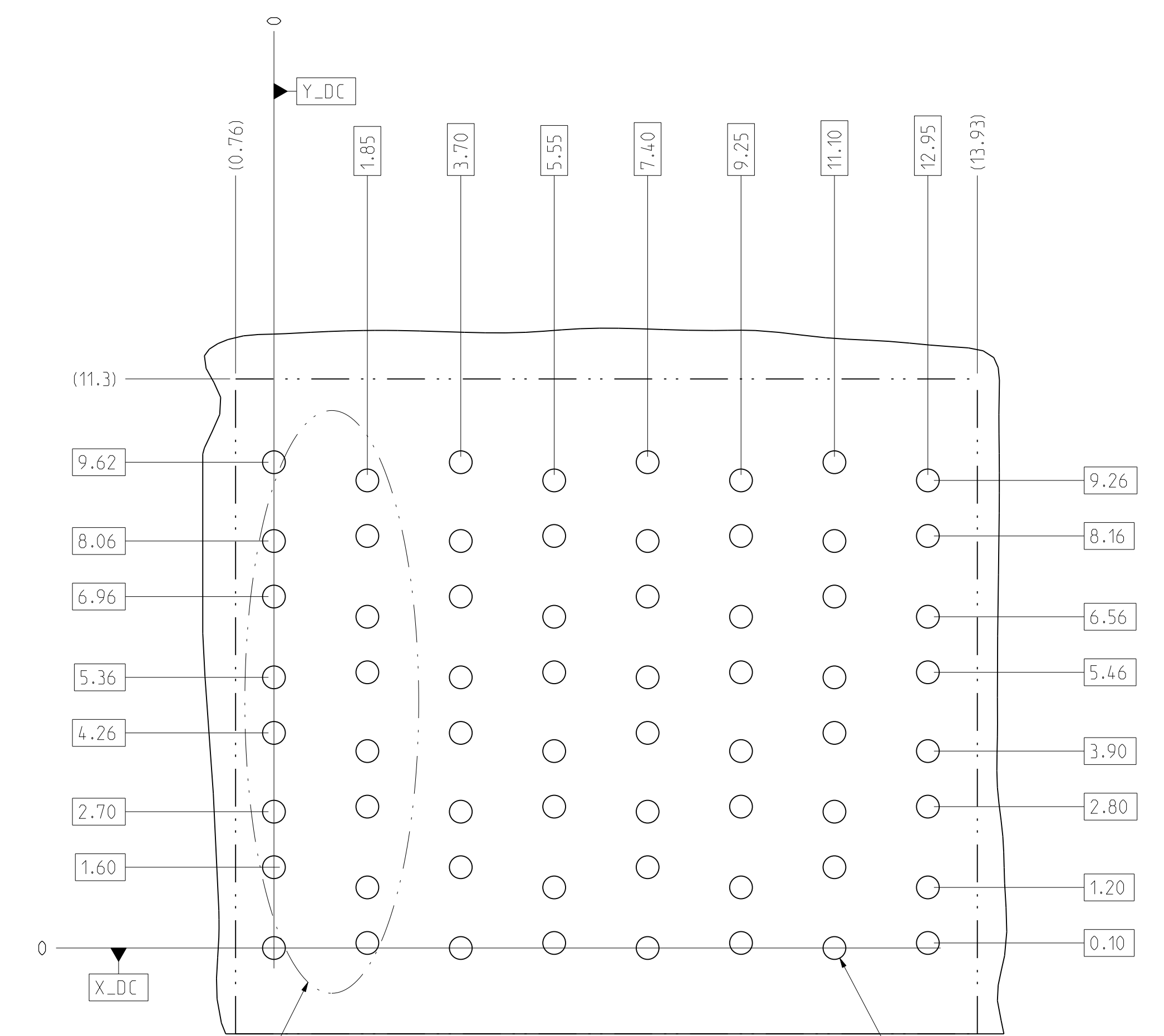
CUSTOMER USE DRAWING

DRW NO. C950-220A-500 SH 1 REV 5.0

ZONE	REV	SCR NUMBER	DESCRIPTION	BY	DATE	APPROVED
			SEE SHEET 1			



SECTION B-B
WAFER "A"
SCALE 5/1

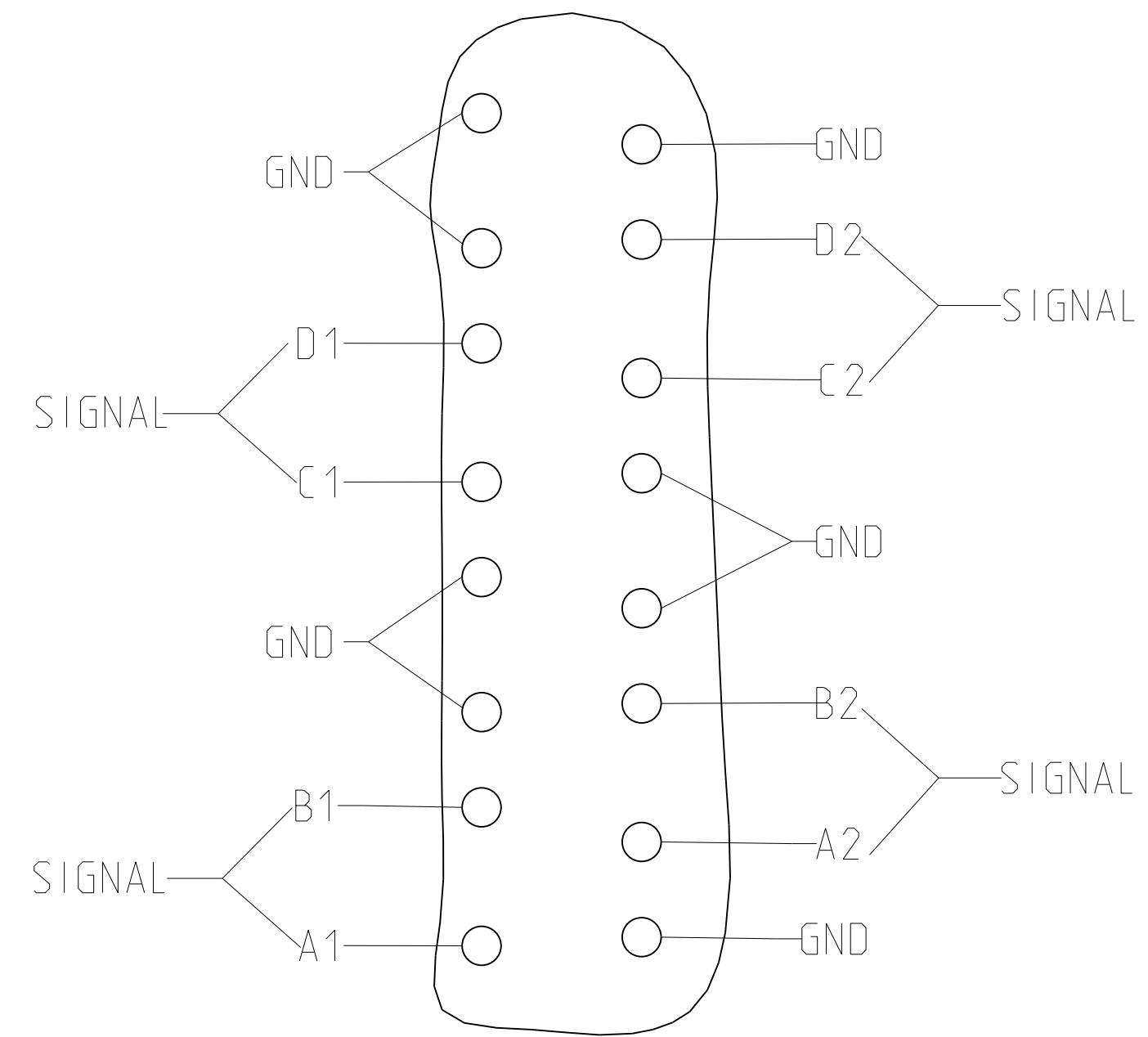


SEE DETAIL C & D FOR PINOUTS

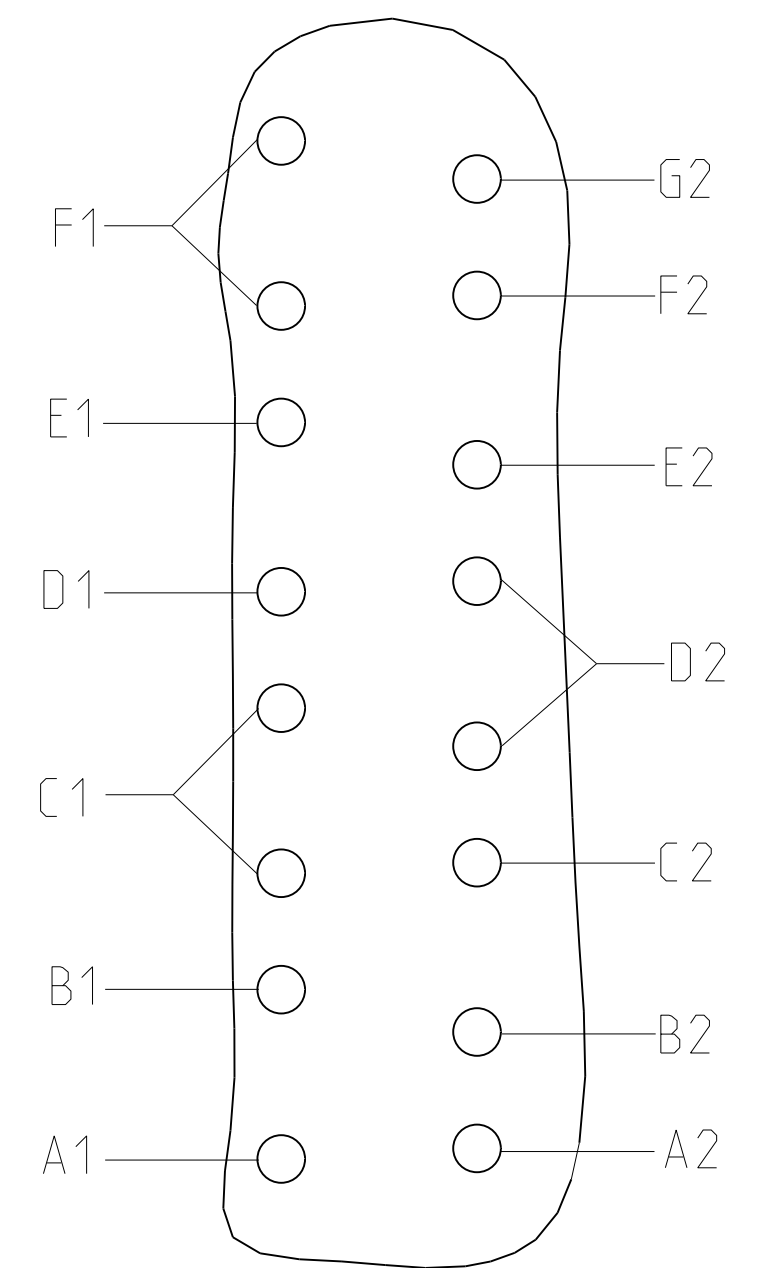
RIGHT ANGLE FEMALE
HIGH SPEED AND LOW SPEED DIFFERENTIAL
HOLE PATTERN FOR BOTH COMPLIANT PIN DRILL
($\varnothing 0.0225"$ AND $\varnothing 0.0177"$)
SCALE 12/1

CONNECTOR SIDE

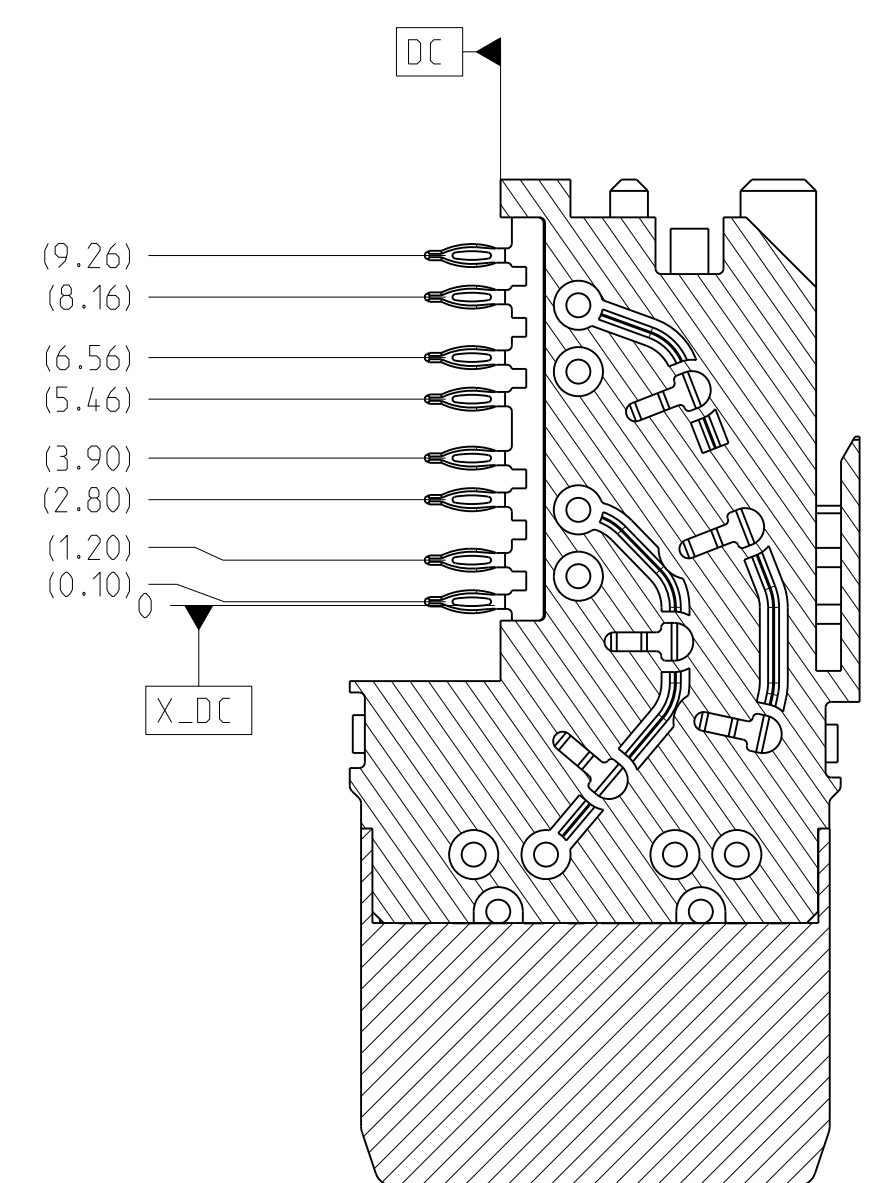
SEE TABLE 2 SHEET 1 TYP



DETAIL C
SCALE 14/1
HIGH SPEED DIFFERENTIAL
PINOUTS



DETAIL D
SCALE 14/1
LOW SPEED DIFFERENTIAL
PINOUTS



SECTION A-A
WAFER "B"
SCALE 5/1

TOLERANCES		DESIGN 06/29/2006 J.GIROUX	Amphenol TCS A Division of Amphenol Corporation 200 Innovative Way, Nashua, NH 03062 603.879.3000
0.0	±0.25	DRAWN 07/07/2007 C.LEIGHTON	
0.00	±0.13	CHK 07/07/2007 D.MANTER	
0.000	± -	APVD 07/07/2007 A.PFAHNL	
ANGLES	± 3°		
UNLESS OTHERWISE SPECIFIED DIMENSIONS ARE IN MM. DECIMAL MARKER IS PERIOD			TITLE RIGHT ANGLE FEMALE MODULE, 2PAIR, 8POS XCede
PART NO.		SEE TABLE 1	REV
DRAWING NO.		C950-220A-500	REV 5.0
PROJ ASSEM Q1109-CONNECTOR2-BWAF		1.3	2.6
C950-220A-500-DC2-BWAF.drw		1.3	2.6
SIZE D	SCALE 5/1	SHEET 2 OF 2	

INTERPRET PER ASME Y14.5M
CODE IDENT 31413

CUSTOMER USE
DRAWING

DRW NO. C950-220A-500

SH 2 REV 5.0