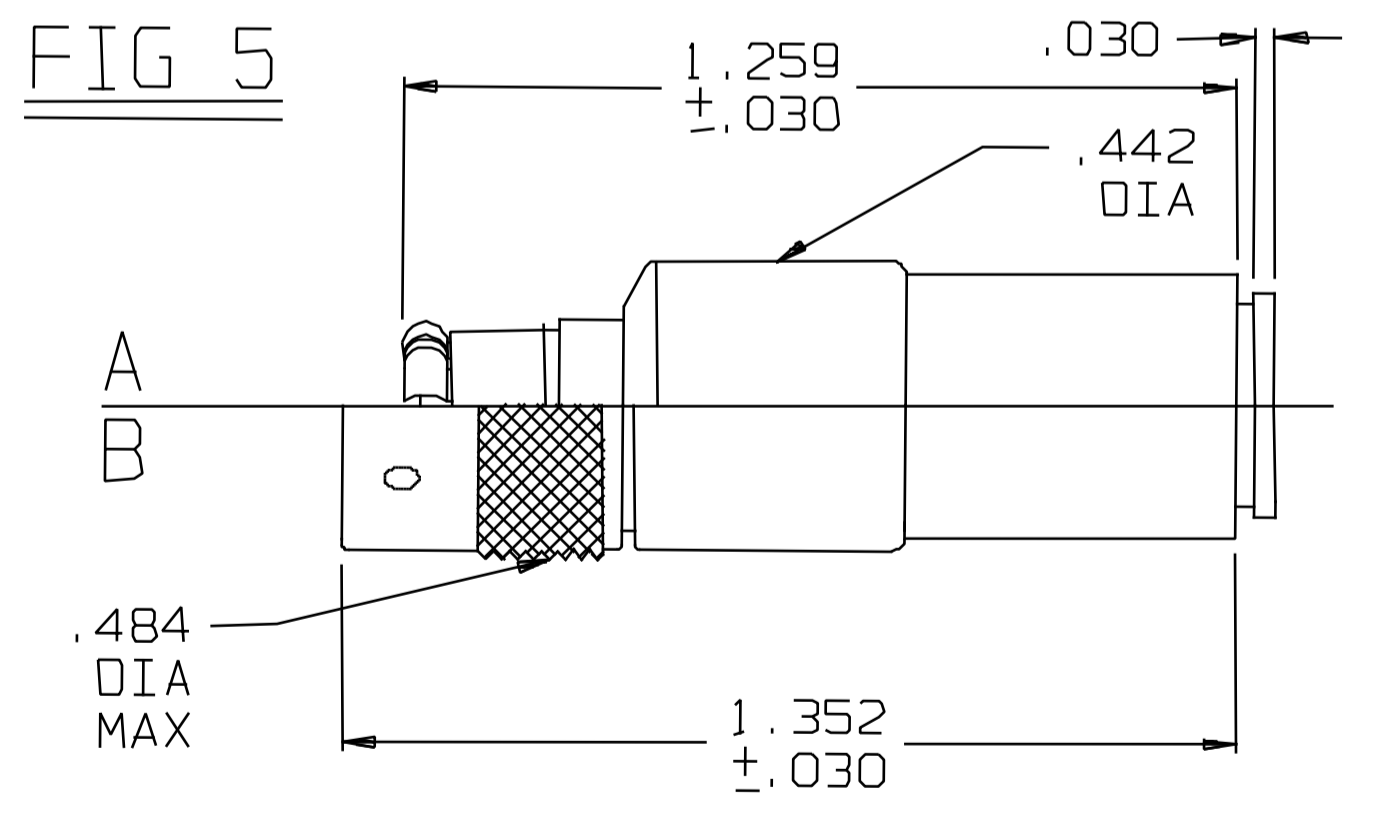
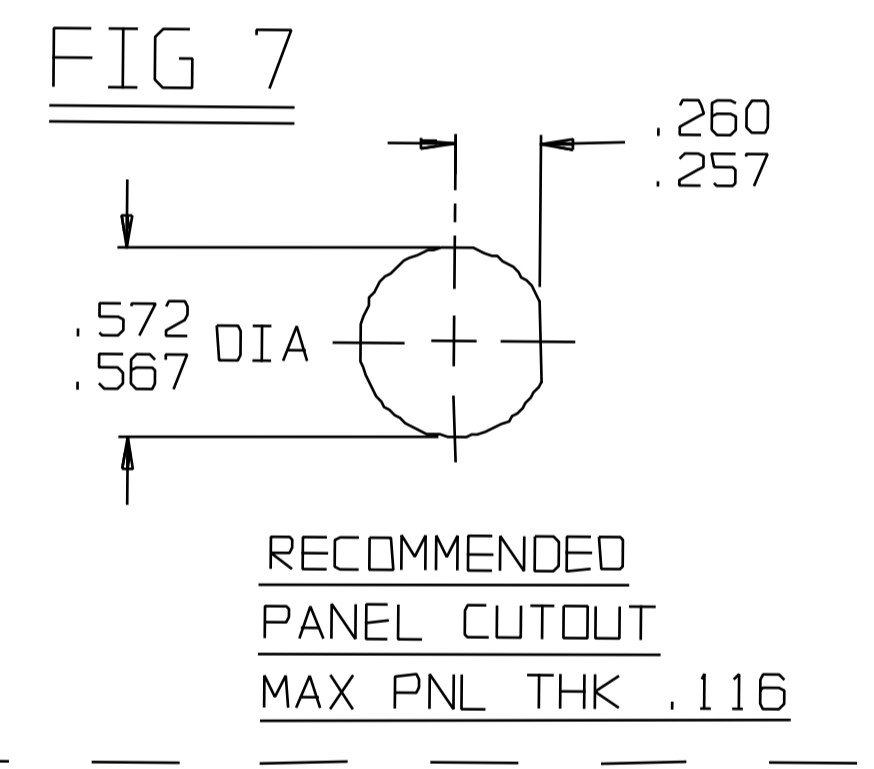
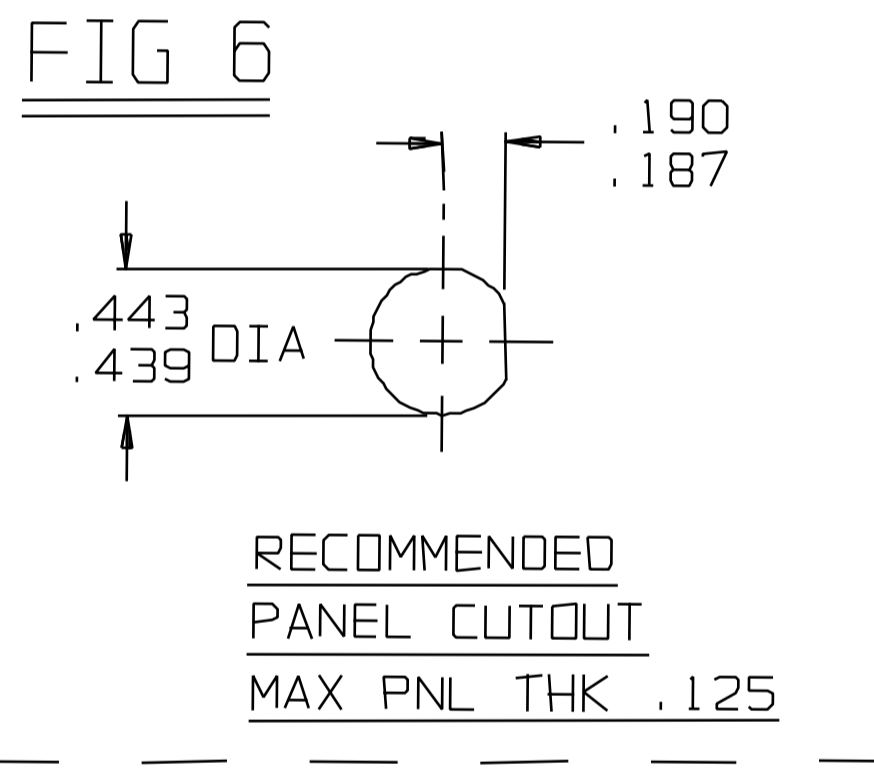
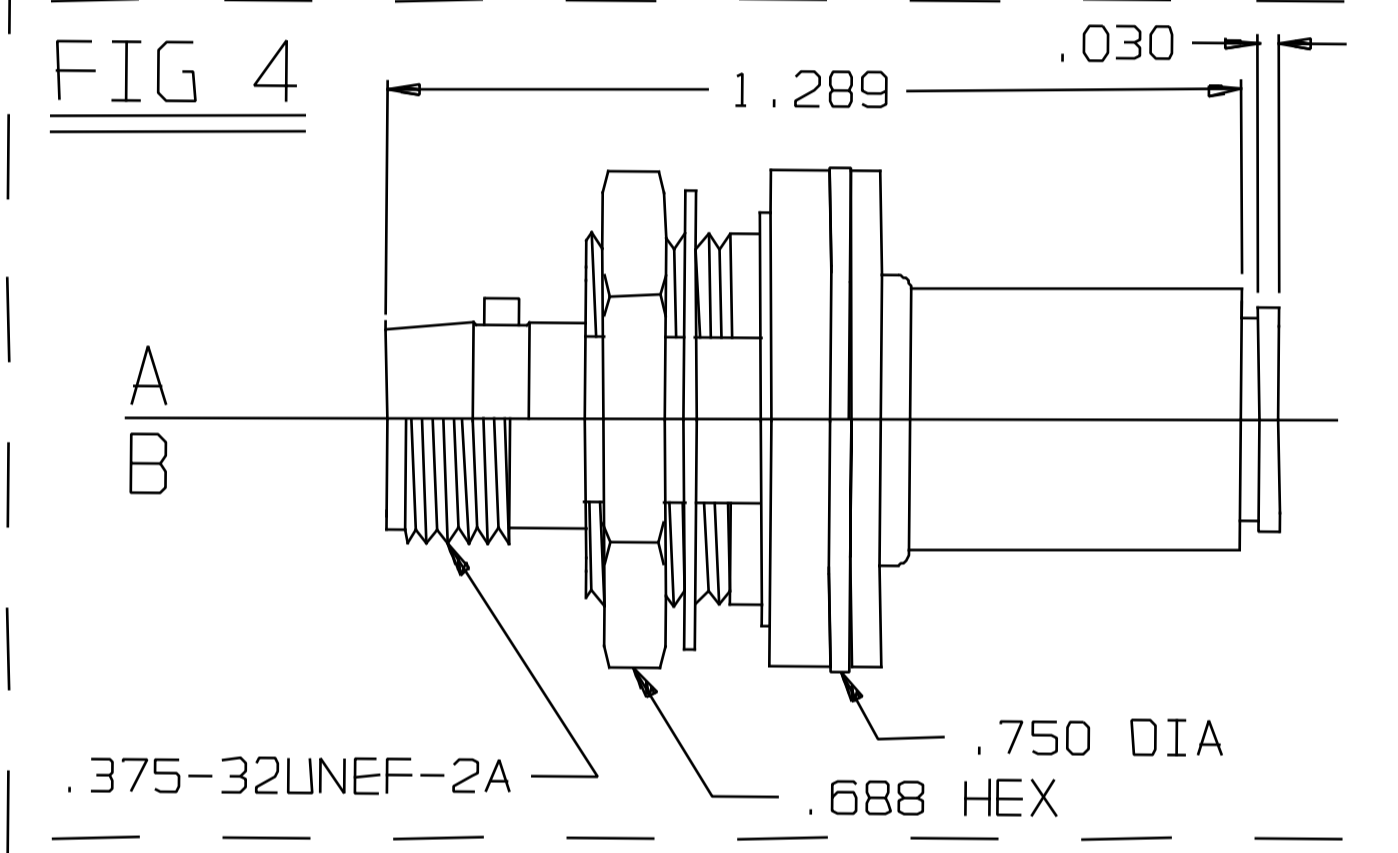
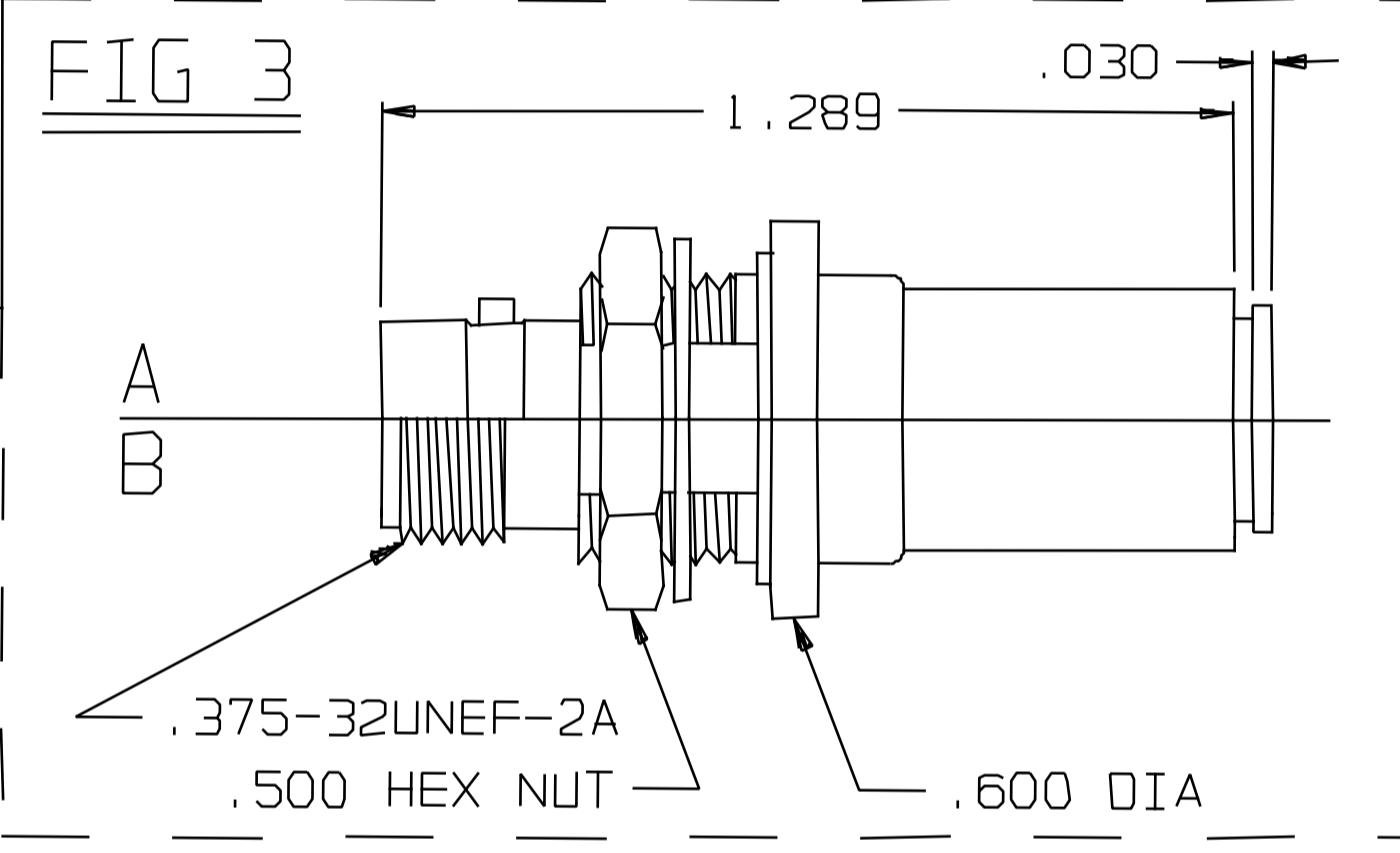
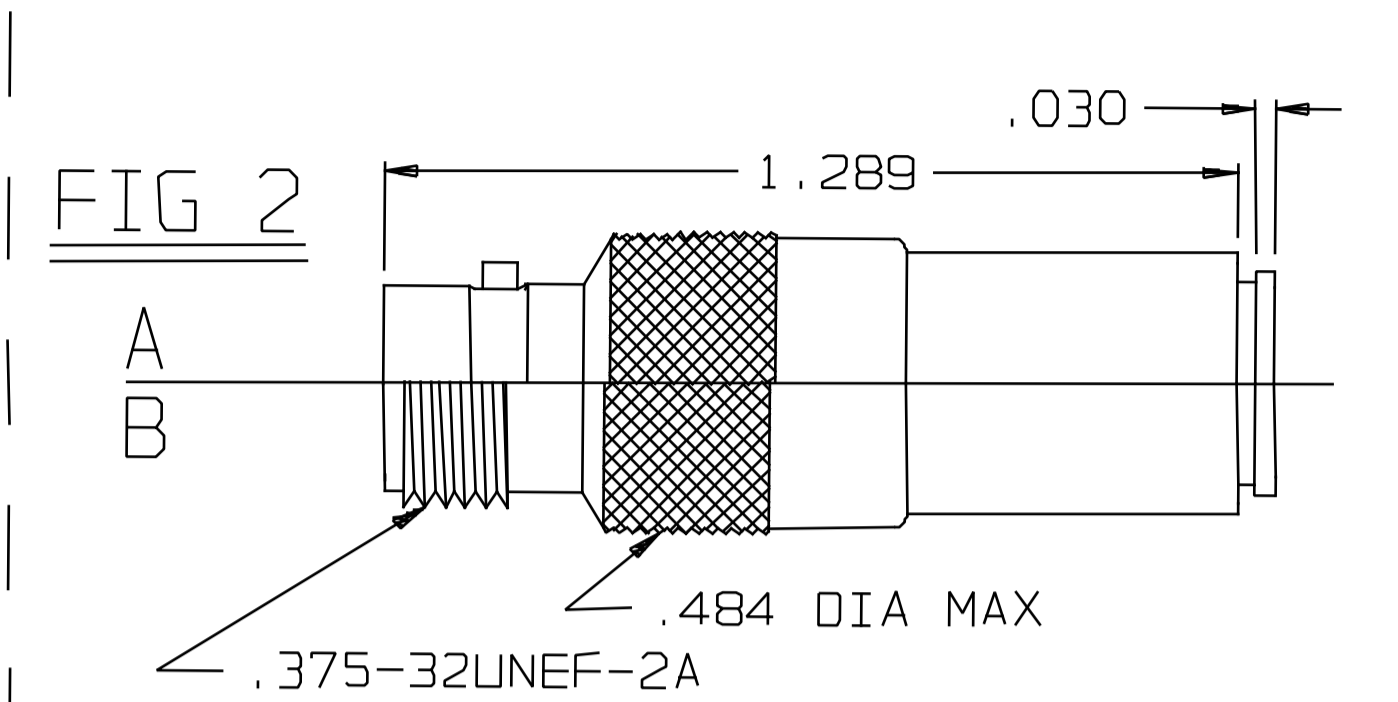
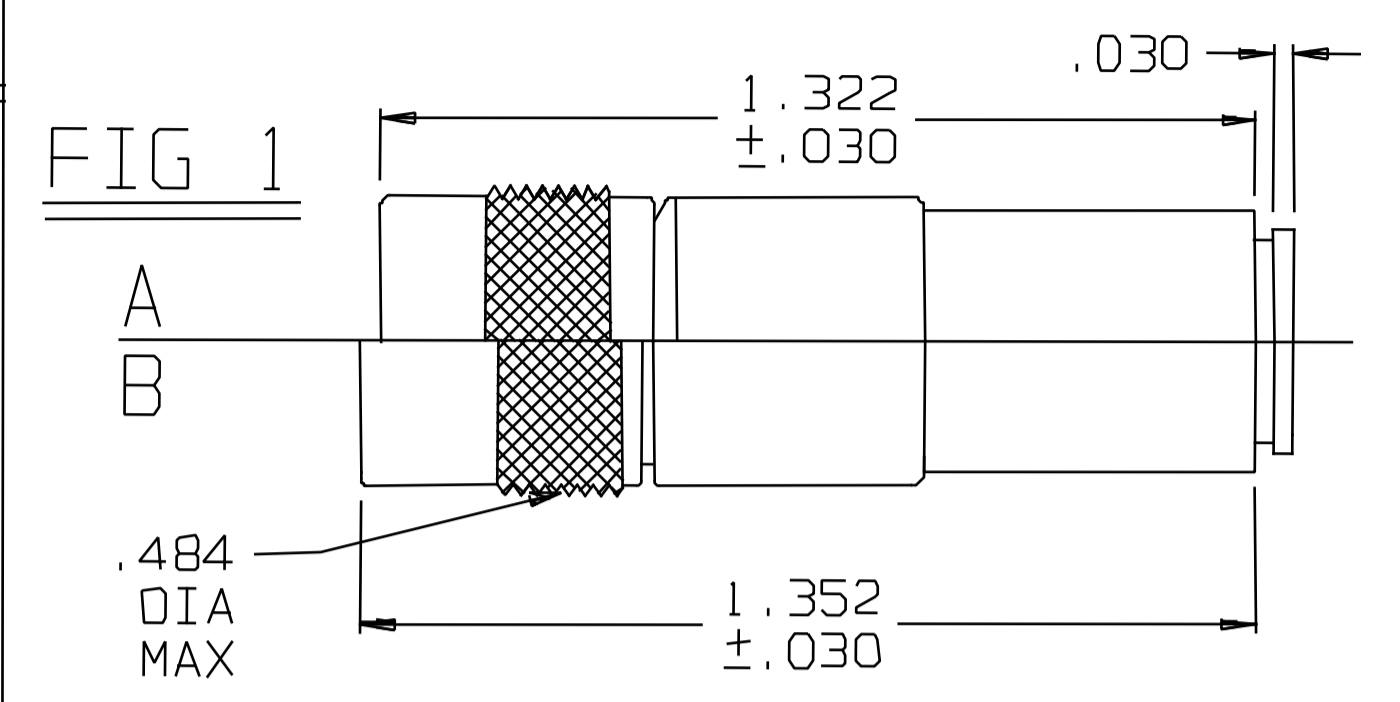


DATA CONTAINED IN THIS DOCUMENT IS PROPRIETARY TO TROMPETER ELECTRONICS INC. AND SHALL NOT BE DISCLOSED, COPIED OR USED FOR PROCUREMENT OR MANUFACTURE WITHOUT EXPRESS WRITTEN PERMISSION.

REV		EO	DESCRIPTION	315-0035		SH
OWN	APPROVED	DATE				
D	10581		REVISED NOTES 3 & \triangle 4 ; REDRAWN	DKC		

DASH NO	CONNECTOR TYPE	MATERIAL \triangle 4	ASSEMBLE PER	FIG	MTG HOLE FIG	A HEX
-1	PL155AC	310-0060-207	TAI-144	1A	—	.344
-2	CJ150AC	3-0226-207		2A	—	
-3	BJ159AC	3-0232-207		3A	6	
-4	BJ154AC	3-0229-207		4A	7	
-5	PL155ACFL	310-0061-207		1A	—	
-6	CJ150ACFL	3-0227-207		2A	—	
-7	BJ159ACFL	3-0233-207		3A	6	
-8	BJ154ACFL	3-0230-207		4A	7	
-9	PL3155AC	310-0062-207		1B	—	
-10	CJ3150AC	3-0228-207		2B	—	
-11	BJ3159AC	3-0234-207		3B	6	
-12	BJ3154AC	3-0231-207		4B	7	
-13	PL153AC	310-0059-207		5A	—	
-14	PL3155ACS	310-0062-207		5B	—	

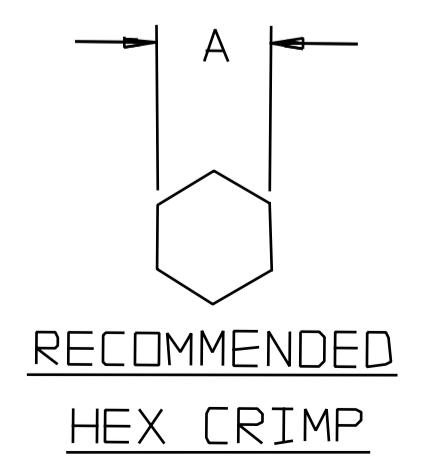


\triangle 4 REPLACE 8-2626-207 CRIMP BUSHING AND 8-2625-1 CRIMP RING WITH 805-0968 CRIMP BUSHING, DELETE 8-1815-13 SEALING SLEEVE

3. SUBMINIATURE CONCENTRIC TWINAX/TRIAX, 3-LUG, 4-LUG & THREADED CABLE PLUGS/RECEPTACLES, INSULATED & NONINSULATED BULKHEAD MOUNT RECEPTACLES & PUSH-ON CABLE PLUG FOR RAYCHEM CABLE NO. 10605 AND LOCKHEED CABLE P/N STMD1-600 TYPE I

2. FINISH: TFS-1A (NICKEL)

1. ALL DIM ARE IN INCHES



NEXT ASSY

QTY	DESCRIPTION		PART NUMBER	ITEM
TOL UNLESS SPECIFIED				
.XX ±	TROMPETER ELECTRONICS, INC. "150AC" SERIES LARGE BODY -10605			
.XXX ± .005				
.XXXX ±				
ANGLES ±				
OWN	DKC	2-8-94	MATERIAL	CODE IDENT
CHK				14949
ENGR				
APPR			SCALE —	DATE 12-4-85
				SHEET