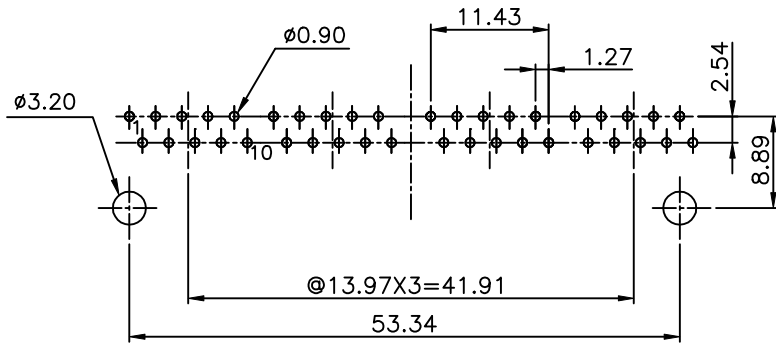
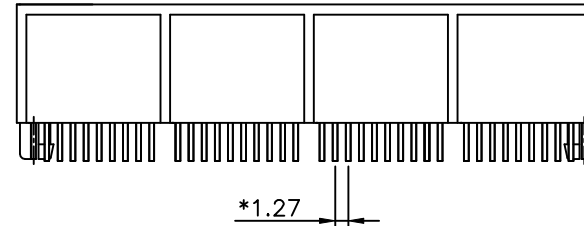
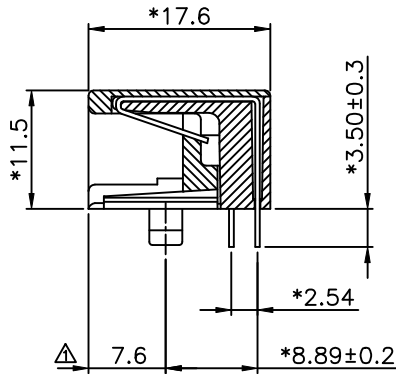
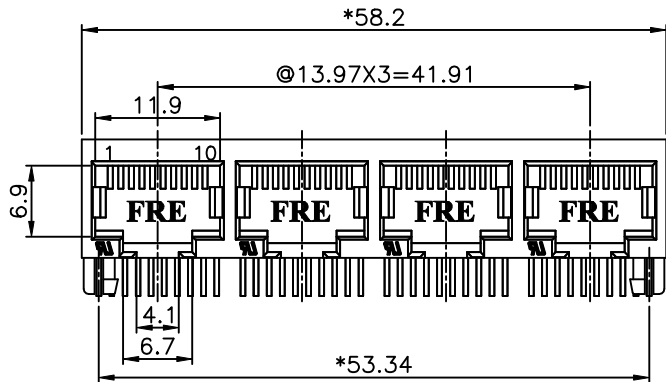


REVISION RECORD				
REV	ECO	DESCRIPTION	DRFT	CHKD
Δ		MODIFY DIM	ANKUE 8/2/05	



PC Board Layout Component Side Shown

**NOTES:**

**ELECTRICAL:**

- VOLTAGE RATING : 125 VAC RMS.
- CURRENT RATING : 1.5 AMP.
- CONTACT RESISTANCE : 30 MILLIOHMS MAX.
- INSULATION RESISTANCE : 1000 MEGOHMS MIN @ 500 VDC.
- DIELECTRIC STRENGTH : 1000 VAC RMS 60Hz, 1MIN.

**MECHANICAL:**

- HOUSING MATERIAL: GLASS FILLED POLYESTER UL 94V-0.
- CONTACT MATERIAL: PHOSPHOR BRONZE  $\phi$ 0.46mm.
- PLATING : GOLD PLATING OVER NICKEL.
- OPERATING LIFE : 750 CYCLES MIN.
- PCB RETENTION PRE-SOLDER: 1 LB MIN.
- PCB RETENTION POST-SOLDER: 10 LBS MIN.

**ENVIRONMENTAL:**

- STORAGE: -40°C TO +85°C.
- OPERATION: 0°C TO 70°C.
- WAVE SOLDERING TEMPERATURE: 230~250° (3~5SECONDS).

MATES WITH MODULAR PLUG CONFORMING TO

FCC PART 68, SUBPART F.

CUL FILE NO. E163191

LEAD FREE PART NUMBER: E560X-00C06X-L

NO. OF CONTACT  
8-8 CONTACTS  
1- 10 CONTACTS

1- 3u" 2- 6u" 3-15u"  
4-30u" 5-50u" 6-Pd20u"

DETACHED LISTS	← MM (INCH) →		DFTO ANKUE	DATE 6/1/05
	TOLERANCES EXCEPT AS NOTED		CHKD SAMMY	DATE 2005/8/2
	MM	±	MFO	DATE
	.0 ± 0.2	±	APPVLLUSHENG	DATE 2005/8/2
	.00 ± 0.15	±	MATERIAL :	
.000 ± 0.075	±	ANGLES ± 0.5		
THIRD ANGLE PROJECTION		FINISH :	QT'Y :	
		SCALE : 2:1		

**FULL RISE ELECTRONIC CO., LTD**

TITLE 11.5 SIDE ENTRY  
PCB GANG JACK 10P

DRAWING NO. GE563011-LC  
/PART NO. SEE NOTE

DO NOT SCALE DRAWING SHEET OF

H  
G  
F  
E  
D  
C  
B  
A