

MAZ series

Micro limit snap action switch

Distinctive features and specifications

- Movement differential $\leq 0.3\text{mm}$.
- Available in normally open, normally closed and change-over functions.
- Solder lug, Quick connect and PC terminals available.

ELECTRICAL SPECIFICATIONS

- AC rating: 0.1(0.05)A...16(4)A, 250VAC
- Electrical life: 50,000 cycles min.

MATERIALS

- Case: PBT(UL94V-0)
- Actuator: PET (UL94V-0)
- Contact spring: CuSn Ag plated
- Terminals: CuZn Ag plated
- Contacts: AgNi

GENERAL SPECIFICATIONS

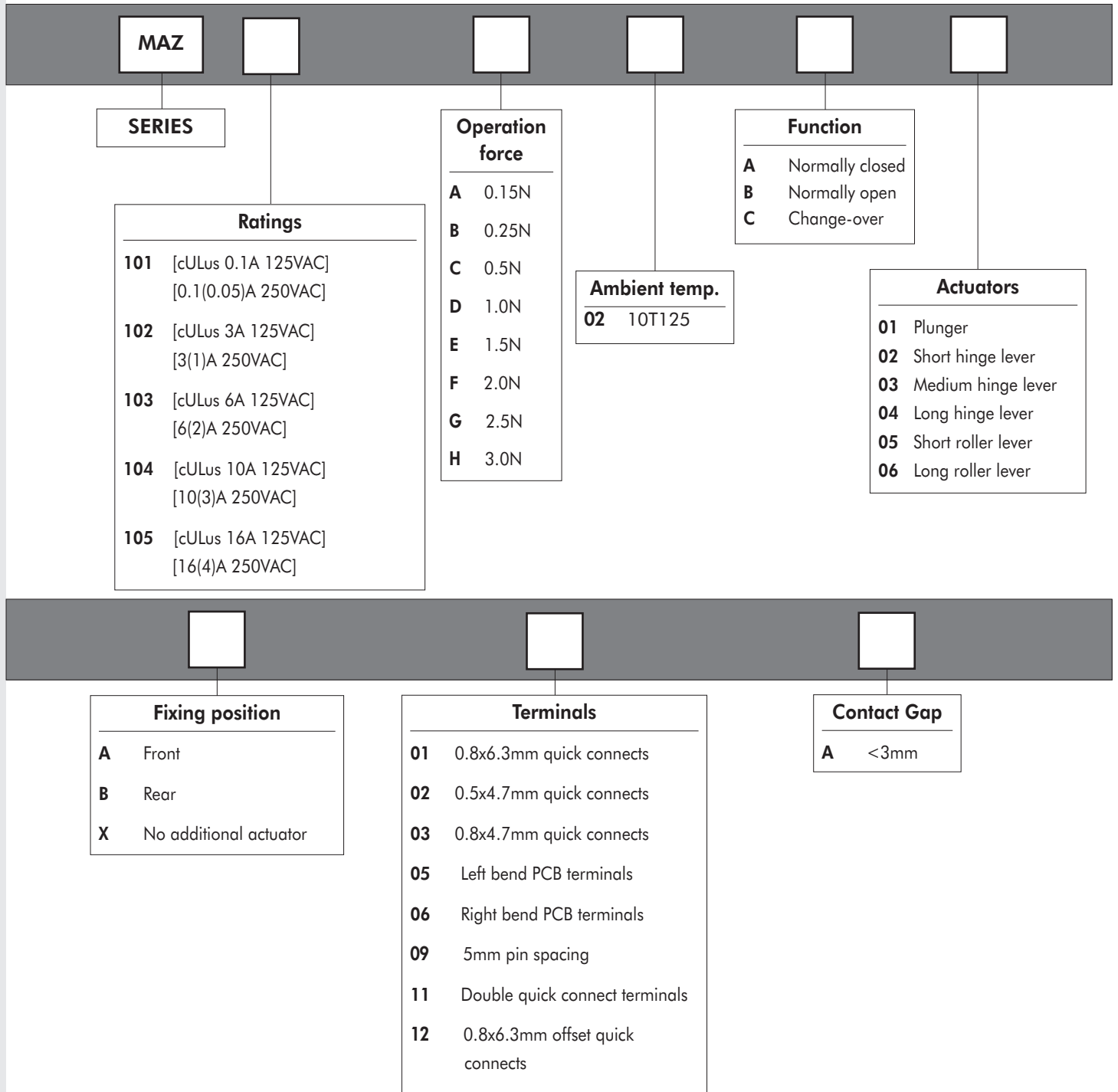
- Operating temperature: -10°C to $+125^{\circ}\text{C}$
- Pretravel: ≤ 1.2 mm
- Overtravel: 1.30mm min.
- Movement differential: $\leq 0.3\text{mm}$
- Operating position: 14.20...15.20mm
- Contact gap: $< 3\text{mm}$

AGENCY APPROVAL



MAZ series

Micro limit snap action switch



ABOUT THIS SERIES

On the following pages, you will find successively :

- model structure of switches
- options in the same order as in above chart

Dimensions : first dimensions are in mm while inches are shown as bracketed numbers.



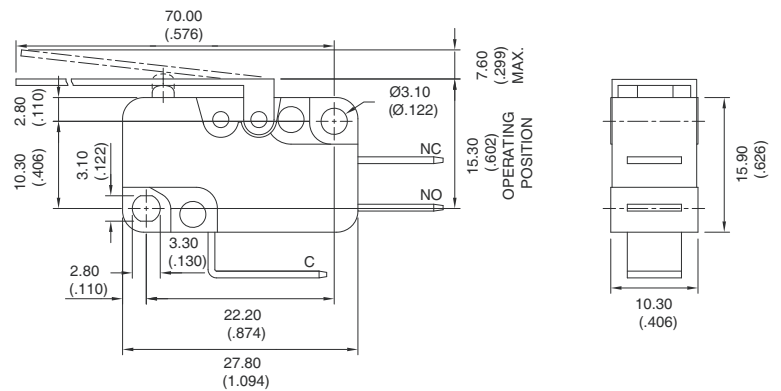
NOTICE : please note that not all combinations of above numbers are available. Refer to the following pages for further information.

MAZ series

Micro limit snap action switch

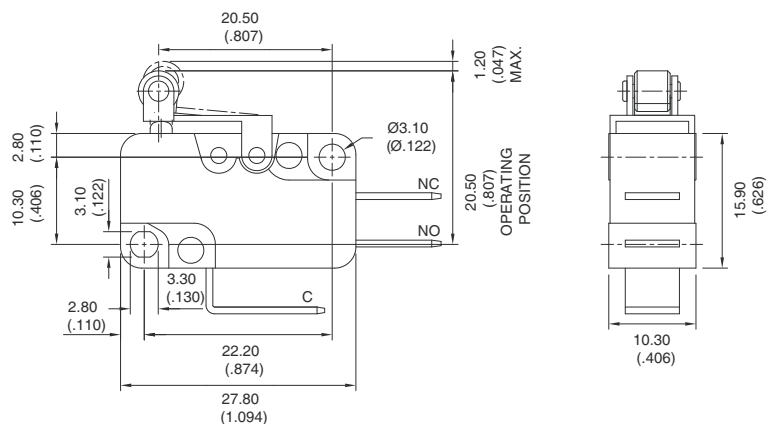
Change-over with long hinge lever

MAZ 02C04B01A



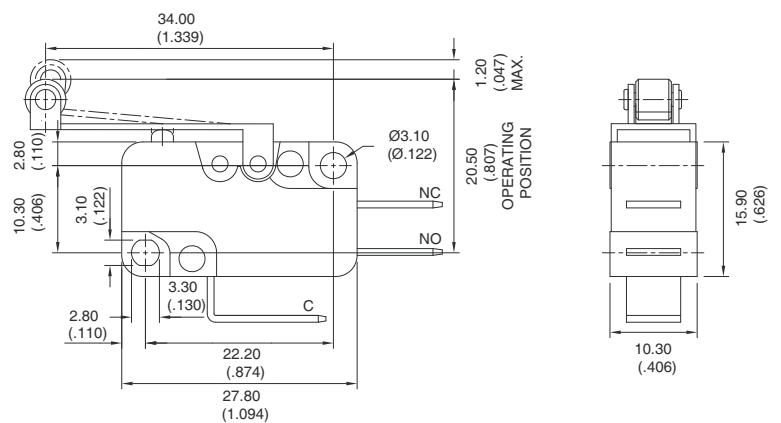
Change-over with short roller lever

MAZ 02C05B01A

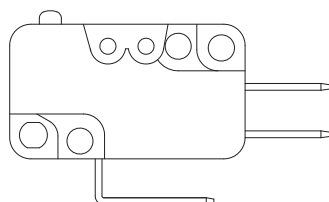


Change-over with long roller lever

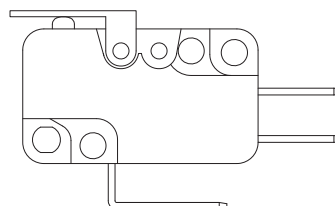
MAZ 02C06B01A



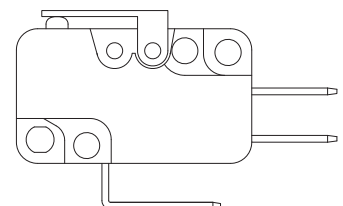
Fixing position



X No additional actuator



A Front



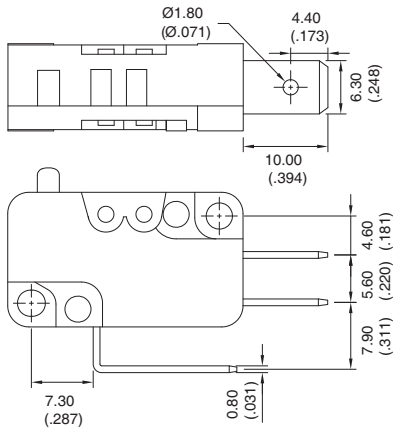
B Rear

MAZ series

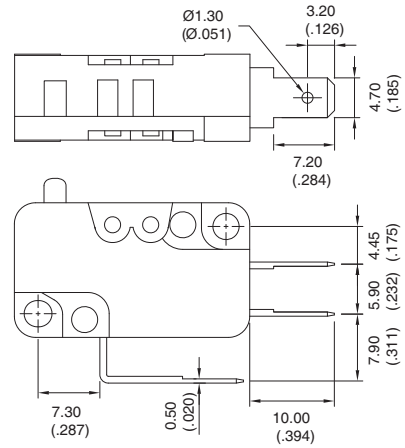
Micro limit snap action switch

Terminal options

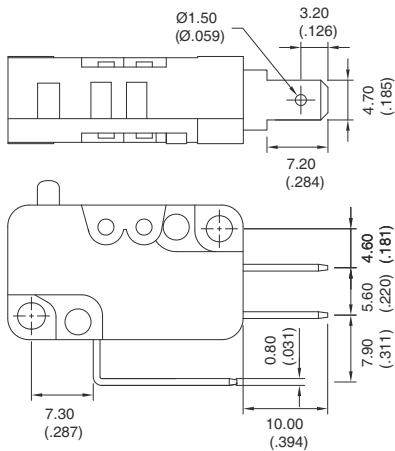
01 0.8x6.3mm quick connect terminals



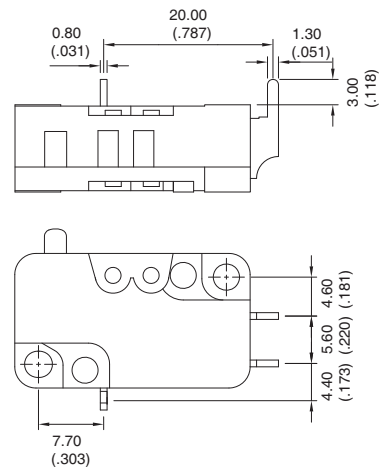
02 0.5x4.7mm quick connect terminals



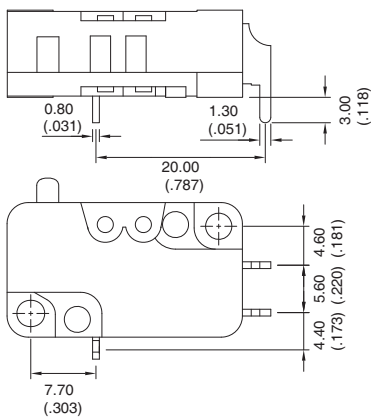
03 0.8x4.7mm quick connect terminals



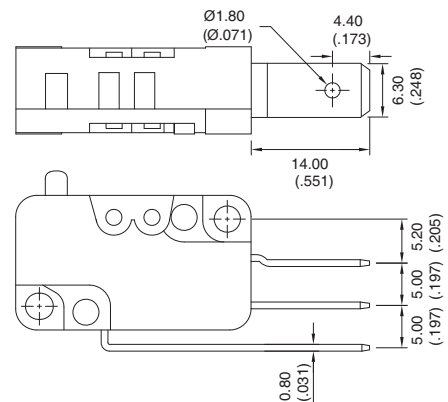
05 Left bend PCB terminals



06 Right bend PCB terminals



09 Solder lug with 5mm pin spacing

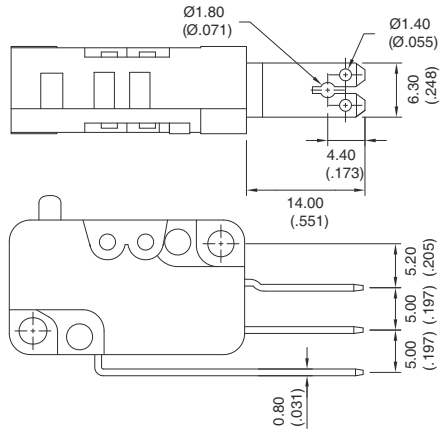


MAZ series

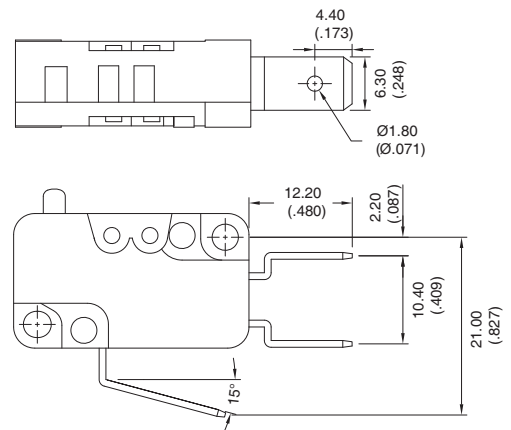
Micro limit snap action switch

Terminal options

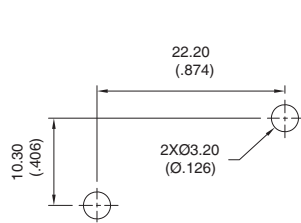
11 Double quick connects



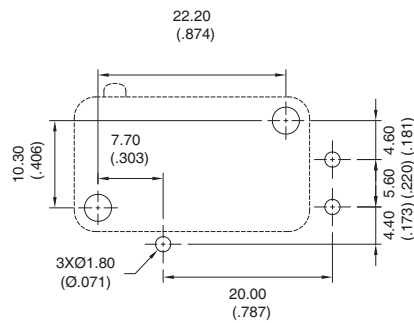
12 0.8x6.3mm offset quick connects



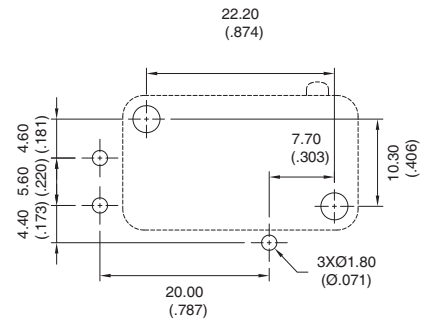
Mounting hole dimensions



Fixing holes



Left bend
PCB terminals



Right bend
PCB terminals

MAZ series

Micro limit snap action switch

| MAZ | Actuator | Actuator length | Operation force on plunger ($\leq N$) | Operation force on lever ($\leq N$) | Pretravel mm (in) | Overtravel mm (in) | Movement differential mm (in) | Free position mm (in) | Operating position |
|-----------------------------|----------|------------------|---|---------------------------------------|-------------------|--------------------|-------------------------------|-----------------------|----------------------------|
| Plunger | 01 | - | 0.15 | - | 1.20 (.047) | 1.30 (.051) | 0.30 (.012) | 16.40 (.646) | 14.70-15.20 (.579-.598) |
| | | | 0.25 | - | | | | | |
| | | | 0.50 | - | | | | | |
| | | | 1.00 | - | | | | | |
| | | | 1.50 | - | | | | | |
| | | | 2.00 | - | | | | | |
| | | | 2.50 | - | | | | | |
| 3.00 | - | | | | | | | | |
| Rear fixing position | | | | | | | | | |
| Short hinge lever | 02 | 22.00 (.866) | 0.15 | 0.15 | 1.60 (.063) | 1.30 (.051) | 0.40 (.016) | 17.50 (.689) | 15.30±0.60 (.602±.024) |
| | | | 0.25 | 0.25 | | | | | |
| | | | 0.50 | 0.50 | | | | | |
| | | | 1.00 | 1.00 | | | | | |
| | | | 1.50 | 1.50 | | | | | |
| | | | 2.00 | 2.00 | | | | | |
| | | | 2.50 | 2.50 | | | | | |
| 3.00 | 3.00 | | | | | | | | |
| Medium hinge lever | 03 | 35.50 (1.398) | 0.15 | 0.08 | 3.20 (.126) | 2.20 (.087) | 0.80 (.031) | 19.70 (.776) | 15.30±1.20 (.602±.047) |
| | | | 0.25 | 0.13 | | | | | |
| | | | 0.50 | 0.27 | | | | | |
| | | | 1.00 | 0.53 | | | | | |
| | | | 1.50 | 0.80 | | | | | |
| | | | 2.00 | 1.07 | | | | | |
| | | | 2.50 | 1.33 | | | | | |
| 3.00 | 1.60 | | | | | | | | |
| Long hinge lever | 04 | 70.00 (2.756) | 0.15 | 0.04 | 7.60 (.299) | 4.70 (.185) | 1.70 (.067) | 25.50 (1.004) | 15.30±2.60 (.602±.102) |
| | | | 0.25 | 0.06 | | | | | |
| | | | 0.50 | 0.12 | | | | | |
| | | | 1.00 | 0.23 | | | | | |
| | | | 1.50 | 0.35 | | | | | |
| | | | 2.00 | 0.47 | | | | | |
| | | | 2.50 | 0.58 | | | | | |
| 3.00 | 0.70 | | | | | | | | |
| Short roller lever | 05 | 20.50 (.807) | 0.15 | 0.15 | 1.20 (.047) | 1.00 (.039) | 0.25 (.010) | 22.50 (.886) | 20.50±0.80 (.807±.031) |
| | | | 0.25 | 0.25 | | | | | |
| | | | 0.50 | 0.50 | | | | | |
| | | | 1.00 | 1.00 | | | | | |
| | | | 1.50 | 1.50 | | | | | |
| | | | 2.00 | 2.00 | | | | | |
| | | | 2.50 | 2.50 | | | | | |
| 3.00 | 3.00 | | | | | | | | |
| Long roller lever | 06 | 34.00 (1.339) | 0.15 | 0.08 | 3.20 (.126) | 2.20 (.087) | 0.80 (.031) | 24.90 (.980) | 20.50±1.20 (.807±.047) |
| | | | 0.25 | 0.13 | | | | | |
| | | | 0.50 | 0.27 | | | | | |
| | | | 1.00 | 0.53 | | | | | |
| | | | 1.50 | 0.80 | | | | | |
| | | | 2.00 | 1.07 | | | | | |
| | | | 2.50 | 1.33 | | | | | |
| 3.00 | 1.60 | | | | | | | | |

MAZ series

Micro limit snap action switch

| Front fixing position | | | | | | | | | |
|-----------------------|----------|------------------|---|---------------------------------------|---------------------------|----------------------------|---------------------------------------|-------------------------------|---------------------------------------|
| MAZ | Actuator | Actuator length | Operation force on plunger ($\leq N$) | Operation force on lever ($\leq N$) | Pretravel mm (\leq in) | Overtravel mm (\leq in) | Movement differential mm (\leq in) | Free position mm (\leq in) | Operating position |
| Short hinge lever | 02 | 26.50 (1.043) | 0.15 | 0.12 | 2.20 (.087) | 1.50 (.059) | 0.65 (.026) | 18.50 (.728) | 15.30 \pm 1.00 (.602 \pm .039) |
| | | | 0.25 | 0.21 | | | | | |
| | | | 0.50 | 0.42 | | | | | |
| | | | 1.00 | 0.84 | | | | | |
| | | | 1.50 | 1.26 | | | | | |
| | | | 2.00 | 1.68 | | | | | |
| | | | 2.50 | 2.10 | | | | | |
| 3.00 | 2.52 | | | | | | | | |
| Medium hinge lever | 03 | 40.00 (1.575) | 0.15 | 0.08 | 4.50 (.177) | 2.50 (.098) | 1.00 (.039) | 21.30 (.839) | 15.30 \pm 1.50 (.602 \pm .059) |
| | | | 0.25 | 0.14 | | | | | |
| | | | 0.50 | 0.28 | | | | | |
| | | | 1.00 | 0.55 | | | | | |
| | | | 1.50 | 0.83 | | | | | |
| | | | 2.00 | 1.11 | | | | | |
| | | | 2.50 | 1.39 | | | | | |
| 3.00 | 1.66 | | | | | | | | |
| Long hinge lever | 04 | 74.50 (2.933) | 0.15 | 0.04 | 10.50 (.413) | 5.00 (.197) | 1.90 (.075) | 28.80 (1.134) | 15.30 \pm 3.00 (.602 \pm .118) |
| | | | 0.25 | 0.07 | | | | | |
| | | | 0.50 | 0.14 | | | | | |
| | | | 1.00 | 0.29 | | | | | |
| | | | 1.50 | 0.43 | | | | | |
| | | | 2.00 | 0.57 | | | | | |
| | | | 2.50 | 0.72 | | | | | |
| 3.00 | 0.88 | | | | | | | | |
| Short roller lever | 05 | 25.00 (.984) | 0.15 | 0.13 | 1.90 (.075) | 1.30 (.051) | 0.60 (.024) | 23.40 (.921) | 20.50 \pm 1.00 (.807 \pm .039) |
| | | | 0.25 | 0.22 | | | | | |
| | | | 0.50 | 0.44 | | | | | |
| | | | 1.00 | 0.88 | | | | | |
| | | | 1.50 | 1.32 | | | | | |
| | | | 2.00 | 1.75 | | | | | |
| | | | 2.50 | 2.19 | | | | | |
| 3.00 | 2.63 | | | | | | | | |
| Long roller lever | 06 | 38.50 (1.515) | 0.15 | 0.09 | 4.10 (.161) | 2.50 (.098) | 1.00 (.039) | 26.10 (1.028) | 20.50 \pm 1.50 (.807 \pm .059) |
| | | | 0.25 | 0.14 | | | | | |
| | | | 0.50 | 0.29 | | | | | |
| | | | 1.00 | 0.57 | | | | | |
| | | | 1.50 | 0.86 | | | | | |
| | | | 2.00 | 1.15 | | | | | |
| | | | 2.50 | 1.44 | | | | | |
| 3.00 | 1.72 | | | | | | | | |