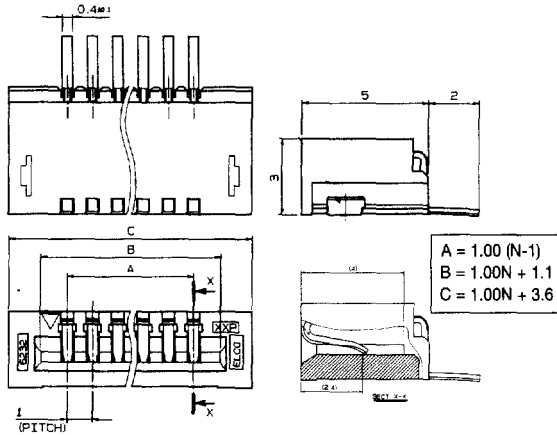


FFC/FPC Connectors 1.00mm Pitch



Series 6232 LIF Right Angle SMT (Top Contact)



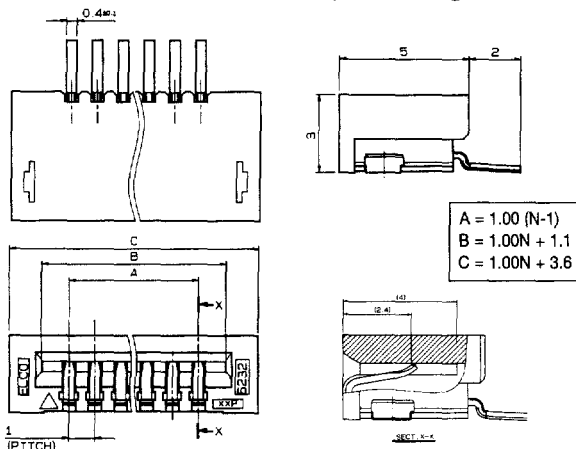
ORDERING CODE

XX 6232 1XX 103 800
 XX: TRAY PACKAGE
 00: TRAY PACKAGE
 04: TAPE AND REEL
 NUMBER OF POSITIONS (03-30)

Specifications

- Number of Positions - 3-30
- Tray Packaged or SMT Tape and Reel
- Voltage - 50 V
- Current Rating - 0.50 amp max.
- Dielectric Withstanding Voltage - 500V rms/min.
- Operating Temperature - (-20°C - +70°C)
- Contact Material - phosphor bronze (tin-lead plated)
- Insulator Material - glass filled PPS or Nylon
- FFC/FPC Thickness - $0.3 \pm 0.05\text{mm}$ ($0.012 \pm 0.002''$)
- Profile Height - 3.0mm

Series 6232 LIF Right Angle SMT (Bottom Contact)



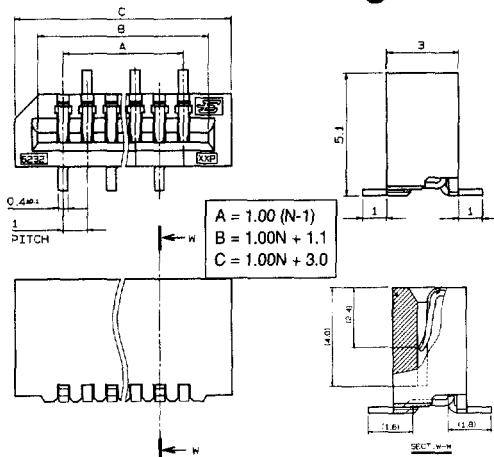
ORDERING CODE

XX 6232 1XX 102 800
 XX: TRAY PACKAGE
 00: TRAY PACKAGE
 04: TAPE AND REEL
 NUMBER OF POSITIONS (03-30)

Specifications

- Number of Positions - 3-30
- Tray Packaged or SMT Tape and Reel
- Voltage - 50 V
- Current Rating - 0.50 amp max.
- Dielectric Withstanding Voltage - 500V rms/min.
- Operating Temperature - (-20°C - +70°C)
- Contact Material - phosphor bronze (tin-lead plated)
- Insulator Material - glass filled PPS or Nylon
- FFC/FPC Thickness - $0.3 \pm 0.05\text{mm}$ ($0.012 \pm 0.002''$)
- Profile Height - 3.0mm

Series 6232 LIF Straight SMT



ORDERING CODE

XX 6232 1XX 0XX 800
 XX: TRAY PACKAGE
 00: TRAY PACKAGE
 04: TAPE AND REEL
 NUMBER OF POSITIONS (03-30)

Specifications

- Number of Positions - 3-30
- Tray Packaged or SMT Tape and Reel
- Voltage - 50 V
- Current Rating - 0.50 amp max.
- Dielectric Withstanding Voltage - 500V rms/min.
- Operating Temperature - (-20°C - +70°C)
- Contact Material - phosphor bronze (tin-lead plated)
- Insulator Material - glass filled PPS or Nylon
- FFC/FPC Thickness - $0.3 \pm 0.05\text{mm}$ ($0.012 \pm 0.002''$)
- Profile Height - 5.1mm (0.118 - 0.200") (see sketch)

Additional information on this product is available from AVX's catalog or AVX's FAX Service. Call 1-800-879-1613 and request document #292. Visit our website <http://www.avxcorp.com>

