

DATA CONTAINED IN THIS DOCUMENT IS PROPRIETARY TO TROMPETER ELECTRONICS INC. AND SHALL NOT BE DISCLOSED, COPIED OR USED FOR PROCUREMENT OR MANUFACTURE WITHOUT EXPRESS WRITTEN PERMISSION OF TROMPETER ELECTRONICS INC.

REVISIONS 305-1515 SH 1

REV	DESCRIPTION	DATE	APPROVED
A	PRODUCTION RELEASE		

DASH NO	CONNECTOR TYPE	MATERIAL ⁴	ASSEMBLE PER	FIG	MTG HOLE FIG
-1	PL75	310-0002-9	SHT 2	1A	—
-2	CJ70	3-0043-9		2A	—
-3	BJ79	3-0018-9		3A	10
-4	BJ74	3-0055-9		4A	11
-5(S)	PL375(S)	315-0011-9		1B	—
-6(S)	CJ370(S)	3-0066-9		2B	—
-7(S)	BJ379(S)	3-0074-9		3B	10
-8(S)	BJ374(S)	3-0073-9		4B	11
-9	PL74	310-0025-9		5A	—
-10	CJ70TL	3-0217-9		6A	—
-11	BJ79TL	3-0112-9		7A	10
-12	BJ74TL	3-0105-9		8A	11
-13	PL75FL	310-0006-9		5B	—
-14	CJ70FL	3-0101-9		6B	—
-15	BJ79FL	3-0052-9		7B	10
-16	BJ74FL	3-0099-9		8B	11
-17	PL73	310-0038-9		9	—

FIG 1

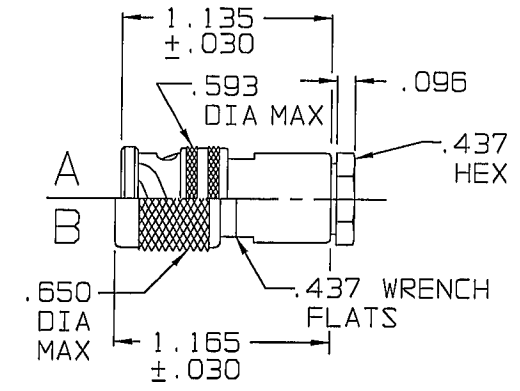


FIG 2

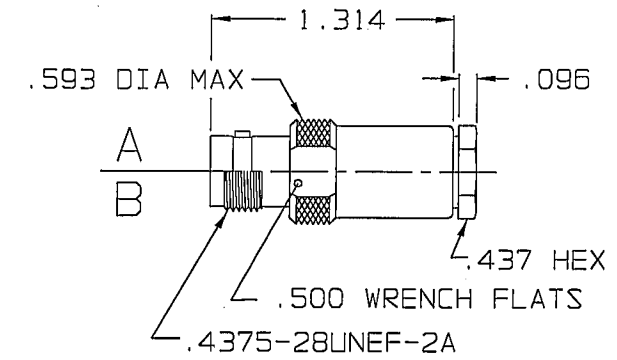


FIG 3

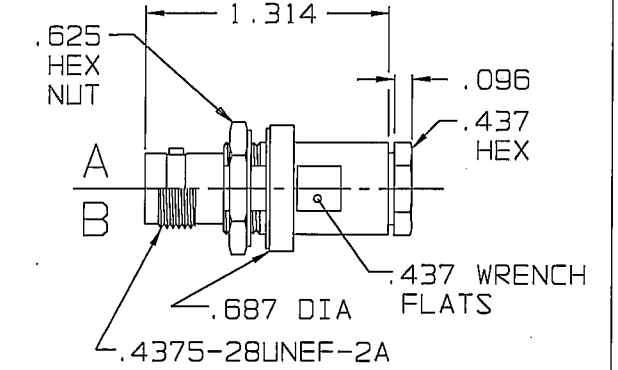


FIG 4

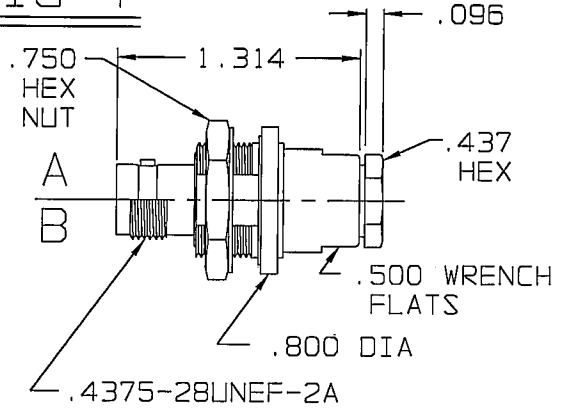


FIG 5

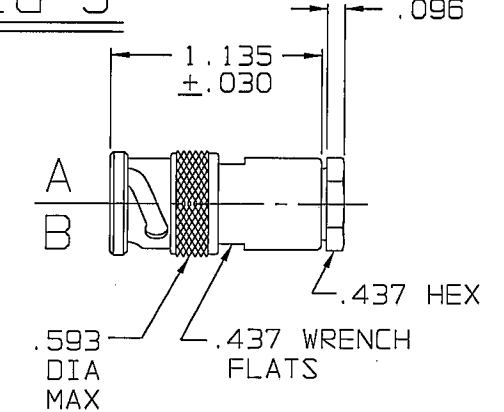


FIG 6

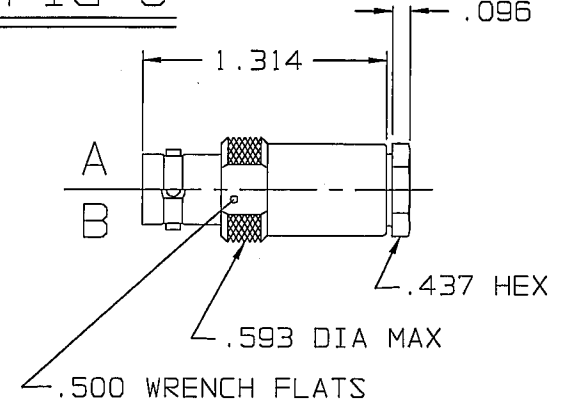
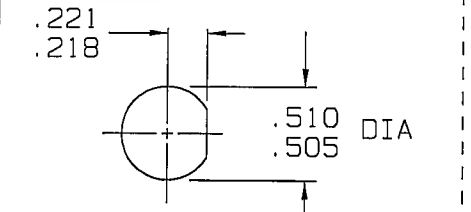
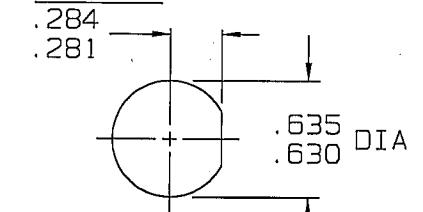


FIG 10



RECOMMENDED PANEL CUTOUT
MAX PNL THK .109

FIG 11



RECOMMENDED PANEL CUTOUT
MAX PNL THK .140

5. EXAMPLE OF COMPLETE P/N:
305-1515-1 T S
BASIC PART CONNECTOR NO. TYPE DASH NO. | OPTIONAL SAFETY WIRE HOLE (-5 THRU -8 ONLY) | SEE NOTE ⁴

⁴ EXCEPT REPLACE CLAMP NUT 8-1580-9 WITH CLAMP NUT 8-1580-3 AND CONE INSERT 8-1593-9 AND NOTCHED INSERT 8-1600-1 WITH CONE INSERT 8-2740-7

3. CONCENTRIC TWINAX/TRIAX, 2-LUG, 3-LUG, 4-LUG AND THREADED CABLE PLUGS/RECEPTACLES, INSULATED & NONINSULATED BULKHEAD MOUNT RECEPTACLES & PUSH-ON CABLE PLUGS FOR CABLE 114329

2. FINISH TFS-1A (NICKEL)

1. ALL DIM ARE IN INCHES

⁶ POLARIZATION LETTER I.A.W MATERIAL CALL-OUT. NONE REQUIRED FOR STANDARD

RED INDICATES ORIGINAL

INTERPRET DRAWING PER MIL-STD-100 DIMENSIONS ARE IN INCHES AND INCLUDE FINISH THICKNESS UNLESS OTHERWISE SPECIFIED		TOL: UNLESS SPECIFIED .XX ± .02 .XXX ± .010 .XXXX ANGLE		TROMPETER ELECTRONICS, INC.
DRAWN AAH	DATE 12-11-01	MATERIAL: ⁴	TITLE: "70" SERIES-114329 F.O.S	
CHECKED [Signature]	DATE 12-12-01	FINISH:	SIZE CAGE CODE DRAWING NO. REV. A 14949 305-1515 A	
QUALITY [Signature]	DATE 12-12-01	DO NOT SCALE DWG	SCALE NONE DATE: 12-13-01 SHEET 1 OF 2	
MANUF [Signature]	DATE 12/13/01			
APPROVED [Signature]	DATE 12/12/01			
CAD FILE NO. 305-1515A1				