



# Type N Attenuator, 50 Watt

## Specifications

**Electrical:**

- Freq. Range: DC-6, 12.4, 18 GHz
- VSWR:
 

DC-6 GHz	1.25:1 Max
6 – 12.4 GHz	1.35:1 Max
12.4 – 18 GHz	1.45:1 Max
- Attenuation Accuracy:
 

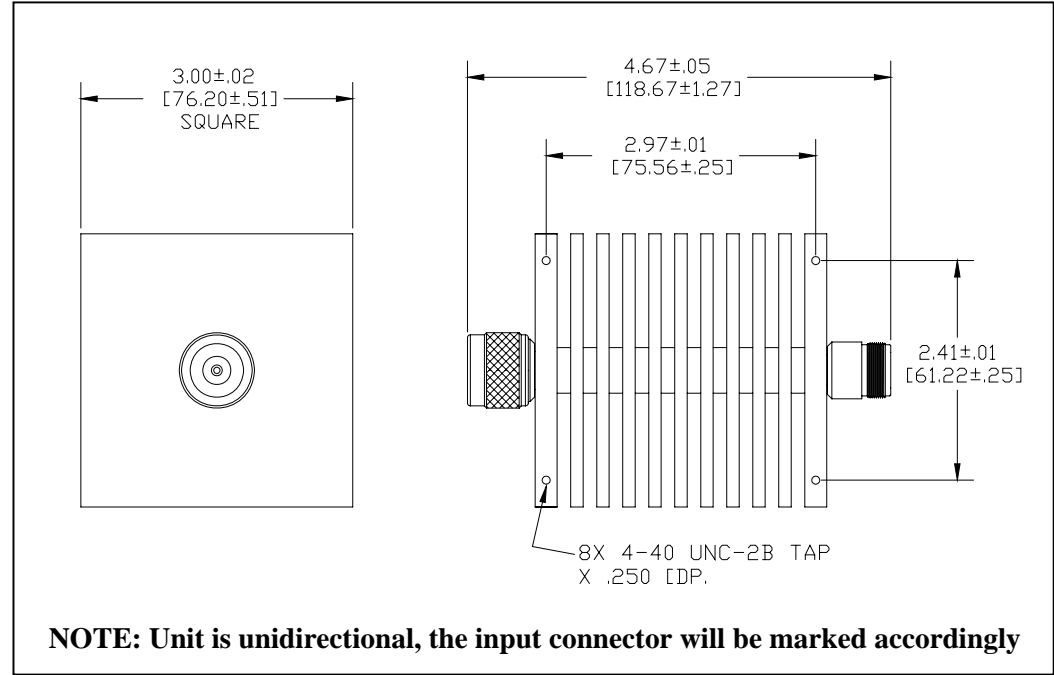
	<u>DC-6 GHz</u>	<u>6-12.4 GHz</u>	<u>12.4-18 GHz</u>	
3, 6 dB	±0.75	±0.75	±0.75	dB Max
10, 20 dB	±0.75	±0.75	±1.00	dB Max
30 dB	±0.75	±1.00	±1.25	dB Max
40 dB	±1.00	±1.25	±1.50	dB Max
- Power (Avg): 50 Watts  
(Derated linearly to 10 Watt @ +125 °C)
- Power (Peak): 500 Watts  
(5usec, 0.05% Duty Cycle)
- Impedance: 50 Ohms
- Operating Temperature: -65 °C to +125 °C

**Mechanical:**

- Finish:
 

Connectors	Passivated Stainless Steel
Conductors	Gold Plated Beryllium Copper
Heat Sink	Black Anodized Aluminum

## Outline Drawing



## Ordering Guide

Part Number Format: 3082-7550-FF-XX  
 (FF = 06 for 6 GHz; 12 for 12.4 GHz; 18 for 18 GHz)  
 (XX = 03,06,10,20,30,40 dB standard values)  
 Contact factory for other dB values or connector configurations

Rev: A0 010708DC