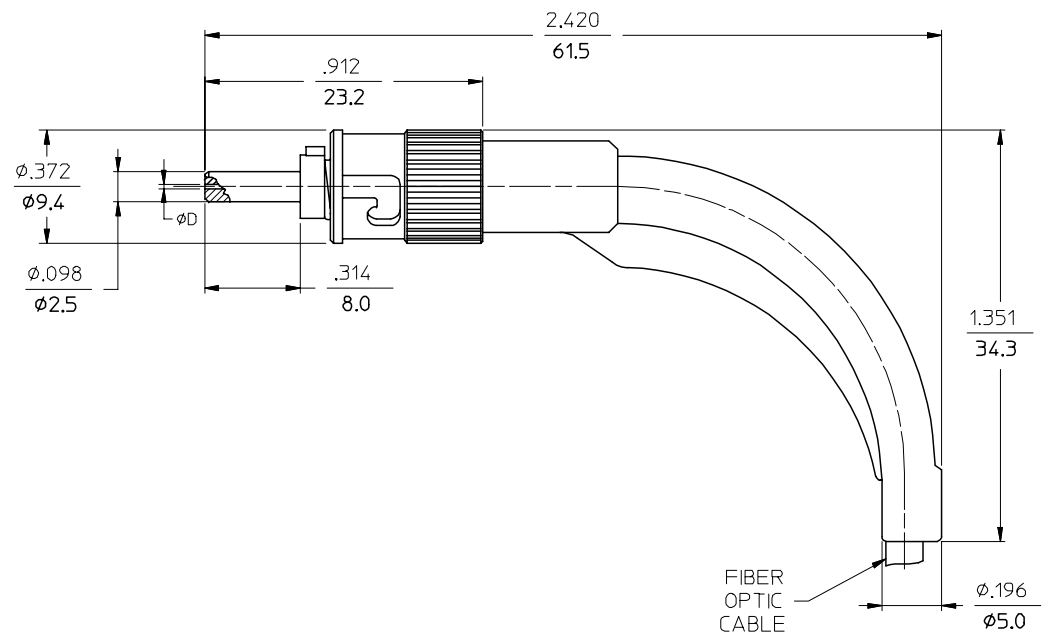


P/N of CONNECTOR	D (ym)	MATERIAL of FERRULE	DIAMETER of CABLE	COLOR of BOOT	CABLE TYPE	
86012-0400	127	Zr PLUS	3 mm	BLACK	MULTIMODE	
86012-0440				RED		
86012-0600			2.4 mm	BLACK		
86012-0640				RED		
86012-3400	128	Zr	3 mm	BLACK		SINGLE MODE
86012-3440				RED		
86012-3600			2.4 mm	BLACK		
86012-3640				RED		
86012-5400	126	Zr	3 mm	BLACK	SINGLE MODE	
86012-5440				RED		
86012-5600			2.4 mm	BLACK		
86012-5640				RED		
86012-7400	127	METAL	3 mm	BLACK		MULTIMODE
86012-7440				RED		
86012-7600			2.4 mm	BLACK		
86012-7640				RED		
86012-8400	127	METAL	3 mm	BLACK	MULTIMODE	
86012-8440				RED		
86012-8600			2.4 mm	BLACK		
86012-8640				RED		



ALL DIMENSIONS ARE GIVEN IN $\frac{\text{INCHES}}{\text{mm}}$.

ENTER DESCRIPTION EC NO: MF2005-0382 DRW: KPEVZNER CHKD: 2005/02/09 APPR: IGUMIN 2005/03/17	DESCRIPTION REV: D	QUALITY SYMBOLS	GENERAL TOLERANCES (UNLESS SPECIFIED)	DIMENSION STYLE	SCALE	DESIGN UNITS	THIRD ANGLE PROJECTION
		$\nabla=0$ $\nabla=0$	mm INCH 4 PLACES ± --- ± --- 3 PLACES ± --- ± --- 2 PLACES ± --- ± --- 1 PLACE ± --- ± --- ANGULAR ±1/2°	IN/MM	4:1	INCH	ST CONNECTOR
			DRAFT WHERE APPLICABLE MUST REMAIN WITHIN DIMENSIONS	DRAWN BY DATE	CHECKED BY DATE	TITLE	
				APPROVED BY DATE	MATERIAL NO.	DOCUMENT NO.	SHEET NO.
			SEE TABLE	86012-XXX0CD	1 OF 1		
THIS DRAWING CONTAINS INFORMATION THAT IS PROPRIETARY TO MOLEX INCORPORATED AND SHOULD NOT BE USED WITHOUT WRITTEN PERMISSION							