
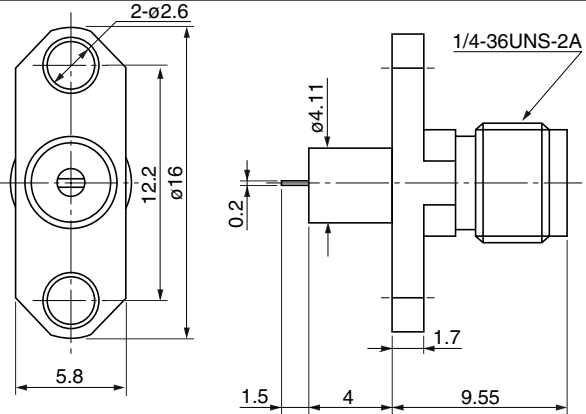

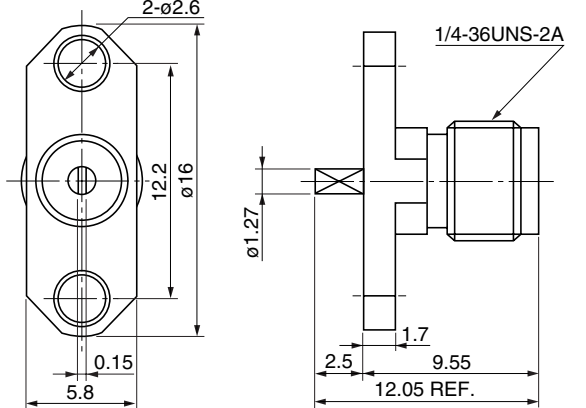

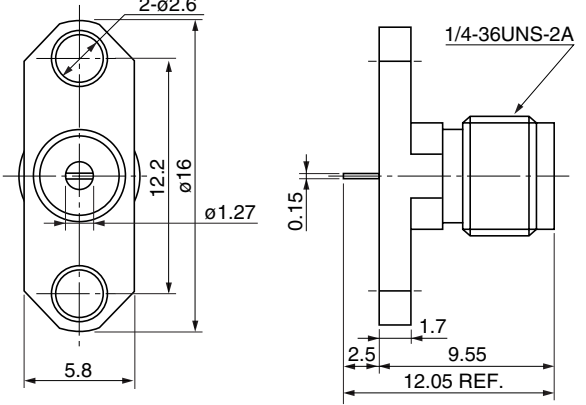

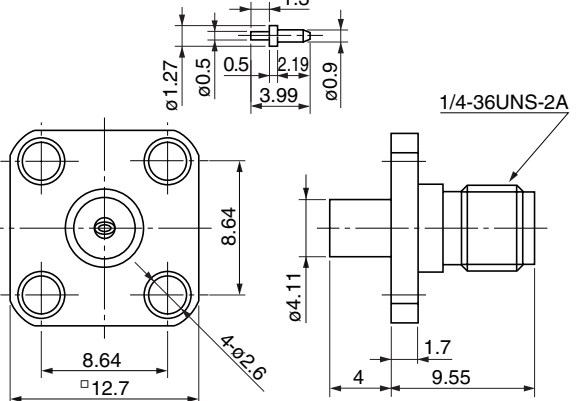


FLA Series of Panel-mounted Jack Receptacles

		<p><b>Two-hole panel-mounted jack receptacles with tab terminal</b></p> <p><b>FLA-H-SRF11</b> <b>FLA-H-SRF11G</b></p>
		<p><b>Two-hole panel-mounted jack receptacles with tab terminal</b></p> <p><b>FLA-H-SRF31</b> <b>FLA-H-SRF31G</b></p>
		<p><b>Two-hole panel-mounted jack receptacles with tab terminal</b></p> <p><b>FLA-H-SRF32</b> <b>FLA-H-SRF32G</b></p>
		<p><b>Four-hole panel-mounted jack receptacles with round pin contact</b></p> <p><b>FLA-H-SRF1</b> <b>FLA-H-SRF1G</b></p>