

# SPECIFICATION

MODEL : SPMWHT5206

Approved rank :

$V_F(C0)$ , CIE(A, B, K, C, D, E, F, P, R, T, U, V, W),  $I_v(S0)$

WHITE LED

*SAMSUNG LED CO., LTD.*

314. MAETAN 3-DONG, YEONGTONG-GU,  
SUWON-SI, GYEONGGI-DO, KOREA, 443-743

# Contents

|     |   |    |
|-----|---|----|
| 1.  | Product Outline -----                     | 3  |
| 2.  | Absolute Maximum Rating -----             | 3  |
| 3.  | Characteristics -----                     | 3  |
| 4.  | Chromaticity Diagram -----                | 8  |
| 5.  | Typical Characteristic Graph -----        | 9  |
| 6.  | Outline Drawing & Dimension -----         | 10 |
| 7.  | Reliability Test Items & Conditions ----- | 11 |
| 8.  | Solder Conditions -----                   | 12 |
| 9.  | Taping Dimension -----                    | 13 |
| 10. | Label Structure -----                     | 14 |
| 11. | Lot Number -----                          | 14 |
| 12. | Reel Packing Structure -----              | 15 |
| 13. | Aluminum Packing Bag -----                | 16 |
| 14. | Precaution For Use -----                  | 17 |
| 15. | Hazard Substance Analysis -----           | 19 |
| 16. | Revision history -----                    | 23 |

# 1. Product Outline

## 1) Feature

- . Lead Frame Type LED Package ( 5.2 \* 6.0 \* t 1.3 mm )
- . Beam Angle (  $\Delta\theta$  : 120° )
- . AlGaInP, GaN/Al<sub>2</sub>O<sub>3</sub> Chip & Long Time Reliability

## 2) Applications

- . Indoor, Outdoor Display and etc.

# 2. Absolute Maximum Rating

- 1). Operation Forward Current Per Chip..... 90 mA
- 2). Peak Pulsed Forward Current Per Chip..... 200 mA  
(Duty 1/10 Pulse Width 10 ms)
- 3). Reverse Current..... 85 mA
- 4). Operating Temperature Range ( T<sub>opr</sub> ) ..... -30 °C ~ 85 °C
- 5). Storage Temperature Range ( T<sub>stg</sub> ) ..... -40 °C ~ 100 °C

# 3. Characteristics

## Electrical/ Optical Characteristics

( Ta : 25 °C )

| Item                | Symbol         | Conditions             | Rank | Min. | Typ. | Max. | Unit |
|---------------------|----------------|------------------------|------|------|------|------|------|
| Forward Voltage (*) | V <sub>F</sub> | I <sub>F</sub> = 60 mA | C0   | 3.0  | -    | 3.5  | V    |
| Reverse Voltage     | V <sub>r</sub> | I <sub>R</sub> = 10 mA | -    | 0.6  | -    | 2.0  | V    |
| Color Rendering     | R <sub>a</sub> | I <sub>F</sub> = 60 mA | 2    | -    | -    | 70   | -    |
|                     |                |                        | 5    | 78   | -    | -    | -    |

\* Tolerance : V<sub>F</sub>:±0.1 V, I<sub>V</sub>:±5 %, x,y:±0.01, R<sub>a</sub> :±3.0

\* Luminous Intensity measuring equipment : CAS140CT

**Luminous Intensity**

( Ta : 25 °C )

| Item                   | Symbol             | Conditions             | Rank | Model Name         | Vf<br>Sorting | Min. | Typ. | Max. | Unit |
|------------------------|--------------------|------------------------|------|--------------------|---------------|------|------|------|------|
| Luminous Intensity (*) | I <sub>v</sub>     | I <sub>F</sub> = 60 mA | A0   | SPMWHT5206N2CAA0S0 | 0.1 V         | 4.8  | 5.2  | 6.5  | cd   |
|                        |                    |                        | B0   | SPMWHT5206N2CAB0S0 | 0.1 V         | 4.8  | 5.5  | 6.5  |      |
|                        |                    |                        | K0   | SPMWHT5206N2C0K0S0 | 전체            | 4.6  | 5.5  | 6.5  |      |
|                        |                    |                        | C0   | SPMWHT5206N2CAC0S0 | 0.1 V         | 5.2  | 6.2  | 7.2  |      |
|                        |                    |                        |      | SPMWHT5206N2C0C0S0 | 전체            |      |      |      |      |
|                        |                    |                        | D0   | SPMWHT5206N2CAD0S0 | 0.1 V         | 5.3  | 6.3  | 7.3  |      |
|                        |                    |                        |      | SPMWHT5206N2C0D0S0 | 전체            |      |      |      |      |
|                        |                    |                        | E0   | SPMWHT5206N2CAE0S0 | 0.1 V         | 5.0  | 6.0  | 7.0  |      |
|                        |                    |                        |      | SPMWHT5206N2C0E0S0 | 전체            |      |      |      |      |
|                        |                    |                        | F0   | SPMWHT5206N2CAF0S0 | 0.1 V         | 4.5  | 5.5  | 6.5  |      |
|                        |                    |                        |      | SPMWHT5206N2C0F0S0 | 전체            |      |      |      |      |
|                        |                    |                        | P0   | SPMWHT5206N5CAP0S0 | 0.1 V         | 4.6  | 5.5  | 6.5  |      |
|                        |                    |                        |      | SPMWHT5206N5C0P0S0 | 전체            |      |      |      |      |
|                        |                    |                        | R0   | SPMWHT5206N5CAR0S0 | 0.1 V         | 4.6  | 5.5  | 6.5  |      |
|                        |                    |                        |      | SPMWHT5206N5C0R0S0 | 전체            |      |      |      |      |
|                        |                    |                        | T0   | SPMWHT5206N5CAT0S0 | 0.1 V         | 4.5  | 5.3  | 6.4  |      |
|                        |                    |                        |      | SPMWHT5206N5C0T0S0 | 전체            |      |      |      |      |
|                        |                    |                        | U0   | SPMWHT5206N5CAU0S0 | 0.1 V         | 4.3  | 5.2  | 6.2  |      |
|                        |                    |                        |      | SPMWHT5206N5C0U0S0 | 전체            |      |      |      |      |
|                        |                    |                        | V0   | SPMWHT5206N5CAV0S0 | 0.1 V         | 4.0  | 4.9  | 5.9  |      |
| SPMWHT5206N5C0V0S0     | 전체                 |                        |      |                    |               |      |      |      |      |
| W0                     | SPMWHT5206N5CAW0S0 | 0.1 V                  | 4.0  | 4.9                | 5.9           |      |      |      |      |
|                        | SPMWHT5206N5C0W0S0 | 전체                     |      |                    |               |      |      |      |      |

### Chromaticity Coordinate

( Ta : 25 °C )

| Item                        | Condition  | Rank | x  |        |        |        | y      |        |        |        |        |
|-----------------------------|------------|------|----|--------|--------|--------|--------|--------|--------|--------|--------|
| Chromaticity Coordinate (*) | If = 60 mA | A0   | A1 | 0.2771 | 0.2869 | 0.2833 | 0.2725 | 0.2507 | 0.2698 | 0.2763 | 0.2564 |
|                             |            |      | A2 | 0.2869 | 0.2976 | 0.2951 | 0.2833 | 0.2698 | 0.2906 | 0.2981 | 0.2763 |
|                             |            |      | A3 | 0.2725 | 0.2833 | 0.2799 | 0.2684 | 0.2564 | 0.2763 | 0.2826 | 0.2615 |
|                             |            |      | A4 | 0.2833 | 0.2951 | 0.2926 | 0.2799 | 0.2763 | 0.2981 | 0.3057 | 0.2826 |
|                             |            | B0   | B1 | 0.2976 | 0.3081 | 0.3064 | 0.2951 | 0.2906 | 0.3110 | 0.3191 | 0.2981 |
|                             |            |      | B2 | 0.3081 | 0.3190 | 0.3177 | 0.3064 | 0.3110 | 0.3322 | 0.3402 | 0.3191 |
|                             |            |      | B3 | 0.2951 | 0.3064 | 0.3046 | 0.2926 | 0.2981 | 0.3191 | 0.3277 | 0.3057 |
|                             |            |      | B4 | 0.3064 | 0.3177 | 0.3162 | 0.3046 | 0.3191 | 0.3402 | 0.3489 | 0.3277 |
|                             |            | K0   | K1 | 0.2940 | 0.3000 | 0.3060 | 0.3020 | 0.3100 | 0.3200 | 0.3020 | 0.2970 |
|                             |            |      | K2 | 0.3000 | 0.3050 | 0.3110 | 0.3060 | 0.3200 | 0.3300 | 0.3080 | 0.3020 |
|                             |            |      | K3 | 0.3050 | 0.3110 | 0.3150 | 0.3110 | 0.3300 | 0.3400 | 0.3150 | 0.3080 |
|                             |            |      | K4 | 0.3110 | 0.3165 | 0.3200 | 0.3150 | 0.3400 | 0.3480 | 0.3255 | 0.3150 |
|                             |            |      | K5 | 0.3165 | 0.3220 | 0.3280 | 0.3200 | 0.3480 | 0.3580 | 0.3450 | 0.3255 |
|                             |            | C0   | C1 | 0.3287 | 0.3375 | 0.3232 | 0.3145 | 0.3118 | 0.3271 | 0.3312 | 0.3161 |
|                             |            |      | C2 | 0.3375 | 0.3462 | 0.3323 | 0.3232 | 0.3271 | 0.3422 | 0.3470 | 0.3312 |
|                             |            |      | C3 | 0.3462 | 0.3560 | 0.3418 | 0.3323 | 0.3422 | 0.3593 | 0.3637 | 0.3470 |
|                             |            |      | C4 | 0.3560 | 0.3667 | 0.3526 | 0.3418 | 0.3593 | 0.3777 | 0.3825 | 0.3637 |
|                             |            | D0   | D1 | 0.3639 | 0.3729 | 0.3572 | 0.3481 | 0.3407 | 0.3557 | 0.3607 | 0.3455 |
|                             |            |      | D2 | 0.3729 | 0.3824 | 0.3668 | 0.3572 | 0.3557 | 0.3714 | 0.3766 | 0.3607 |
|                             |            |      | D3 | 0.3824 | 0.3923 | 0.3770 | 0.3668 | 0.3714 | 0.3880 | 0.3934 | 0.3766 |
|                             |            |      | D4 | 0.3923 | 0.4028 | 0.3877 | 0.3770 | 0.3880 | 0.4055 | 0.4111 | 0.3934 |
|                             |            | E0   | E1 | 0.4070 | 0.3884 | 0.3786 | 0.3584 | 0.3732 | 0.3796 | 0.3651 | 0.4070 |
|                             |            |      | E2 | 0.4174 | 0.3990 | 0.3884 | 0.3732 | 0.3885 | 0.3953 | 0.3796 | 0.4174 |
|                             |            |      | E3 | 0.4285 | 0.4101 | 0.3990 | 0.3885 | 0.4048 | 0.4117 | 0.3953 | 0.4285 |
|                             |            |      | E4 | 0.4403 | 0.4225 | 0.4101 | 0.4048 | 0.4223 | 0.4300 | 0.4117 | 0.4403 |
|                             |            | F0   | F1 | 0.4493 | 0.4250 | 0.4108 | 0.3703 | 0.3856 | 0.3943 | 0.3788 | 0.4493 |
|                             |            |      | F2 | 0.4640 | 0.4402 | 0.4250 | 0.3856 | 0.4016 | 0.4108 | 0.3943 | 0.4640 |
|                             |            |      | F3 | 0.4792 | 0.4557 | 0.4402 | 0.4016 | 0.4182 | 0.4277 | 0.4108 | 0.4792 |
|                             |            |      | F4 | 0.4957 | 0.4726 | 0.4557 | 0.4182 | 0.4361 | 0.4461 | 0.4277 | 0.4957 |

Chromaticity Coordinate

( Ta : 25 °C )

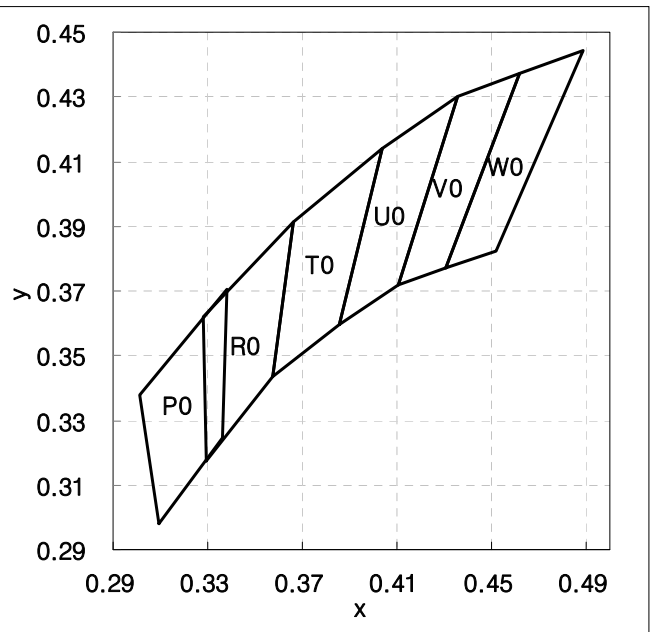
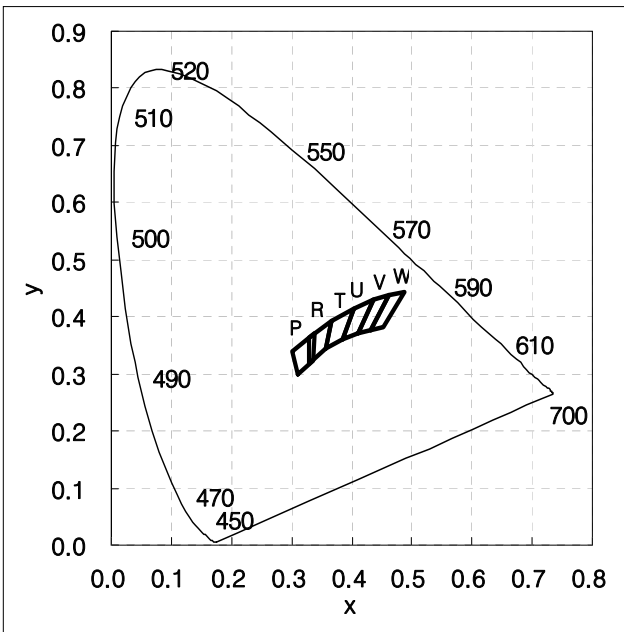
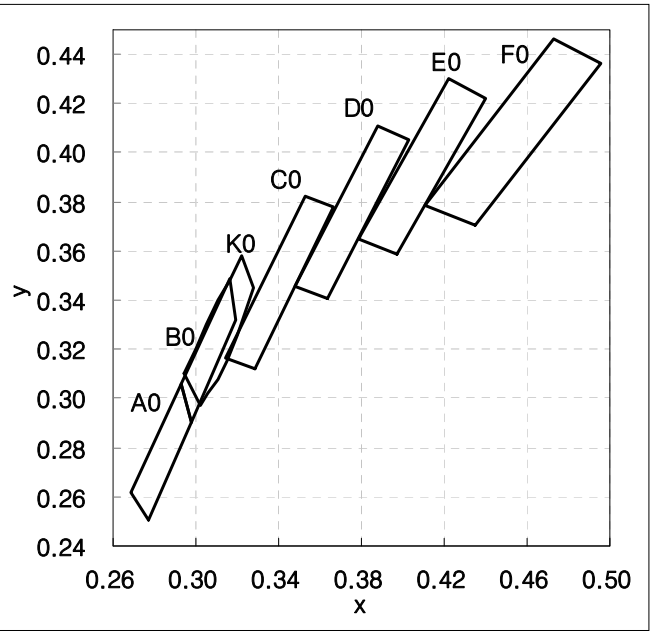
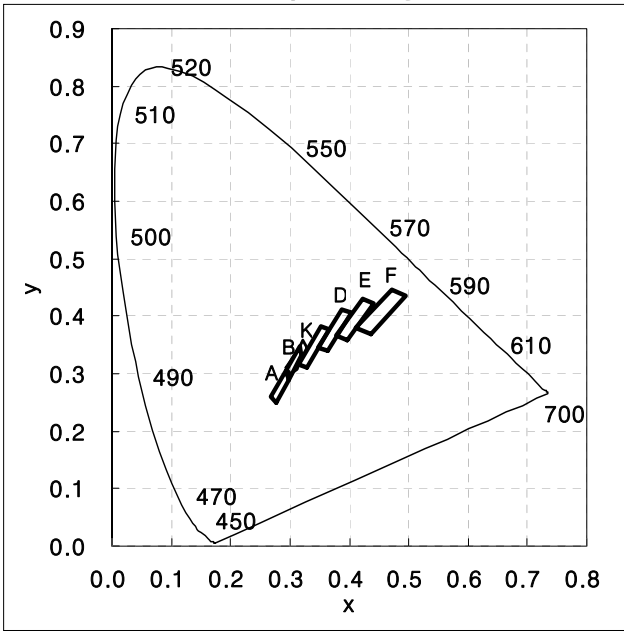
| Item                        | Condition              | Rank | x      |        |        |        | y      |        |        |        |        |
|-----------------------------|------------------------|------|--------|--------|--------|--------|--------|--------|--------|--------|--------|
|                             |                        |      |        |        |        |        |        |        |        |        |        |
| Chromaticity Coordinate (*) | I <sub>F</sub> = 60 mA | P0   | P1     | 0.3096 | 0.3164 | 0.3145 | 0.3068 | 0.2979 | 0.3046 | 0.3187 | 0.3113 |
|                             |                        |      | P2     | 0.3164 | 0.3232 | 0.3221 | 0.3145 | 0.3046 | 0.3114 | 0.3261 | 0.3187 |
|                             |                        |      | P3     | 0.3232 | 0.3292 | 0.3289 | 0.3222 | 0.3114 | 0.3175 | 0.3302 | 0.3243 |
|                             |                        |      | P4     | 0.3292 | 0.3361 | 0.3366 | 0.3289 | 0.3175 | 0.3244 | 0.3369 | 0.3302 |
|                             |                        |      | P5     | 0.3068 | 0.3145 | 0.3131 | 0.3048 | 0.3113 | 0.3187 | 0.3290 | 0.3209 |
|                             |                        |      | P6     | 0.3145 | 0.3221 | 0.3213 | 0.3131 | 0.3187 | 0.3261 | 0.3371 | 0.3290 |
|                             |                        |      | P7     | 0.3222 | 0.3289 | 0.3287 | 0.3214 | 0.3243 | 0.3302 | 0.3417 | 0.3354 |
|                             |                        |      | P8     | 0.3289 | 0.3366 | 0.3371 | 0.3287 | 0.3302 | 0.3369 | 0.3490 | 0.3417 |
|                             |                        |      | P9     | 0.3048 | 0.3131 | 0.3117 | 0.3028 | 0.3209 | 0.3290 | 0.3393 | 0.3304 |
|                             |                        |      | PA     | 0.3131 | 0.3213 | 0.3205 | 0.3117 | 0.3290 | 0.3371 | 0.3481 | 0.3393 |
|                             |                        |      | PB     | 0.3214 | 0.3287 | 0.3285 | 0.3207 | 0.3354 | 0.3417 | 0.3533 | 0.3462 |
|                             |                        |      | PC     | 0.3287 | 0.3371 | 0.3376 | 0.3285 | 0.3417 | 0.3490 | 0.3616 | 0.3533 |
|                             |                        |      | PD     | 0.3028 | 0.3117 | 0.3107 | 0.3012 | 0.3304 | 0.3393 | 0.3464 | 0.3380 |
|                             |                        |      | PE     | 0.3117 | 0.3205 | 0.3200 | 0.3107 | 0.3393 | 0.3481 | 0.3546 | 0.3464 |
|                             |                        |      | PF     | 0.3207 | 0.3285 | 0.3283 | 0.3200 | 0.3462 | 0.3533 | 0.3619 | 0.3546 |
|                             |                        |      | PG     | 0.3285 | 0.3376 | 0.3379 | 0.3283 | 0.3533 | 0.3616 | 0.3704 | 0.3619 |
|                             |                        | R0   | R1     | 0.3292 | 0.3361 | 0.3366 | 0.3289 | 0.3175 | 0.3238 | 0.3369 | 0.3302 |
|                             |                        |      | R2     | 0.3361 | 0.3429 | 0.3440 | 0.3366 | 0.3238 | 0.3301 | 0.3428 | 0.3369 |
|                             |                        |      | R3     | 0.3429 | 0.3498 | 0.3515 | 0.3440 | 0.3301 | 0.3365 | 0.3487 | 0.3428 |
|                             |                        |      | R4     | 0.3498 | 0.3574 | 0.3590 | 0.3512 | 0.3365 | 0.3434 | 0.3521 | 0.3465 |
|                             |                        |      | R5     | 0.3289 | 0.3366 | 0.3371 | 0.3287 | 0.3302 | 0.3369 | 0.3490 | 0.3417 |
|                             |                        |      | R6     | 0.3366 | 0.3440 | 0.3451 | 0.3371 | 0.3369 | 0.3428 | 0.3554 | 0.3490 |
|                             |                        |      | R7     | 0.3440 | 0.3515 | 0.3533 | 0.3451 | 0.3428 | 0.3487 | 0.3620 | 0.3554 |
|                             |                        |      | R8     | 0.3512 | 0.3590 | 0.3615 | 0.3529 | 0.3465 | 0.3521 | 0.3659 | 0.3597 |
|                             |                        |      | R9     | 0.3287 | 0.3371 | 0.3376 | 0.3285 | 0.3417 | 0.3490 | 0.3616 | 0.3533 |
|                             |                        |      | RA     | 0.3371 | 0.3451 | 0.3463 | 0.3376 | 0.3490 | 0.3554 | 0.3687 | 0.3616 |
|                             |                        |      | RB     | 0.3451 | 0.3533 | 0.3551 | 0.3463 | 0.3554 | 0.3620 | 0.3760 | 0.3687 |
|                             |                        |      | RC     | 0.3529 | 0.3615 | 0.3641 | 0.3548 | 0.3597 | 0.3659 | 0.3804 | 0.3736 |
|                             |                        |      | RD     | 0.3285 | 0.3376 | 0.3379 | 0.3283 | 0.3533 | 0.3616 | 0.3694 | 0.3619 |
|                             |                        |      | RE     | 0.3376 | 0.3463 | 0.3470 | 0.3379 | 0.3616 | 0.3687 | 0.3765 | 0.3694 |
|                             |                        | RF   | 0.3463 | 0.3551 | 0.3561 | 0.3470 | 0.3687 | 0.3760 | 0.3835 | 0.3765 |        |
|                             |                        | RG   | 0.3548 | 0.3641 | 0.3661 | 0.3561 | 0.3736 | 0.3804 | 0.3914 | 0.3835 |        |
|                             |                        | T0   | T1     | 0.3574 | 0.3647 | 0.3670 | 0.3590 | 0.3434 | 0.3475 | 0.3578 | 0.3521 |
|                             |                        |      | T2     | 0.3647 | 0.3753 | 0.3783 | 0.3670 | 0.3475 | 0.3536 | 0.3646 | 0.3578 |
|                             |                        |      | T3     | 0.3753 | 0.3859 | 0.3898 | 0.3783 | 0.3536 | 0.3597 | 0.3716 | 0.3646 |
|                             |                        |      | T4     | 0.3590 | 0.3670 | 0.3702 | 0.3615 | 0.3521 | 0.3578 | 0.3722 | 0.3659 |
|                             |                        |      | T5     | 0.3670 | 0.3783 | 0.3825 | 0.3702 | 0.3578 | 0.3646 | 0.3798 | 0.3722 |
|                             |                        |      | T6     | 0.3783 | 0.3898 | 0.3950 | 0.3825 | 0.3646 | 0.3716 | 0.3875 | 0.3798 |
|                             |                        |      | T7     | 0.3615 | 0.3702 | 0.3736 | 0.3641 | 0.3659 | 0.3722 | 0.3874 | 0.3804 |
|                             |                        |      | T8     | 0.3702 | 0.3825 | 0.3869 | 0.3736 | 0.3722 | 0.3798 | 0.3958 | 0.3874 |
| T9                          | 0.3825                 |      | 0.3950 | 0.4006 | 0.3869 | 0.3798 | 0.3875 | 0.4044 | 0.3958 |        |        |
| TA                          | 0.3641                 |      | 0.3736 | 0.3758 | 0.3661 | 0.3804 | 0.3874 | 0.3971 | 0.3914 |        |        |
| TB                          | 0.3736                 |      | 0.3869 | 0.3896 | 0.3758 | 0.3874 | 0.3958 | 0.4055 | 0.3971 |        |        |
| TC                          | 0.3869                 |      | 0.4006 | 0.4038 | 0.3896 | 0.3958 | 0.4044 | 0.4140 | 0.4055 |        |        |

### Chromaticity Coordinate

( Ta : 25 °C )

| Item                        | Condition              | Rank | x  |        |        |        | y      |        |        |        |        |
|-----------------------------|------------------------|------|----|--------|--------|--------|--------|--------|--------|--------|--------|
|                             |                        |      |    |        |        |        |        |        |        |        |        |
| Chromaticity Coordinate (*) | I <sub>F</sub> = 60 mA | U0   | U1 | 0.3859 | 0.3981 | 0.4017 | 0.3889 | 0.3597 | 0.3658 | 0.3751 | 0.3690 |
|                             |                        |      | U2 | 0.3981 | 0.4106 | 0.4147 | 0.4017 | 0.3658 | 0.3719 | 0.3814 | 0.3751 |
|                             |                        |      | U3 | 0.3889 | 0.4017 | 0.4080 | 0.3941 | 0.3690 | 0.3751 | 0.3916 | 0.3848 |
|                             |                        |      | U4 | 0.4017 | 0.4147 | 0.4221 | 0.4080 | 0.3751 | 0.3814 | 0.3984 | 0.3916 |
|                             |                        |      | U5 | 0.3941 | 0.4080 | 0.4146 | 0.3996 | 0.3848 | 0.3916 | 0.4089 | 0.4015 |
|                             |                        |      | U6 | 0.4080 | 0.4221 | 0.4299 | 0.4146 | 0.3916 | 0.3984 | 0.4165 | 0.4089 |
|                             |                        |      | U7 | 0.3996 | 0.4146 | 0.4196 | 0.4038 | 0.4015 | 0.4089 | 0.4220 | 0.4140 |
|                             |                        |      | U8 | 0.4146 | 0.4299 | 0.4358 | 0.4196 | 0.4089 | 0.4165 | 0.4301 | 0.4220 |
|                             |                        | V0   | V1 | 0.4106 | 0.4207 | 0.4259 | 0.4147 | 0.3719 | 0.3744 | 0.3853 | 0.3814 |
|                             |                        |      | V2 | 0.4207 | 0.4309 | 0.4373 | 0.4259 | 0.3744 | 0.3769 | 0.3893 | 0.3853 |
|                             |                        |      | V3 | 0.4147 | 0.4259 | 0.4342 | 0.4221 | 0.3814 | 0.3853 | 0.4028 | 0.3984 |
|                             |                        |      | V4 | 0.4259 | 0.4373 | 0.4465 | 0.4342 | 0.3853 | 0.3893 | 0.4071 | 0.4028 |
|                             |                        |      | V5 | 0.4221 | 0.4342 | 0.4430 | 0.4299 | 0.3984 | 0.4028 | 0.4212 | 0.4165 |
|                             |                        |      | V6 | 0.4342 | 0.4465 | 0.4562 | 0.4430 | 0.4028 | 0.4071 | 0.4260 | 0.4212 |
|                             |                        |      | V7 | 0.4299 | 0.4430 | 0.4490 | 0.4358 | 0.4165 | 0.4212 | 0.4337 | 0.4301 |
|                             |                        |      | V8 | 0.4430 | 0.4562 | 0.4619 | 0.4490 | 0.4212 | 0.4260 | 0.4372 | 0.4337 |
|                             |                        | W0   | W1 | 0.4309 | 0.4415 | 0.4483 | 0.4373 | 0.3769 | 0.3795 | 0.3919 | 0.3893 |
|                             |                        |      | W2 | 0.4415 | 0.4521 | 0.4593 | 0.4483 | 0.3795 | 0.3822 | 0.3944 | 0.3919 |
|                             |                        |      | W3 | 0.4373 | 0.4483 | 0.4582 | 0.4465 | 0.3893 | 0.3919 | 0.4099 | 0.4071 |
|                             |                        |      | W4 | 0.4483 | 0.4593 | 0.4700 | 0.4582 | 0.3919 | 0.3944 | 0.4126 | 0.4099 |
|                             |                        |      | W5 | 0.4465 | 0.4582 | 0.4687 | 0.4562 | 0.4071 | 0.4099 | 0.4289 | 0.4260 |
|                             |                        |      | W6 | 0.4582 | 0.4700 | 0.4813 | 0.4687 | 0.4099 | 0.4126 | 0.4319 | 0.4289 |
|                             |                        |      | W7 | 0.4562 | 0.4687 | 0.4752 | 0.4619 | 0.4260 | 0.4289 | 0.4407 | 0.4372 |
|                             |                        |      | W8 | 0.4687 | 0.4813 | 0.4886 | 0.4752 | 0.4289 | 0.4319 | 0.4443 | 0.4407 |

### 4. Chromaticity Diagram

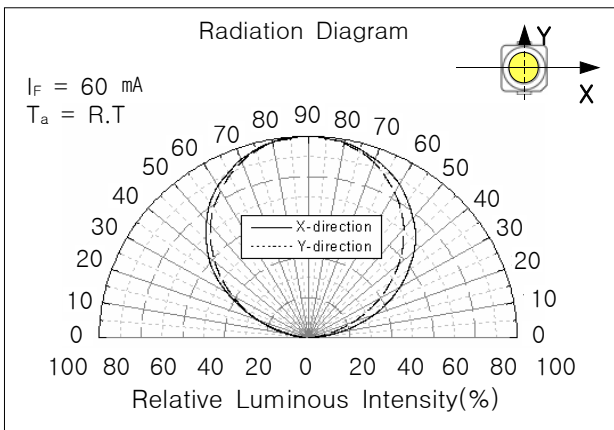
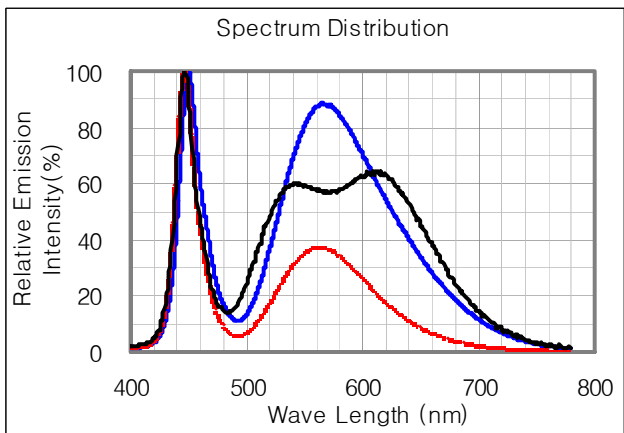
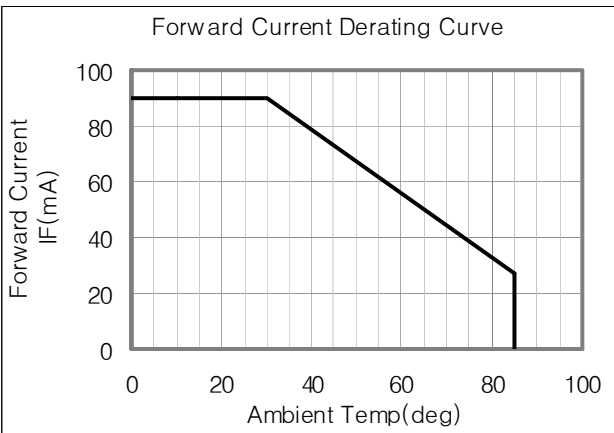
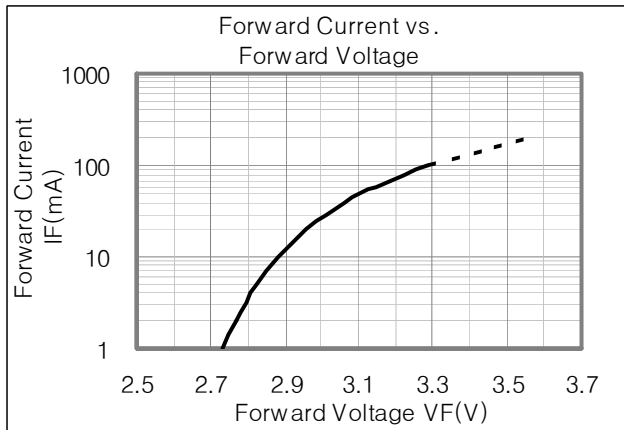
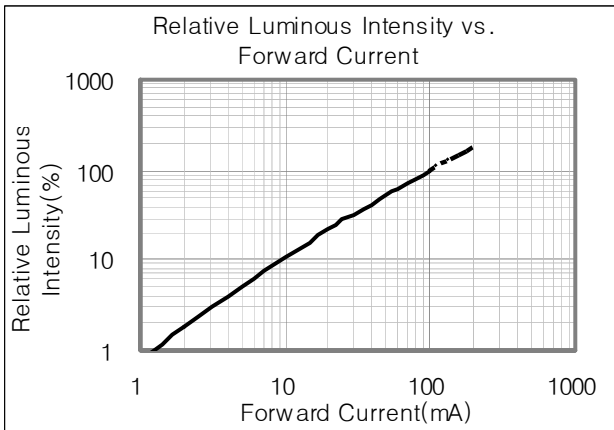




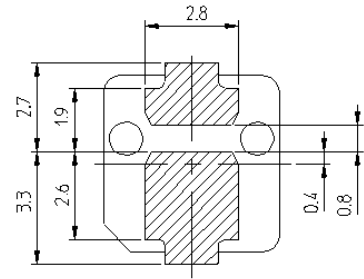
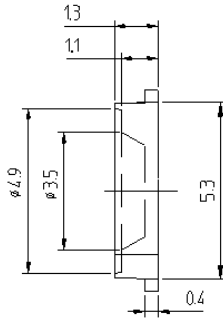
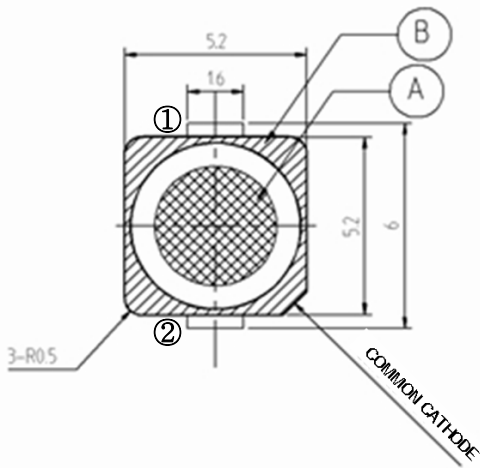
## 5. Typical Characteristics Graph

\* These graphs show typical values.

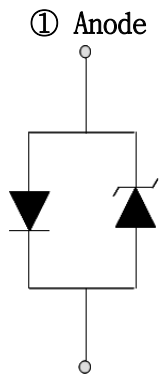
( Ta : 25 °C )



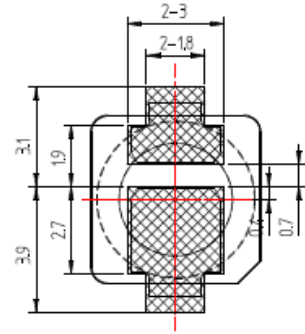
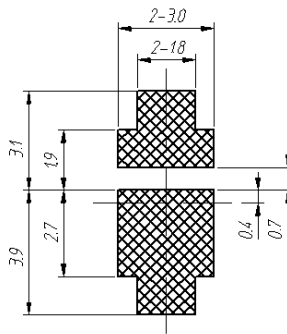
## 6. LED Package Outline Dimensions



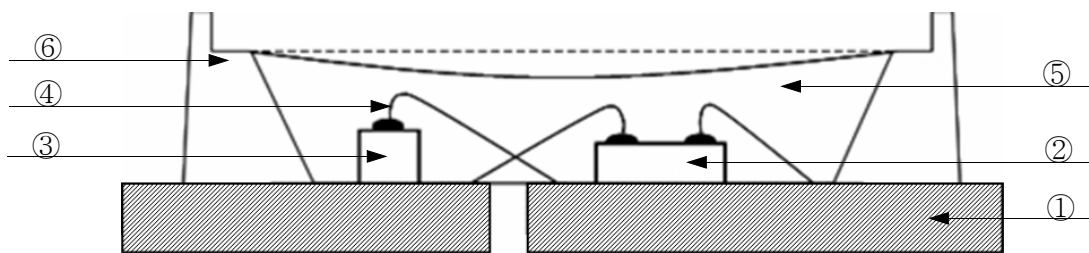
1. Tolerance is  $\pm 0.1\text{mm}$ .
2. Do not place pressure on the encapsulating resin ('A').
3. The maximum compressing force is 15N on the polymer ('B').



① Anode  
② Cathode  
Circuit Diagram



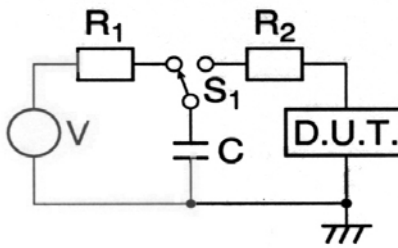
Land Pattern



| NUMBER | ITEM        | MATERIAL                           |
|--------|-------------|------------------------------------|
| ①      | FRAME       | Copper Frame(Silver Plated)        |
| ②      | LED CHIP    | GaN/Al <sub>2</sub> O <sub>3</sub> |
| ③      | Zener Diode | Si                                 |
| ④      | WIRE        | Gold Wire                          |
| ⑤      | RESIN       | Silicone + Phosphor                |
| ⑥      | PACKAGE     | Heat-resistant Polymer             |

## 7. Reliability Test Items and Conditions

### 1) Test Items

| Test Item                           | Test Conditions   | Test Hours/Cycles | Sample No |
|-------------------------------------|---|-------------------|-----------|
| Room Temperature life test          | 25 °C ± 3 °C, DC90 mA   | 500 hrs           | 50        |
| High Temperature humidity life test | 60 °C ± 3 °C, 95 % ± 2 %RH, DC55 mA   | 500 hrs           | 50        |
| High Temperature life test          | 85 °C ± 3 °C, DC30 mA   | 500 hrs           | 50        |
| Low Temperature life test           | -30 °C ± 3 °C, DC90 mA  | 500 hrs           | 50        |
| High Temperature Storage            | Ta=100 °C ± 3 °C  | 500 hrs           | 22        |
| Low Temperature Storage             | Ta=-40 °C ± 3 °C  | 500 hrs           | 22        |
| High Temperature humidity Storage   | 60 °C ± 3 °C, 95 % ± 2 %RH  | 500 hrs           | 22        |
| Thermal Shock                       | -40 °C ~ 100 °C<br>0.5 hrs 0.5 hrs  | 100 cycles        | 50        |
| Temperature humidity Cycle          | 25 °C ~ 65 °C ~ -10 °C<br>24 hrs/1 cycle, 95 %RH  | 10 cycles         | 22        |
| Reflow (Pb-Free)                    | Peak 260 ± 5 °C for 10 sec  | 3 times           | 22        |
| ESD(HBM)                            |  <p>-R1:10 MΩ , R2:1.5 kΩ , C:100 pF</p> | 5 times           | 5         |
| On/Off test                         | 50 °C ± 3 °C, 95 % ± 2 %RH,<br>DC90 mA, On/2 sec, Off/2 sec   | 108000 cycles     | 50        |

## 2) Criteria for Judging the Damage

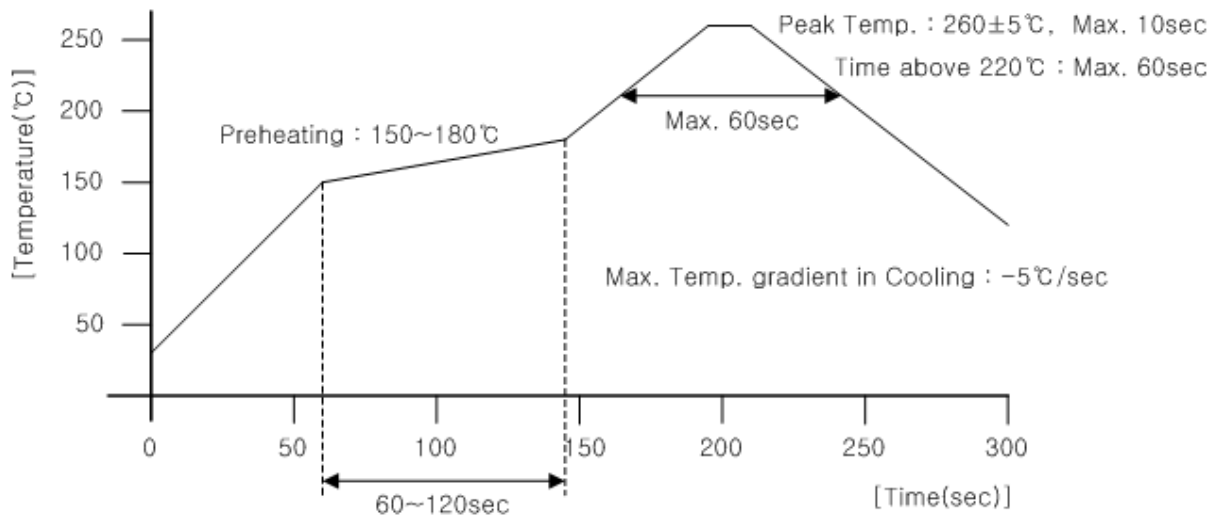
| Item               | Symbol | Test Condition        | Limit      |            |
|--------------------|--------|-----------------------|------------|------------|
|                    |        |                       | Min        | Max        |
| Forward Voltage    | $V_F$  | $I_F = 60 \text{ mA}$ | -          | U.S.L.*1.2 |
| Luminous Intensity | $I_v$  | $I_F = 60 \text{ mA}$ | L.S.L.*0.5 | -          |

\* USL : Upper Standard Level    LSL : Lower Standard Level

## 8. Solder Conditions

### 1) Reflow Conditions ( Pb Free )

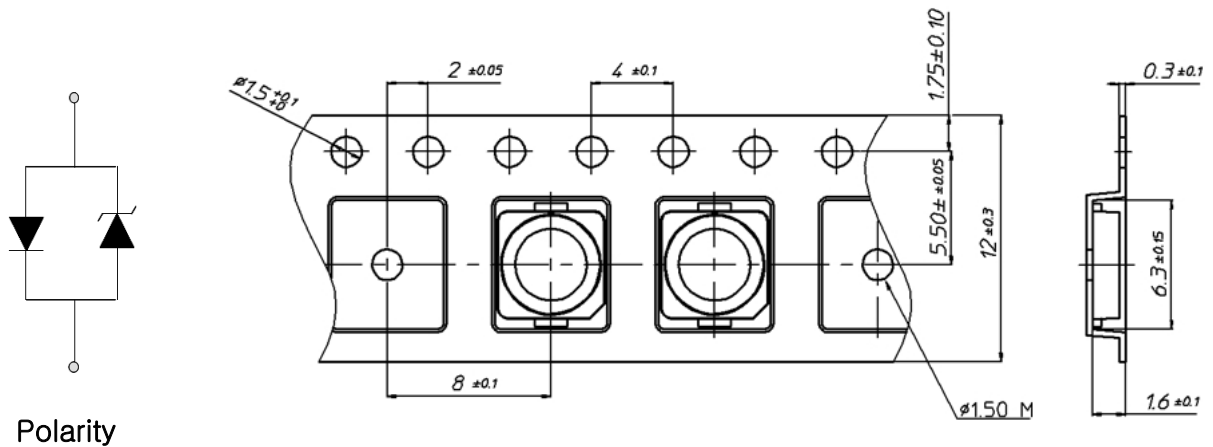
Reflow Frequency : 2 times max.



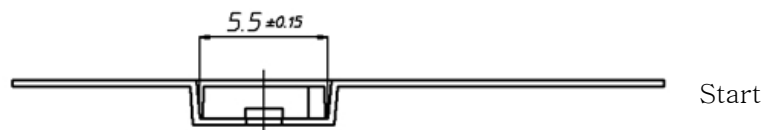
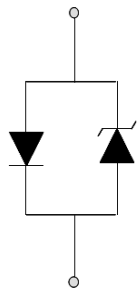
### 2) For Manual Soldering

Not more than 5 seconds @MAX300 °C, under soldering iron.

## 9. Taping Dimension



Polarity

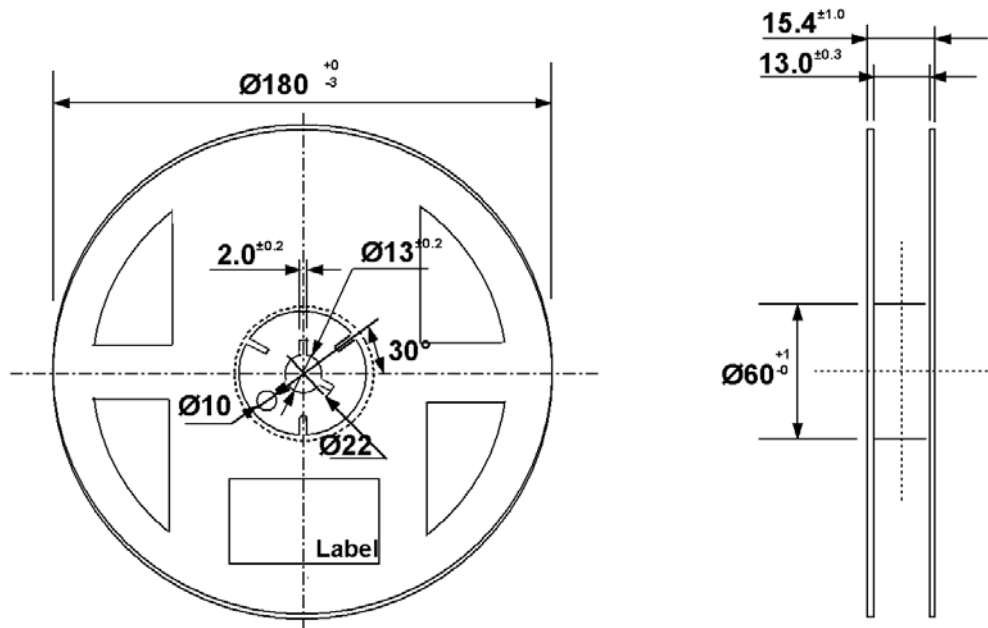


More than 40 mm  
Unloaded tape

Mounted with  
Flash LED

More than (100~200)mm  
Unloaded tape

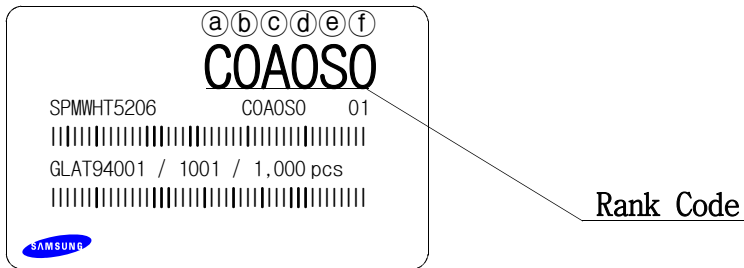
Leading part more than  
(200~400)mm



Tolerance  $\pm 0.2$  , Unit:mm

- (1) Quantity : The quantity/reel to be 1000 pcs.
- (2) Cumulative Tolerance : Cumulative tolerance/10 pitches to be  $\pm 0.2$  mm
- (3) Adhesion Strength of Cover Tape : Adhesion strength to be 0.1–0.7 N when the cover tape is turned off from the carrier tape at 10 °C angle to be the carrier tape.
- (4) Packaging : P/N, Manufacturing data code no. and quantity to be indicated on a damp proof package.

## 10. Label Structure



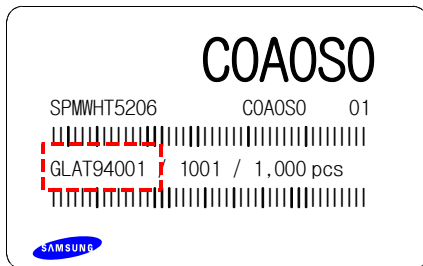
N.B) Denoted rank is the only example.

### Rank Code

- ⒶⒷ : Forward Voltage( $V_F$ ) Rank (refer to page. 3)
- ⒸⒹ : Chromaticity Coordinate Rank (refer to page. 5~7)
- ⒺⒻ : Luminous Intensity( $I_v$ ) Rank (refer to page. 4)

## 11. Lot Number

The Lot number is composed of the following characters

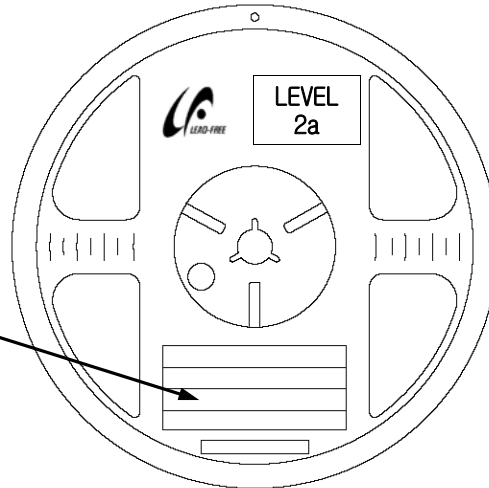
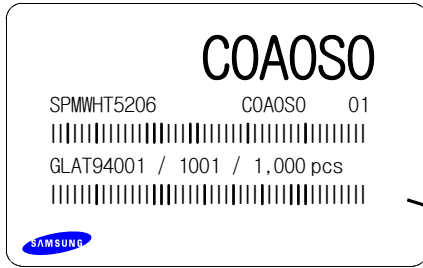


①②③④⑤⑥⑦⑧⑨ / 1ⒶⒷⒸ / 1,000 PCS

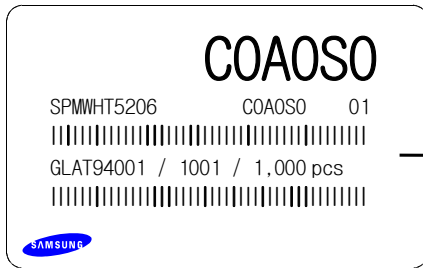
- ① : Production Site (S:SAMSUNG LED, G:GOSIN CHINA)
- ② : L (LED)
- ③ : Product State (A:Normality, B:Bulk, C:First Production, R:Reproduction, S:Sample)
- ④ : Year (T:2009, U:2010, V:2011...)
- ⑤ : Month (1 ~ 9, A, B)
- ⑥ : Day (1 ~ 9, A, B ~ V)
- ⑦⑧⑨ : SAMSUNG LED Product number (1 ~ 999)
- ⒶⒷⒸ : Reel Number (1 ~ 999)

## 12. Reel Packing Structure

### Reel



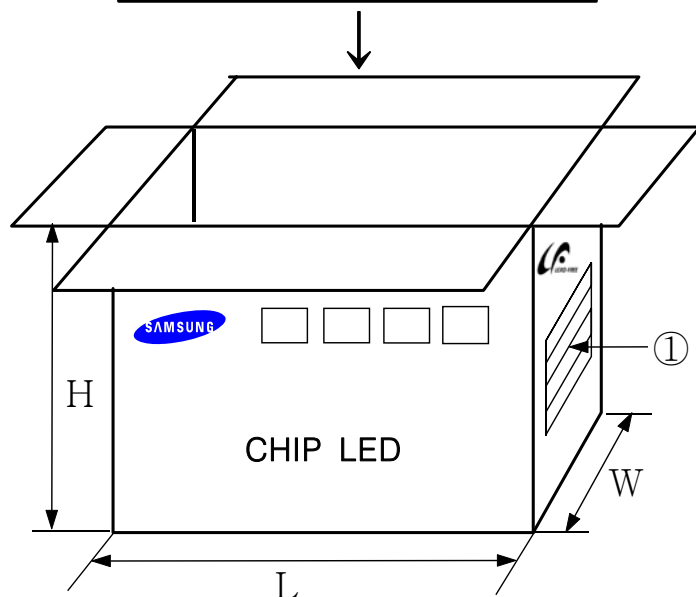
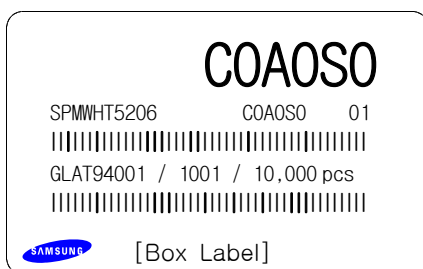
### Aluminum Vinyl Bag




Material : Paper(SW3B(B))

| TYPE  | SIZE(mm) |     |     |
|-------|----------|-----|-----|
|       | L        | W   | H   |
| 7inch | 245      | 220 | 182 |

### ① SIDE



# 13. Aluminum Vinyl Bag



**CAUTION**

This bag contains  
**MOISTURE SENSITIVE DEVICES**

**LEVEL**  
**2a**

1. Shelf life in sealed bag: 12 months at <math> < 40^{\circ}\text{C}</math> and <math> < 90\%</math> relative humidity (RH)
2. Peak package body temperature: 240 °C
3. After this bag is opened, devices that will be subjected to reflow solder or other high temperature processes must be:
  - a. Mounted within 672 hours at factory conditions of equal to or less than 30°C / 60% RH, or
  - b. Stored at <math> < 10\%</math> RH
4. Devices require bake, before mounting, if:
  - a. Humidity Indicator Card is > 65% when read at 23±5°C, or
  - b. 2a is not met.
5. If baking is required, devices must be baked for 1 hours at 60±5°C

Note: if device containers cannot be subjected to high temperature or shorter bake times are desired, reference IPC/JEDEC J-STD-033 for bake procedure,

Bag seal due date: \_\_\_\_\_  
(if blank, see code label)

Note: Level and body temperature by IPC/JEDEC J-STD-020

**COAOSO**

SPMWH5206      COAOSO      01

|||||

GLAT94001 / 1001 / 1,000 pcs

|||||

SAMSUNG



**주의 사항**

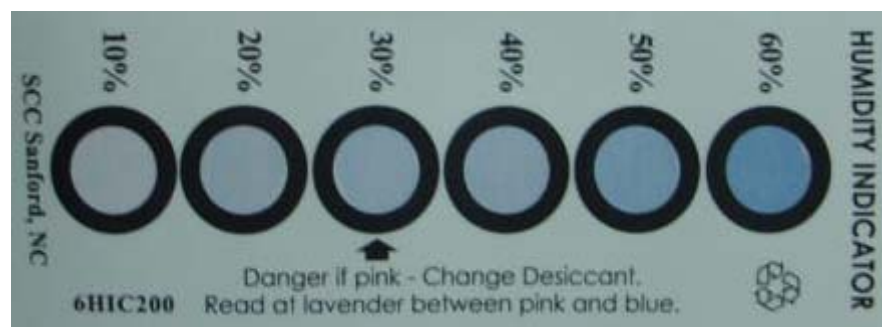
이 알루미늄 지퍼 백은 습기 및 정전기로부터 제품을 보호하기 위하여 제작되었습니다. 개봉 후에는 즉시 솔더 작업을 실시하는 것을 권장합니다.

습기 및 정전기로부터 제품을 보호 하기 위해서 개봉 후 사용하지 않는 자재는 본 팩에 넣어 보관 하시기 바랍니다. 사용하지 않는 자재를 본 팩에 넣을 때는 반드시 동봉된 드라이 팩과 함께 넣고 지퍼부분을 완전하게 밀봉하여 주시기 바랍니다.

**Important**

This Al Zipper bag is designed to protect the enclosed products from moisture and ESD. Once opened, the products should be soldered onto the printed circuit board immediately. When not in use, please do not leave the products unprotected by the Al Zipper Bag. To repack unused products., please ensure the zip-lock is completely sealed with the dry pack left inside.

## Silica gel & Humidity Indicator Card in Aluminum Vinyl Bag





## 14. Precaution for Use (취급상 주의사항)

- 1) For over-current-proof function, customers are recommended to apply resistors to prevent sudden change of the current caused by slight shift of the voltage.  
과전류 방지를 위해 전압의 미세한 이동에 의해 야기되는 전류의 순간 변화를 방지하기 위해 저항 등의 설치를 권장함.
- 2) This device should not be used in any type of fluid such as water, oil, organic solvent, etc. When washing is required, IPA is recommended to use.  
제품은 물, 오일, 유기물과 같은 액체 타입에서의 사용은 제한되며, 세정이 필요할 시에는 IPA 사용을 권장함.
- 3) When the LEDs illuminate, operating current should be decided after considering the ambient maximum temperature.  
LED의 발광 시, 동작 전류는 주변 최고온도를 고려하여 결정되어야 함.
- 4) LEDs must be stored in a clean environment.  
If the LEDs are to be stored for 3 months or more after being shipped from SLED, they should be packed by a sealed container with nitrogen gas injected.  
(Shelf life of sealed bags: 12 months, temp. 0~40 °C, 20~70 %RH)  
LED의 보관은 청정한 환경에서 보존되어야 하며, 만약 삼성LED로부터 공급받는 후 3개월 또는 그 이상 보관이 필요하다면 질소 가스를 동봉한 보존용기에 보관되어야 함.  
(보존 bag의 수명 : 12 개월, 보존 온도 0~40 °C, 습도 20~70 %RH)
- 5) After storage bag is open, device subjected to soldering, solder reflow, or other high temperature processes must be:  
보존 Bag이 개봉된 후에, 납땀이나 reflow등의 높은 온도에 노출되는 제품은 다음의 사항에 부합되어야 함.
  - a. Mounted within 168 hours (7 days) at an assembly line with a condition of no more than 30 °C/60 %RH,  
a. 제품은 30 °C/60 %RH보다 같거나 낮은 조립조건에서 168시간(7일)이내에 조립해야 함.
  - b. Stored at <10 %RH.  
b. 10 % 이하의 상대습도에서 보관되어야 함.
- 6) Repack unused Products with anti-moisture packing, fold to close any opening and then store in a dry place.  
사용하지 않은 제품은 방습팩에 넣어 개봉 부위를 닫아서 다시 포장한 후, 건조한 장소에서 보관할 것을 권장함.

7) Devices require baking before mounting, if humidity card reading is  $>60\%$  at  $23\pm 5\text{ }^\circ\text{C}$ .

만약 습도표시카드의 수치가  $23\pm 5\text{ }^\circ\text{C}$ 에서  $60\%$  이상이라면, 제품 실장 전에 baking하여야 함.

8) Devices must be baked for 24 hours at  $65\pm 5\text{ }^\circ\text{C}$ , if baking is required.

만약 baking이 필요하다면, 제품은  $65\pm 5\text{ }^\circ\text{C}$ 에서 24시간 정도 baking 되어야 함.

9) The LEDs are sensitive to the static electricity and surge. It is recommended to use a wrist band or anti-electrostatic glove when handling the LEDs.

LED는 정전기 및 서지에 민감한 제품이므로, LED 제품을 다룰 시에는 정전기 방지장갑이나 손목밴드를 사용하기를 권장함.

If voltage exceeding the absolute maximum rating is applied to LEDs, it may cause damage or even destruction to LED devices.

만약 절대 허용치를 초과하는 전압이 LED에 가해지면, LED 소자는 파괴되거나 손상될 수 있음.

Damaged LEDs may show some unusual characteristics such as increase in leak current, lowered turn-on voltage, or abnormal lighting of LEDs at low current.

손상된 제품은 누설전류의 증가, Turn on 전압의 저하, 저 전류에서의 점등불량 등의 이상 거동을 보일 수 있음.

# 15. Hazard Substance Analysis



**Test Report No.** F690501/LF-CTSAYAA08-24988

Issued Date: September 08, 2008 Page 1 of 4

To: **SAMSUNG ELECTRO-MECHANICS CO., LTD.**  
 314, Maetan3-dong  
 Yeongtong-gu  
 Suwon-city  
 KYUNGGI-DO 442-373  
 Korea

The following merchandise was submitted and identified by the client as :

**Product Name** : 5252 high CRI LED  
**SGS File No.** : AYAA08-24988  
**Received Date** : September 01, 2008  
**Test Performing Date** : September 02, 2008  
**Test Performed** : SGS Testing Korea tested the sample(s) selected by applicant with following results  
**Test Results** : For further details, please refer to following page(s)  
**Comments** : By the applicant's specific request, the sampling and testing was performed only for the part indicated in the photo without disassembly.

Pluto Kim  
 Monet Jeong  
 Billy Oh / Testing Person

SGS Testing Korea Co. Ltd.

Jeff Jang / Chemical Lab Mgr

This document is issued by the Company under its General Conditions of Service printed contract or available on request and accessible at <http://www.sgs.com/sgsweb>. Attention is drawn to the limitation of liability, indemnification and jurisdiction clauses defined therein. Any holder of this document is advised that information contained herein reflects the Company's findings at the time of its intervention only and within the limits of Client's instructions, if any. The Company's sole responsibility is to its Client and this document does not constitute parties to a transaction from occurring all their rights and obligations under the transaction documents. Any unauthorized alteration, forgery or falsification of the content or appearance of this document is unlawful and offenders may be prosecuted to the fullest extent of the law. Unless otherwise stated the results shown in this report refer only to the sample(s) tested. This document cannot be reproduced except in full, without prior approval of the Company.



**Test Report No.** F690501/LF-CTSAYAA08-24988

**Issued Date:** September 08, 2008 **Page** 2 of 4

**Sample No.** : AYAA08-24988.001  
**Sample Description** : 5252 high CRI LED  
**Item No./Part No.** : N/A

**Heavy Metals**

| Test Items                  | Unit  | Test Method                                | MDL | Results |
|-----------------------------|-------|--|-----|---------|
| Cadmium (Cd)                | mg/kg | US EPA 3052(1996), US EPA 6010B(1996), ICP | 0.5 | N.D.    |
| Lead (Pb)                   | mg/kg | US EPA 3052(1996), US EPA 6010B(1996), ICP | 5   | N.D.    |
| Mercury (Hg)                | mg/kg | US EPA 3052(1996), US EPA 6010B(1996), ICP | 2   | N.D.    |
| Hexavalent Chromium (Cr VI) | mg/kg | US EPA 3060A(1996), US EPA 7196A(1992), UV | 1   | N.D.    |

**Flame Retardants-PBBs/PBDEs**

| Test Items               | Unit  | Test Method         | MDL | Results |
|--------------------------|-------|---------------------|-----|---------|
| Monobromobiphenyl        | mg/kg | US EPA 3540C, GC/MS | 5   | N.D.    |
| Dibromobiphenyl          | mg/kg | US EPA 3540C, GC/MS | 5   | N.D.    |
| Tribromobiphenyl         | mg/kg | US EPA 3540C, GC/MS | 5   | N.D.    |
| Tetrabromobiphenyl       | mg/kg | US EPA 3540C, GC/MS | 5   | N.D.    |
| Pentabromobiphenyl       | mg/kg | US EPA 3540C, GC/MS | 5   | N.D.    |
| Hexabromobiphenyl        | mg/kg | US EPA 3540C, GC/MS | 5   | N.D.    |
| Heptabromobiphenyl       | mg/kg | US EPA 3540C, GC/MS | 5   | N.D.    |
| Octabromobiphenyl        | mg/kg | US EPA 3540C, GC/MS | 5   | N.D.    |
| Nonabromobiphenyl        | mg/kg | US EPA 3540C, GC/MS | 5   | N.D.    |
| Decabromobiphenyl        | mg/kg | US EPA 3540C, GC/MS | 5   | N.D.    |
| Monobromodiphenyl ether  | mg/kg | US EPA 3540C, GC/MS | 5   | N.D.    |
| Dibromodiphenyl ether    | mg/kg | US EPA 3540C, GC/MS | 5   | N.D.    |
| Tribromodiphenyl ether   | mg/kg | US EPA 3540C, GC/MS | 5   | N.D.    |
| Tetrabromodiphenyl ether | mg/kg | US EPA 3540C, GC/MS | 5   | N.D.    |
| Pentabromodiphenyl ether | mg/kg | US EPA 3540C, GC/MS | 5   | N.D.    |
| Hexabromodiphenyl ether  | mg/kg | US EPA 3540C, GC/MS | 5   | N.D.    |
| Heptabromodiphenyl ether | mg/kg | US EPA 3540C, GC/MS | 5   | N.D.    |
| Octabromodiphenyl ether  | mg/kg | US EPA 3540C, GC/MS | 5   | N.D.    |
| Nonabromodiphenyl ether  | mg/kg | US EPA 3540C, GC/MS | 5   | N.D.    |
| Decabromodiphenyl ether  | mg/kg | US EPA 3540C, GC/MS | 5   | N.D.    |

- NOTE: (1) N.D. = Not detected.(<MDL)  
 (2) mg/kg = ppm  
 (3) MDL = Method Detection Limit  
 (4) - = No regulation  
 (5) \*\* = Qualitative analysis (No Unit)  
 (6) Negative = Undetectable / Positive = Detectable

This document is issued by the Company under its General Conditions of Service printed overleaf or available on request and accessible at <http://www.sgs.com/sgsweb>. Attention is drawn to the limitation of liability, indemnification and jurisdiction issues defined therein. Any holder of this document is advised that information contained herein reflects the Company's findings at the time of its intervention only and within the limits of Client's instructions, if any. The Company's sole responsibility is to its Client and this document does not constitute advice to a third party from exercising all their rights and obligations under the transaction documents. Any unauthorized alteration, forgery or falsification of the content or appearance of this document is unlawful and offenders may be prosecuted to the fullest extent of the law. Unless otherwise stated the results shown in this test report refer only to the sample(s) tested. This document cannot be reproduced except in full, without prior approval of the Company.

F052 Version2

SGS Testing Korea Co., Ltd.

322, The C valley, 555-8, Hageo-dong, Dongan-gu, Anyang-si, Gyeonggi-do, Korea 431-080  
 T +82 (0)31 4806 000 F +82 (0)31 4808 059 <http://www.sgs.kor.kr> [www.kr.sgs.com/greenlab](http://www.kr.sgs.com/greenlab)

Member of the SGS Group (Société Générale de Surveillance)



**Test Report No.** F690501/LF-CTSAYAA08-24988

Issued Date: September 08, 2008 Page 3 of 4

Sample No. : AYAA08-24988.001  
 Sample Description : 5252 high CRI LED  
 Item No./Part No. : N/A

**Halogen Contents**

| Test Items   | Unit  | Test Method        | MDL | Results |
|--------------|-------|--------------------|-----|---------|
| Bromine(Br)  | mg/kg | EN 14582:2007 , IC | 30  | N.D.    |
| Chlorine(Cl) | mg/kg | EN 14582:2007 , IC | 30  | N.D.    |
| Fluorine(F)  | mg/kg | EN 14582:2007 , IC | 30  | N.D.    |
| Iodine(I)    | mg/kg | EN 14582:2007 , IC | 30  | N.D.    |

**Other(s)**

| Test Items   | Unit  | Test Method         | MDL | Results |
|--|-------|---------------------|-----|---------|
| PFOS(Perfluorooctane Sulfonates-Acid/Metal Salt/Amide) | mg/kg | US EPA 3540C, LC/MS | 1   | N.D.    |

- NOTE:
- (1) N.D. = Not detected.(<MDL)
  - (2) mg/kg = ppm
  - (3) MDL = Method Detection Limit
  - (4) - = No regulation
  - (5) \*\* = Qualitative analysis (No Unit)
  - (6) Negative = Undetectable / Positive = Detectable

This document is issued by the Company under its General Conditions of Service printed hereafter or available at <http://www.sgs.com>. Attention is drawn to the limitation of liability, indemnification and jurisdiction issues defined therein. Any holder of this document is advised that information contained herein reflects the Company's findings at the time of its intervention only and within the limits of Client's instructions, if any. The Company's sole responsibility is to its Client and this document does not constitute parties to a transaction from exercising all their rights and obligations under the transaction documents. Any unauthorized alteration, forgery or falsification of the content or appearance of this document is unlawful and offences may be prosecuted to the fullest extent of the law. Unless otherwise stated the results shown in this test report refer only to the sample(s) tested. This document cannot be reproduced except in full, without prior approval of the Company.

F052 Version2

SGS Testing Korea Co., Ltd.

322, The Ovalley, 555-B, Hogeje-dong, Dongan-gu, Anyang-si, Gyeonggi-do, Korea 431-092  
 t +82 (0)31 4806 000 f +82 (0)31 4835 059 <http://www.sgs/ab.co.kr> [www.kr.sgs.com/greenlab](http://www.kr.sgs.com/greenlab)

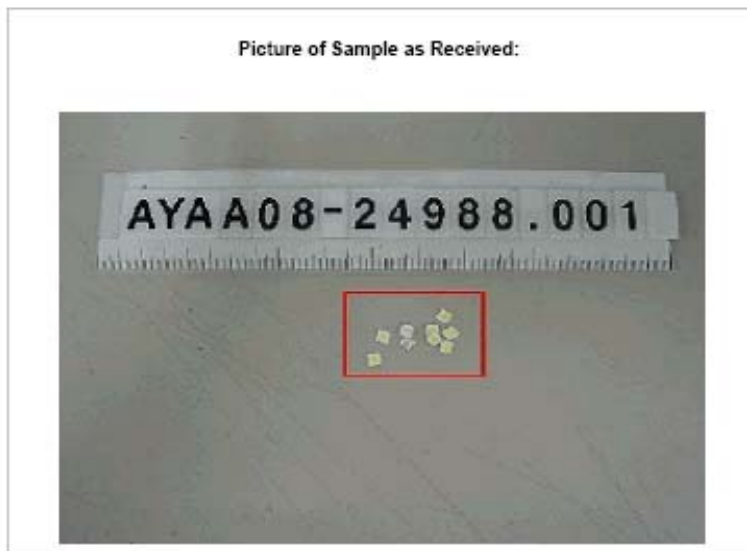
Member of the SGS Group (Société Générale de Surveillance)



**Test Report** No. F690501/LF-CTSAYAA08-24988

Issued Date: September 08, 2008 Page 4 of 4

Picture of Sample as Received:



\*\*\* End \*\*\*

- NOTE:
- (1) N.D. = Not detected,(<MDL)
  - (2) mg/kg = ppm
  - (3) MDL = Method Detection Limit
  - (4) - = No regulation
  - (5) \*\* = Qualitative analysis (No Unit)
  - (6) Negative = Undetectable / Positive = Detectable

This document is issued by the Company under its General Conditions of Service printed, revised or available on request and accessible at [http://www.sgs.com/html\\_en/conditions\\_of\\_service.html](http://www.sgs.com/html_en/conditions_of_service.html). Attention is drawn to the limitation of liability, indemnification and jurisdiction issues defined therein. Any holder of this document is advised that information contained herein reflects the Company's findings at the time of its intervention only and under the limits of client's instructions, if any. The Company's sole responsibility is to its client and this document does not exonerate parties to a transaction from exercising all their rights and obligations under the transaction documents. Any unauthorized alteration, forgery or falsification of the content or appearance of this document is unlawful and offences may be prosecuted to the fullest extent of the law. Unless otherwise stated the results shown in this report refer only to the sample(s) tested. This document cannot be reproduced except in full, without prior approval of the Company.

F052 Version2

SGS Testing Korea Co., Ltd.

322, The O valley, 555-8, Hoggae-dong, Dongen-gu, Anyang-si, Gyeonggi-do, Korea 431-082  
t +62 (0)31 4808 000 f +62 (0)31 4808 059 http://www.sgs/led.co.kr www.kr.sgs.com/samsungled

Member of the SGS Group (Société Générale de Surveillance)

|  |
|--|
| <h3>Revision History<br/>(Model:SPMWHT5206)</h3> |
|--|

| Date       | Revision History | Writer   |          |
|------------|------------------|----------|----------|
|            |                  | Drawn    | Approved |
| 2009.07.01 | New Version      | S.B. Yun | Y.C. Kim |
|            |                  |          |          |
|            |                  |          |          |
|            |                  |          |          |
|            |                  |          |          |
|            |                  |          |          |
|            |                  |          |          |
|            |                  |          |          |
|            |                  |          |          |
|            |                  |          |          |
|            |                  |          |          |
|            |                  |          |          |
|            |                  |          |          |
|            |                  |          |          |
|            |                  |          |          |
|            |                  |          |          |
|            |                  |          |          |
|            |                  |          |          |
|            |                  |          |          |
|            |                  |          |          |
|            |                  |          |          |
|            |                  |          |          |
|            |                  |          |          |
|            |                  |          |          |
|            |                  |          |          |
|            |                  |          |          |
|            |                  |          |          |
|            |                  |          |          |