

PLEASE CHECK WWW.MOLEX.COM FOR LATEST PART INFORMATION

Part Number: **0740581001**

Status: **Active**

Overview:

Description: 2.00mm (.079") Pitch VHDM® Board-to-Board Backplane Header, Vertical, 6-Row, Pin End Version, 60 Circuits, Pin Length 4.75mm (.187")

Documents:

[3D Model](#)

[Drawing \(PDF\)](#)

[Packaging Specification \(PDF\)](#)

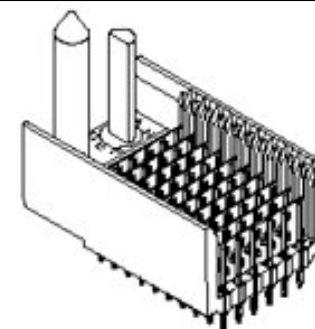
[RoHS Certificate of Compliance \(PDF\)](#)

General

Product Family	Backplane Connectors
Series	74058
Application	Backplane
Application Tooling Documents	Tooling Manual
Comments	No Keying Position
Component Type	PCB Header
Overview	VHDM*
Product Name	VHDM®
Style	N/A

Physical

Circuits (Loaded)	60
Circuits (maximum)	60
Color - Resin	Black
Durability (mating cycles max)	200
First Mate / Last Break	No
Flammability	94V-0
Guide to Mating Part	Yes
Keying to Mating Part	None
Material - Metal	Beryllium Copper
Material - Metal	High Performance Alloy (HPA)
Material - Metal	Stainless Steel
Material - Plating Mating	Gold
Material - Plating Termination	Tin-Lead
Material - Resin	High Temperature Thermoplastic
Number of Columns	N/A
Number of Pairs	Open Pin Field
Number of Rows	6
Orientation	Vertical
PC Tail Length (in)	0.098 In
PC Tail Length (mm)	2.50 mm
PCB Locator	No
PCB Retention	None
PCB Thickness Recommended (in)	0.071 In
PCB Thickness Recommended (mm)	1.80 mm
Packaging Type	Tube
Pitch - Mating Interface (in)	0.079 In
Pitch - Mating Interface (mm)	2.00 mm
Pitch - Term. Interface (in)	0.039 In
Pitch - Term. Interface (mm)	1.00 mm
Plating min: Mating (µin)	30
Plating min: Mating (µm)	0.75
Plating min: Termination (µin)	30
Plating min: Termination (µm)	0.75
Polarized to PCB	Yes



Series image - Reference only

EU RoHS

RoHS Compliant by Exemption

REACH SVHC

Not Reviewed

Halogen-Free

Status

Not Reviewed

China RoHS



Pb

Need more information on product environmental compliance?

Email productcompliance@molex.com
Please visit the [Contact Us](#) section for any non-product compliance questions.

Search Parts in this Series

74058 Series

Mates With

74030 VHDM® Board-to-Board Daughtercard Receptacle

Application Tooling | FAQ

Tooling specifications and manuals are found by selecting the products below. Crimp Height Specifications are then contained in the Application Tooling Specification document.

Global

Description	Product #
VHDM® Insertion Module for Advanced Mate Signal Header, 6 Row by 11 Wide, 20.00mm (.787") Flat Rock Tooling for Pneumatic Press	0622011101
VHDM® Insertion Module for Advanced Mate Signal Header, 6 Row by 10 Wide, 20.00mm (.787")	0622020203

Stackable	No
Surface Mount Compatible (SMC)	Yes
Temperature Range - Operating	105°C
Termination Interface: Style	Through Hole - Compliant Pin

VHDM® Insertion <u>0622020207</u> Module for Advanced Mate Signal Header, 6 Row by 10 Wide, 20.00mm (.787")

Electrical

Current - Maximum	1A
Data Rate	2.5 Gbps
Real Signals (per 25mm)	75
Shield Type	Ground Plane Shield
Shielded	Yes
UL	E29179
Voltage - Maximum	120V AC (RMS)/DC

Material Info**Reference - Drawing Numbers**

Sales Drawing	SD-74058-002
---------------	--------------

VHDM and Very High Density Metric are trademarks of Amphenol Corporation

This document was generated on 11/20/2009

PLEASE CHECK WWW.MOLEX.COM FOR LATEST PART INFORMATION