

PLEASE CHECK WWW.MOLEX.COM FOR LATEST PART INFORMATION

Part Number: **0872210019**
Status: **Active**
Description: 1.27mm (.050") Wide SCSI Pitch, 2.00mm (.079") Connector Pitch, 5.08mm (.200") Power Pitch, 3-in-1 Combo Connector, Vertical, Straddle Mount, Lead-free, 0.8mm (.031") PCB Thickness

Documents:

[3D Model](#)
[Drawing \(PDF\)](#)

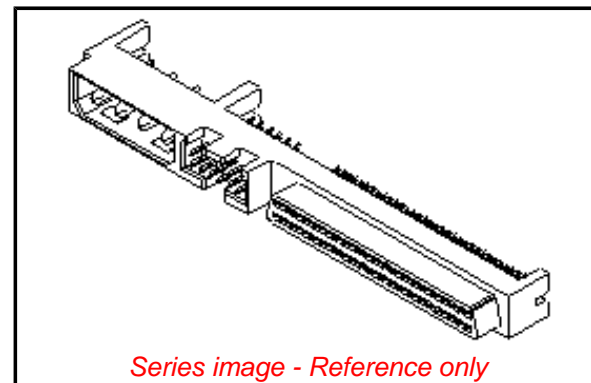
[RoHS Certificate of Compliance \(PDF\)](#)

General

Product Family	I/O Connectors
Series	87221
Application	Wire-to-Board
Component Type	Plug
Product Name	3-in-1 Combo
Product Name	SCSI+
Type	N/A

Physical

Boot Color	N/A
Circuits (Loaded)	84
Circuits (maximum)	84
Color - Resin	Black
Durability (mating cycles max)	25
Gender	Female
Lock to Mating Part	None
Material - Metal	Phosphor Bronze
Material - Plating Mating	Gold
Material - Plating Mating	Tin
Material - Plating Termination	Tin
Material - Resin	High Temperature Thermoplastic
Number of Rows	2
Orientation	Vertical
PCB Locator	No
PCB Retention	None
PCB Thickness Recommended (in)	0.031 In
PCB Thickness Recommended (mm)	0.81 mm
Packaging Type	Tube
Panel Mount	Yes
Pitch - Mating Interface (in)	0.050 In
Pitch - Mating Interface (in)	0.079 In
Pitch - Mating Interface (in)	0.200 In
Pitch - Mating Interface (mm)	1.27 mm
Pitch - Mating Interface (mm)	2.00 mm
Pitch - Mating Interface (mm)	5.08 mm
Pitch - Term. Interface (in)	0.050 In
Pitch - Term. Interface (in)	0.079 In
Pitch - Term. Interface (in)	0.200 In
Pitch - Term. Interface (mm)	1.27 mm
Pitch - Term. Interface (mm)	2.00 mm
Pitch - Term. Interface (mm)	5.08 mm
Plating min: Mating (µin)	101.6
Plating min: Mating (µin)	30.4
Plating min: Mating (µm)	0.76
Plating min: Mating (µm)	2.54
Plating min: Termination (µin)	101.6



EU RoHS

**ELV and RoHS
Compliant**

**REACH SVHC
Contains SVHC: No
Halogen-Free
Status**

Halogen-Free

China RoHS



**Need more information on product
environmental compliance?**

Email productcompliance@molex.com
Please visit the [Contact Us](#) section for any
non-product compliance questions.

Search Parts in this Series

[87221 Series](#)

Mates With

2mm receptacle, [8981](#) Disk Drive Power
Connection System, [70498-4068](#) SCSI+
Plug

Plating min: Termination (µm)	2.54
Polarized to Mating Part	Yes
Polarized to PCB	Yes
Ports	3
Surface Mount Compatible (SMC)	Yes
Temperature Range - Operating	0°C to +85°C
Termination Interface: Style	Straddle Mount
Waterproof / Dustproof	No
Wire Size AWG	N/A

Electrical

Current - Maximum	1A
Shielded	No
Voltage - Maximum	12V DC

Solder Process Data

Duration at Max. Process Temperature (seconds)	3
Lead-free Process Capability	Reflow Capable (SMT only)
Max. Cycles at Max. Process Temperature	1
Process Temperature max. C	260

Material Info**Reference - Drawing Numbers**

Sales Drawing	SD-87221-029
---------------	--------------

This document was generated on 11/05/2009

PLEASE CHECK WWW.MOLEX.COM FOR LATEST PART INFORMATION