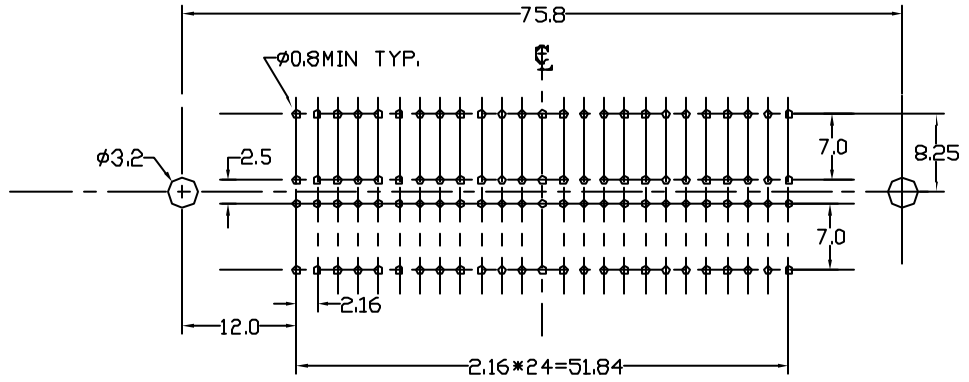
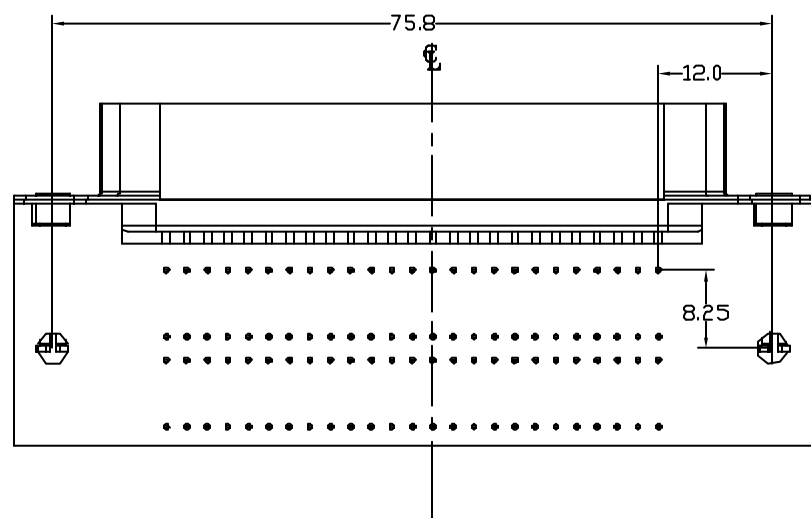
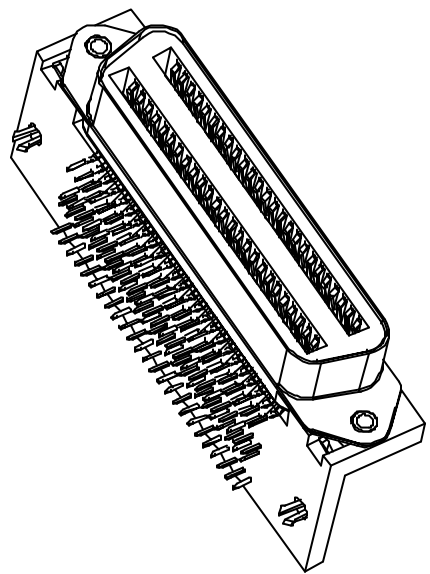
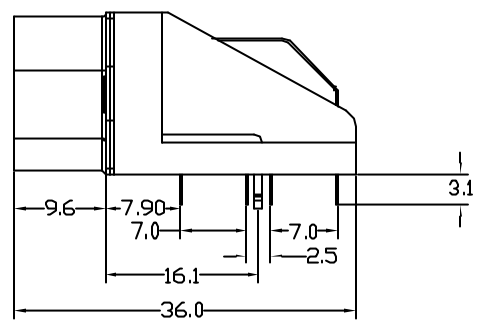
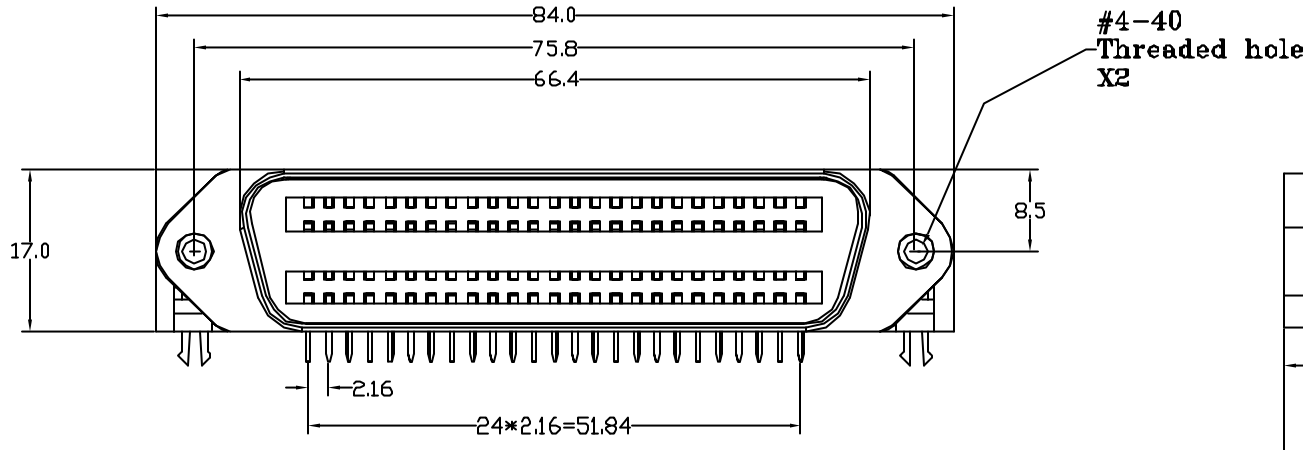


This document is the property of Amphenol Corporation and is delivered on the express condition that it is not to be disclosed, reproduced or used in whole or in part, for manufacture or sale by anyone other than Amphenol Corporation without its prior consent. A right is granted to disclose or to use any information in this document.

REVISIONS				
SYM	ECN	DESCRIPTION	DATE	APPROVED
A4	HK #	RELEASE TO PRODUCTION	10/12/05	IP



P/N SYSTEM
957-FXXX-X-X-X-X

Series Number
F-Female
100-100 ways
contact plating
6-30u" gold mating area,pure matte tin
7-15u" gold mating area,pure matte tin
8-gold flash mating area,pure matte tin
Tail length
3-3.1~3.4mm
Housing color/Tial orientation
0-Blue,standard type
B-Black,standard type
R-Blue,reversed type
C-Black reversed type
Mount type
0-#4-40 screw+B/L
1-#4-40 screw+M3.5
2-spring latch +B/L
3-spring latch+M3.5

P.C.B. MOUNTING DIMENSIONS

CUSTOMER DRAWING

NOTE:

Material
Contact.....Copper Alloy
Insert Block.....Polyester resin(UL94V-0)
Locator.....Polyester resin(UL94V-0)
Shell.....Steel/Nickel Plating
Specification
Voltage Rating.....500V AC (RMS)
Current Rating.....3A/contact
Dielectric Withstanding Voltage.....1200V AC (RMS)
Insulation resistance.....1000M MIN. at 500V DC
Contact Resistance.....35m ohm MAX. at 1A DC
Operation Temperature Range.....-55°C ~ +105°C

ITEM NO	PART OR IDENTIFICATION NO	NOMENCLATURE OR DESCRIPTION	QTY REQ'D
PARTS LIST			
UNLESS OTHERWISE SPECIFIED TOLERANCES		APPROVAL	DATE
U.S. METRIC		DRAWN XS.GUD	10/13/05
.X +/- 0.50		CHECKED	
.XX +/- 0.30		CHECKED	
.XXX +/- 0.15			
FRACTIONS +/-			
ANGLES +/- 1°			
FOR MATERIALS AND FINISHES SEE NOTES		DRAWING FILE : \DRAWING\957\C957F10073B0.DWG	
REMOVE SHARP EDGES		ANGLE OF PROJECTION	
DIMENSIONS			
U.S. INCHES			
(METRIC) (MM)		TITLE 57LE RIGHT ANGLE 100 WAYS RECEPTACLE SIZE DRAWING NO. A3C957-F100-73B0 SCALE NONE SHEET 1 OF 1	
			REV. A4