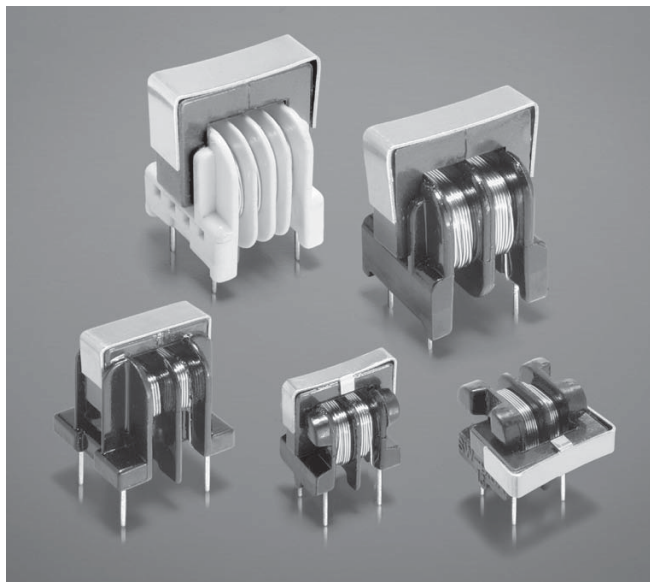


**NEW!**

# Common Mode Chokes - BU Series



These low cost, high efficiency choke coils are designed to virtually eliminate line conducted common mode noise.

The BU9S and BU9HS families are ideal for signal line applications; the others can be used in switching power supplies and power supply circuits. All provide significant attenuation of common mode noise across a broad range of frequencies.

For height-restricted applications, the BU9 and BU9S filters are available in a horizontal configuration, which reduces their height to under half an inch (12.5 mm).

For free evaluation samples, contact Coilcraft or request them on-line at [www.coilcraft.com](http://www.coilcraft.com).

*Coilcraft*

Specifications subject to change without notice. Document 260-1 Revised 4/19/02

1102 Silver Lake Road Cary, Illinois 60013 Phone 847/639-6400 Fax 847/639-1469  
E-mail [info@coilcraft.com](mailto:info@coilcraft.com) Web <http://www.coilcraft.com>

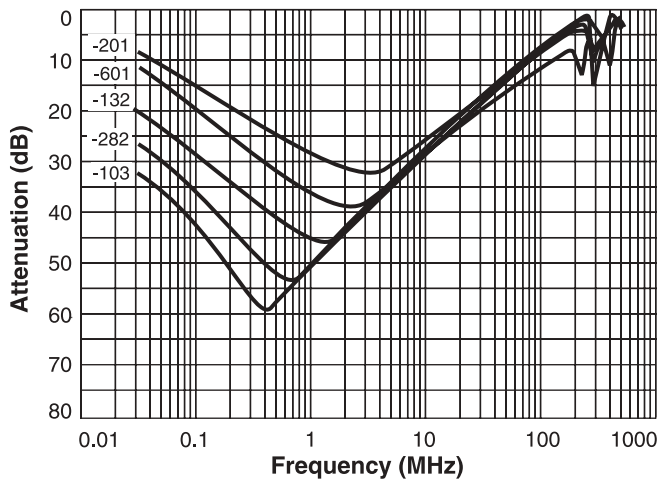
**NEW!**

# Common Mode Chokes - BU9, BU9H Series

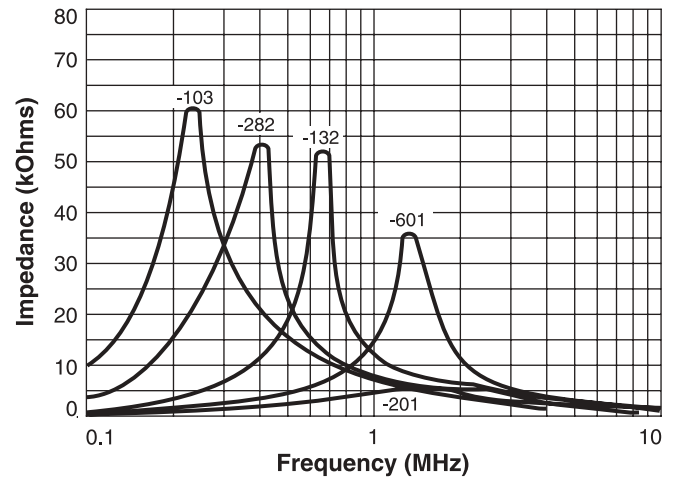
Part number	Impedance max (kOhms)	Frequency range @ 75% of impedance max	DCR (Ohms)	Current max (Aac)	Inductance <sup>1</sup> L1, L2 min (mH)	Inductance difference L1 - L2 max (µH)
BU9-103R25B	60 @ 220 kHz	200 – 240 kHz	3.5	0.25	10.0	200
BU9-2820R5B	53 @ 410 kHz	310 – 430 kHz	1.0	0.50	2.8	50
BU9-1320R7B	52 @ 660 kHz	600 – 700 kHz	0.5	0.70	1.3	50
BU9-6011R0B	36 @ 1300 kHz	1200 – 1400 kHz	0.2	1.00	0.6	25
BU9-2011R6B	5.4 @ 1500 kHz	900 – 2100 kHz	0.1	1.60	0.2	25
BU9H-103R25B	60 @ 220 kHz	200 – 240 kHz	3.5	0.25	10.0	200
BU9H-2820R5B	53 @ 410 kHz	310 – 430 kHz	1.0	0.50	2.8	50
BU9H-1320R7B	52 @ 660 kHz	600 – 700 kHz	0.5	0.70	1.3	50
BU9H-6011R0B	36 @ 1300 kHz	1200 – 1400 kHz	0.2	1.00	0.6	25
BU9H-2011R6B	5.4 @ 1500 kHz	900 – 2100 kHz	0.1	1.60	0.2	25

1. Inductance tested @ 1 kHz, 1 Vrms, and measured on Agilent/HP4284A LCR-meter or equivalent.
2. Operating temperature range -25°C to +80°C.
3. Electrical specifications at 25°C.

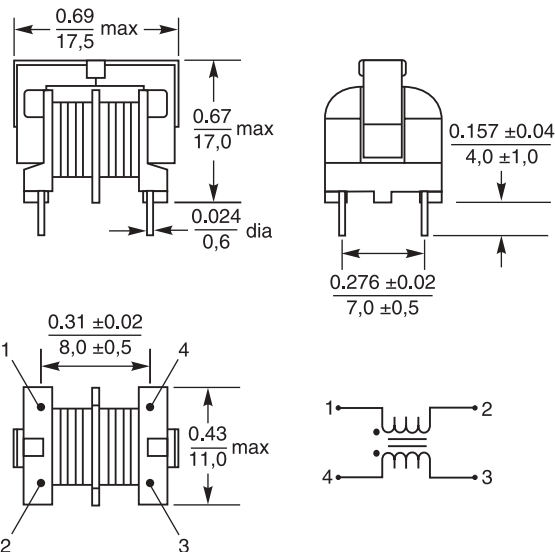
## Typical Response



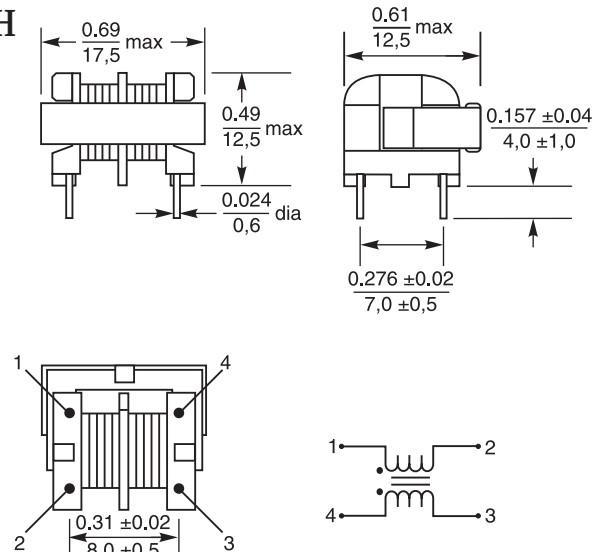
## Typical Impedance



### BU9



### BU9H



*Coilcraft*

Specifications subject to change without notice. Document 260-2 Revised 9/16/02

1102 Silver Lake Road Cary, Illinois 60013 Phone 847/639-6400 Fax 847/639-1469  
E-mail info@coilcraft.com Web http://www.coilcraft.com

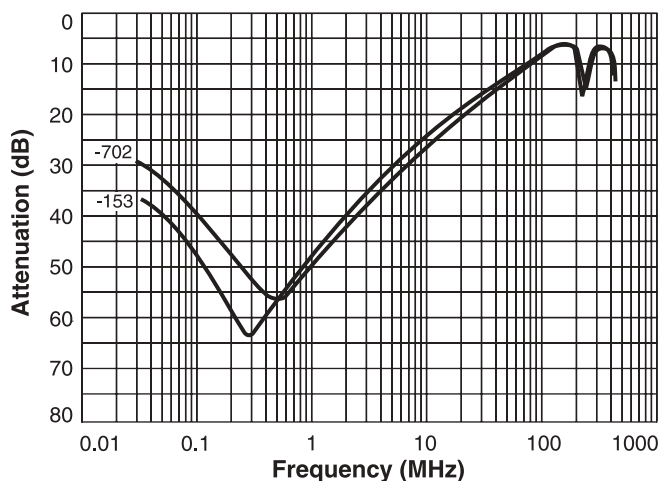
**NEW!**

# Common Mode Chokes - BU9S, BU9HS Series

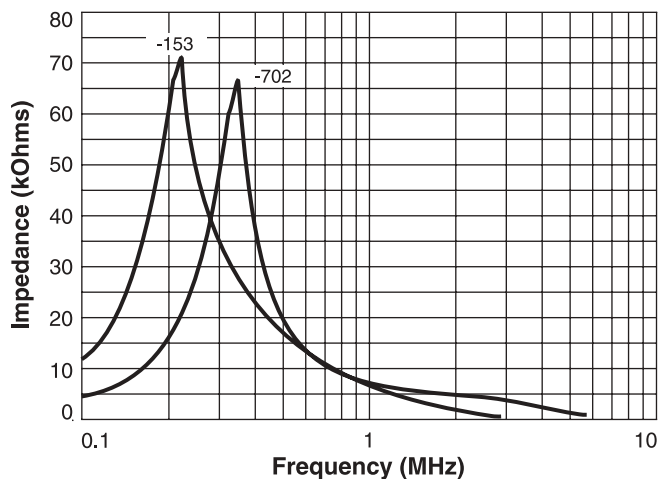
Part number	Impedance max (kOhms)	Frequency range @ 75% of impedance max	DCR (Ohms)	Current max (Aac)	Inductance <sup>1</sup> L1, L2 min (mH)	Inductance difference L1 - L2 max (µH)
BU9S-153R15B	71 @ 210 kHz	190 – 230 kHz	5.0	0.15	15.0	300
BU9S-7020R3B	66 @ 330 kHz	300 – 360 kHz	2.5	0.30	7.0	200
BU9HS-153R15B	71 @ 210 kHz	190 – 230 kHz	5.0	0.15	15.0	300
BU9HS-7020R3B	66 @ 330 kHz	300 – 360 kHz	2.5	0.30	7.0	200

1. Inductance tested @ 1 kHz, 1 Vrms, and measured on Agilent/HP4284A LCR-meter or equivalent.
2. Operating temperature range -25°C to +80°C.
3. Electrical specifications at 25°C.

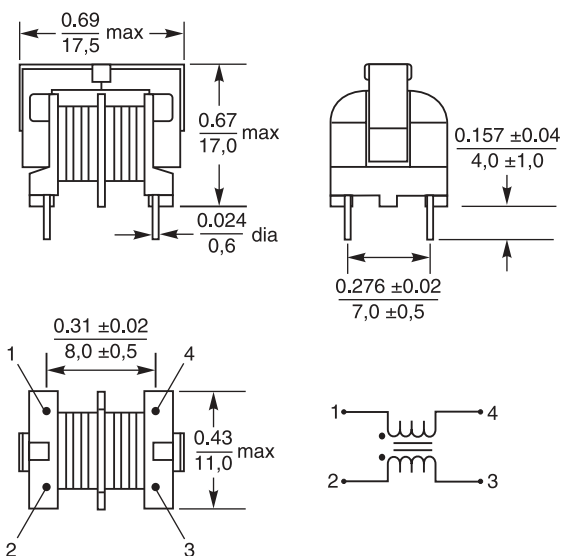
## Typical Response



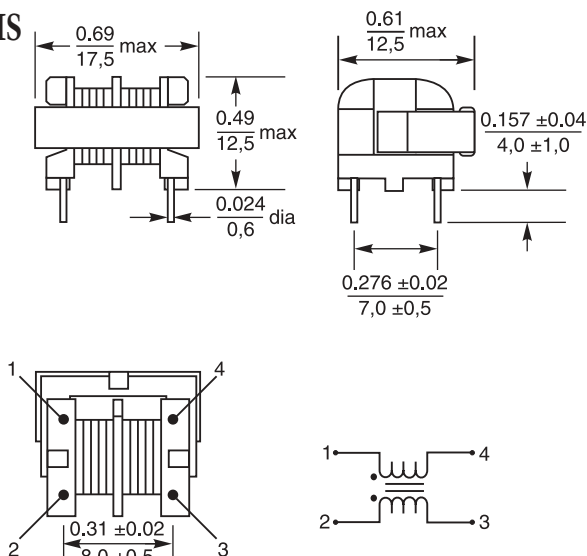
## Typical Impedance



### BU9S



### BU9HS



**Coilcraft**

Specifications subject to change without notice. Document 260-3 Revised 9/16/02

1102 Silver Lake Road Cary, Illinois 60013 Phone 847/639-6400 Fax 847/639-1469  
E-mail info@coilcraft.com Web http://www.coilcraft.com

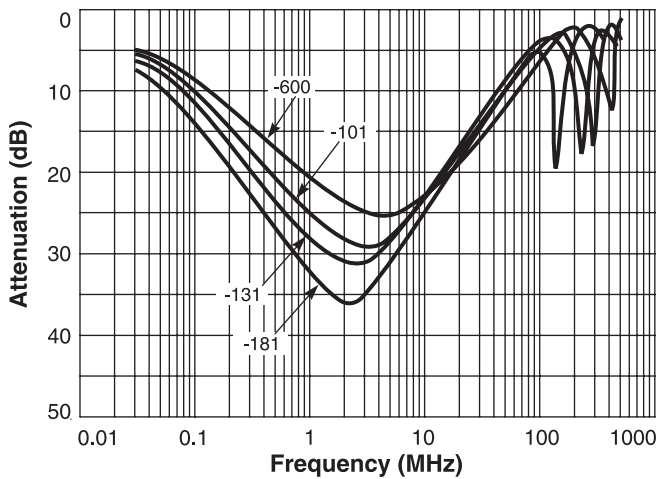
**NEW!**

# Common Mode Chokes - BU10 Series

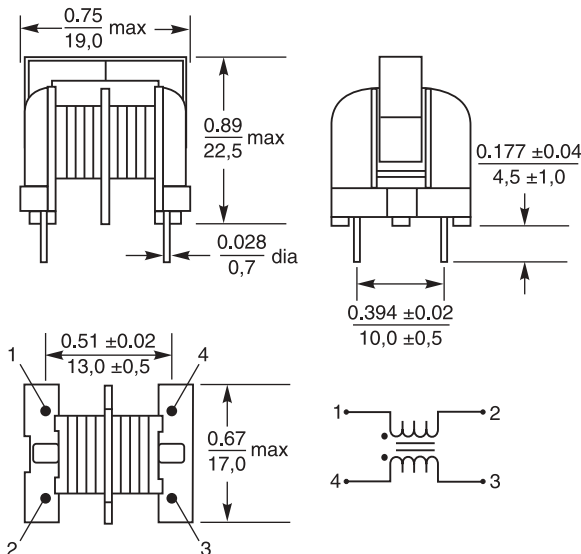
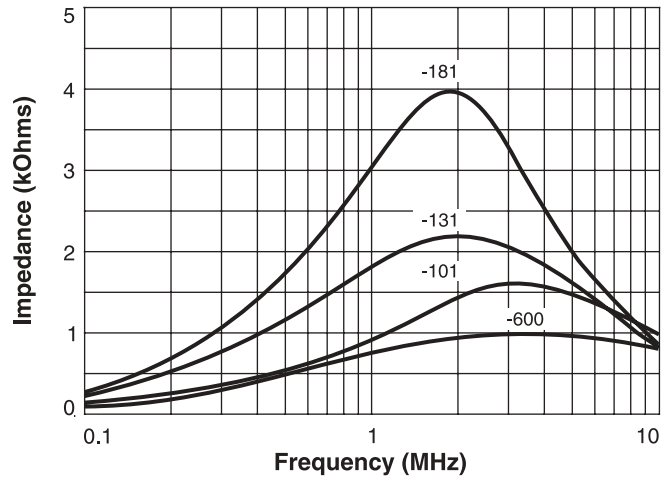
Part number	Impedance max (kOhms)	Frequency range @ 75% of impedance max	DCR (Ohms)	Current max (Aac)	Inductance <sup>1</sup> L1, L2 min (mH)	Inductance difference L1 - L2 max (µH)
BU10-1811R2B	3.9 @ 1.8 MHz	1000 – 3200 kHz	0.20	1.20	0.18	30
BU10-1311R6B	2.2 @ 2.2 MHz	800 – 2000 kHz	0.12	1.60	0.13	20
BU10-1012R2B	1.6 @ 3.1 MHz	1300 – 8900 kHz	0.08	2.20	0.10	15
BU10-6003R0B	1.0 @ 3.0 MHz	800 – 10000 kHz	0.04	3.00	0.06	10

1. Inductance tested @ 1 kHz, 1 Vrms, and measured on Agilent/HP4284A LCR-meter or equivalent.
2. Operating temperature range -25°C to +80°C.
3. Electrical specifications at 25°C.

## Typical Response



## Typical Impedance



**Coilcraft**

Specifications subject to change without notice. Document 260-4 Revised 9/16/02

1102 Silver Lake Road Cary, Illinois 60013 Phone 847/639-6400 Fax 847/639-1469  
E-mail info@coilcraft.com Web http://www.coilcraft.com

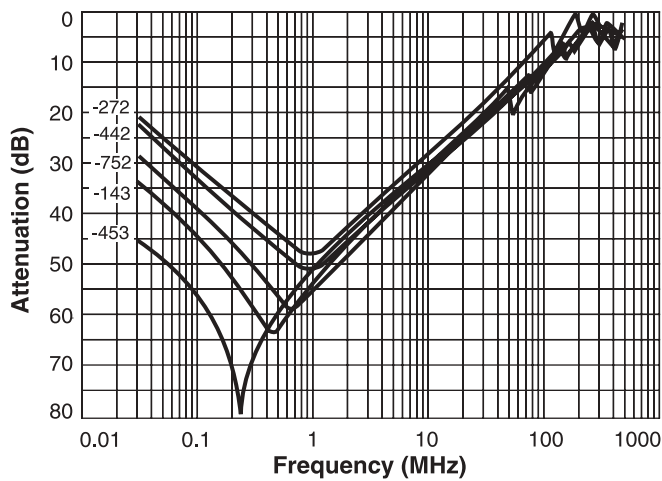
**NEW!**

# Common Mode Chokes - BU15 Series

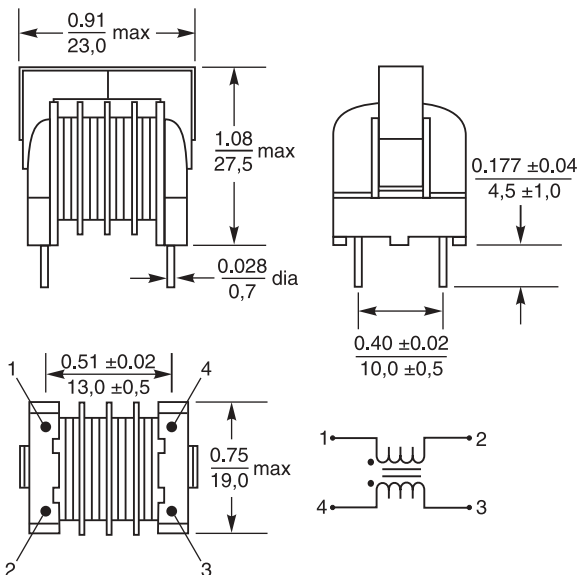
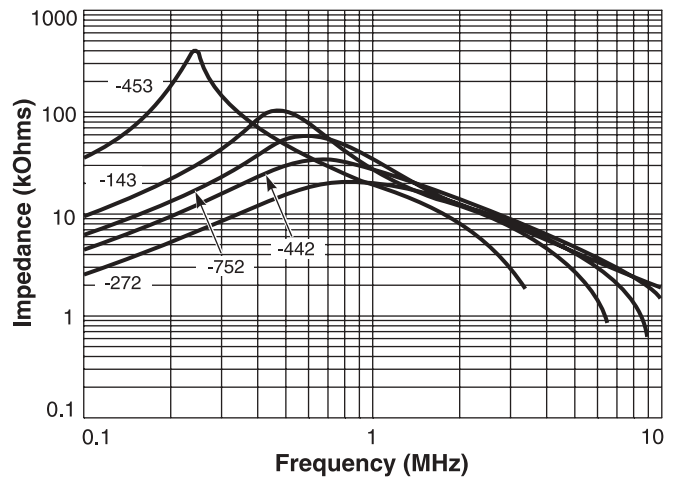
Part number	Impedance max (kOhms)	Frequency range @ 75% of impedance max	DCR (Ohms)	Current max (Aac)	Inductance <sup>1</sup> L1, L2 min (mH)	Inductance difference L1 - L2 max (µH)
BU15-4530R4B	400 @ 230 kHz	140 – 160 kHz	3.0	0.40	45.0	300
BU15-1430R7B	115 @ 470 kHz	400 – 650 kHz	1.0	0.70	14.0	300
BU15-7521R0B	60 @ 600 kHz	420 – 720 kHz	0.6	1.00	7.5	150
BU15-4421R3B	36 @ 670 kHz	430 – 1000 kHz	0.3	1.30	4.4	100
BU15-2721R6B	20 @ 1000 kHz	510 – 1400 kHz	0.2	1.60	2.7	60

1. Inductance tested @ 1 kHz, 1 Vrms, and measured on Agilent/HP4284A LCR-meter or equivalent.
2. Operating temperature range -25°C to +80°C.
3. Electrical specifications at 25°C.

## Typical Response



## Typical Impedance



**Coilcraft**

Specifications subject to change without notice. Document 260-5 Revised 9/16/02

1102 Silver Lake Road Cary, Illinois 60013 Phone 847/639-6400 Fax 847/639-1469  
E-mail info@coilcraft.com Web http://www.coilcraft.com

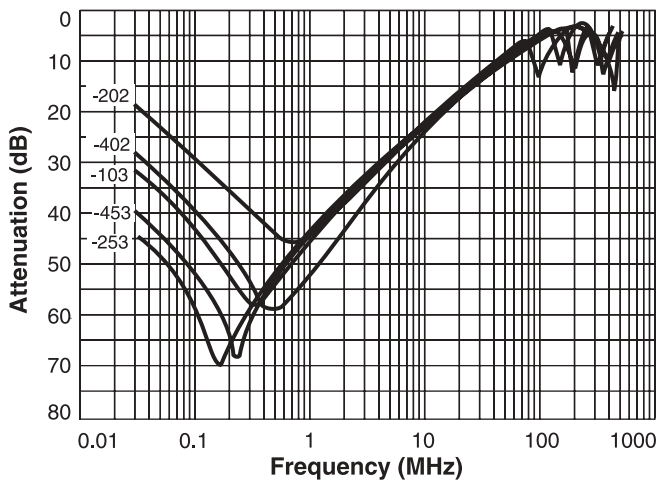
**NEW!**

# Common Mode Chokes - BU16 Series

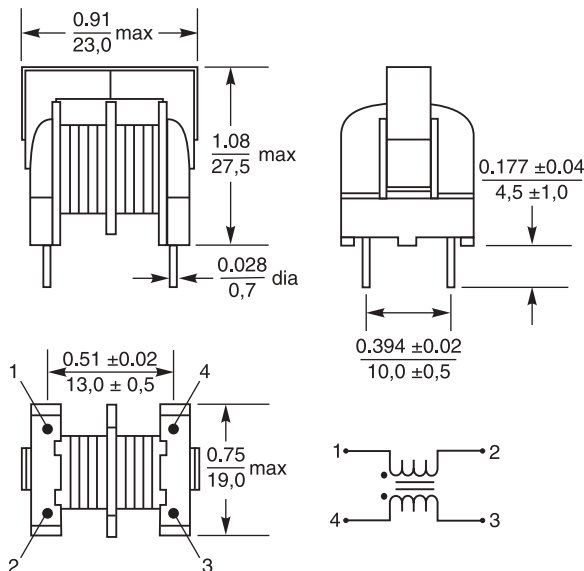
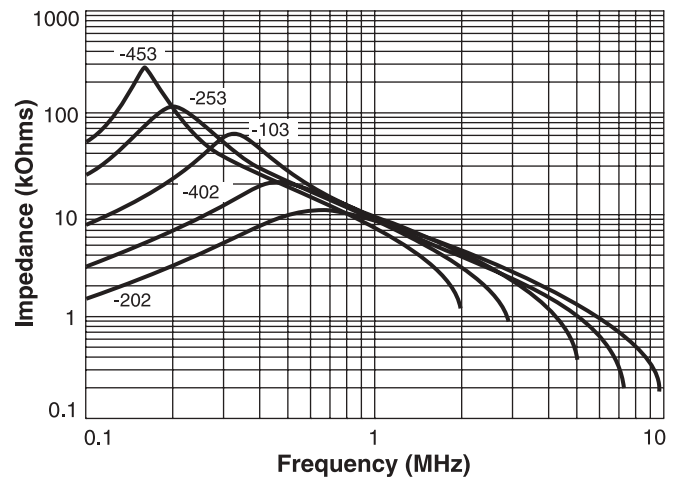
Part number	Impedance max (kOhms)	Frequency range @ 75% of impedance max	DCR (Ohms)	Current max (Aac)	Inductance <sup>1</sup> L1, L2 min (mH)	Inductance difference L1 - L2 max (µH)
BU16-4530R5B	285 @ 150 kHz	140 – 160 kHz	2.3	0.50	45.0	900
BU16-2530R7B	120 @ 200 kHz	160 – 220 kHz	1.3	0.70	25.0	500
BU16-1031R0B	60 @ 320 kHz	260 – 390 kHz	0.5	1.00	10.0	200
BU16-4021R5B	20 @ 470 kHz	360 – 600 kHz	0.3	1.50	4.0	80
BU16-2022R0B	11 @ 690 kHz	450 – 900 kHz	0.2	2.00	2.0	50

1. Inductance tested @ 1 kHz, 1 Vrms, and measured on Agilent/HP4284A LCR-meter or equivalent.
2. Operating temperature range -25°C to +80°C.
3. Electrical specifications at 25°C.

## Typical Response



## Typical Impedance



**Coilcraft**

Specifications subject to change without notice. Document 260-6 Revised 9/16/02

1102 Silver Lake Road Cary, Illinois 60013 Phone 847/639-6400 Fax 847/639-1469  
E-mail info@coilcraft.com Web http://www.coilcraft.com