

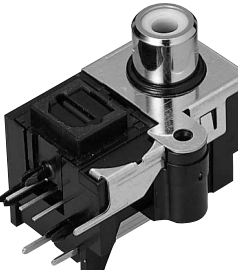
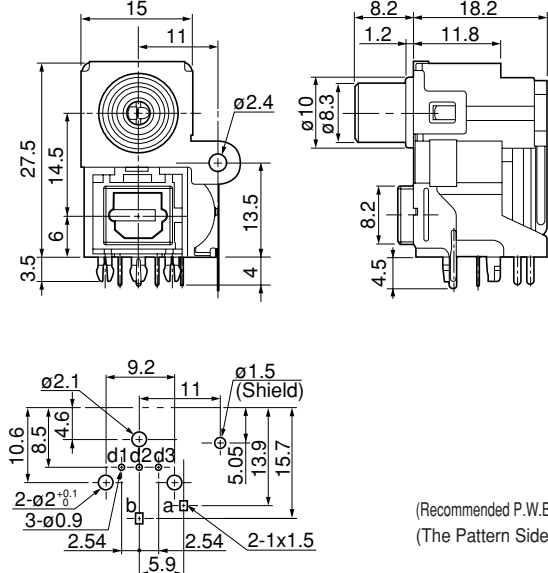
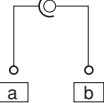

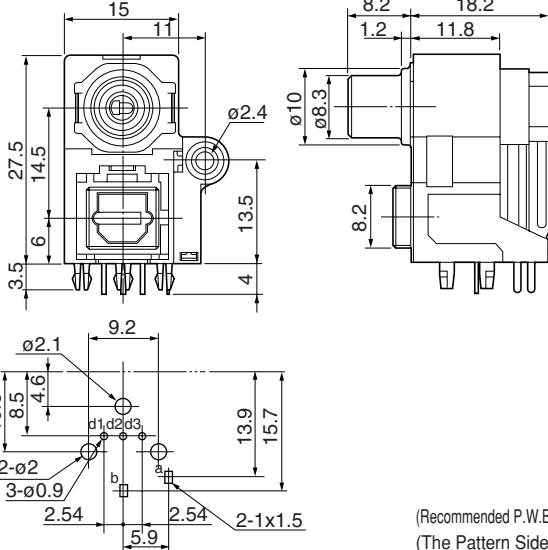
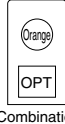

Pin Jack Module with Optical Connector

Features

1. Putting every type of input/output signal terminal together on jack boards, such as a pin jack, S terminal and optical connector, saves equipment design time and improves assembling efficiency.
2. The optical connector section can be tailored to individual customer's requirements to include, for example, a shutter, cap, etc.
3. Addition or elimination of input/output terminals is a matter of ease to meet customer's diverse needs for terminal boards from simply configured versions to full function versions, allowing extended use of one basic jack board to many equipment models provided the housing of a jack board is custom-designed.
4. This product is available on a customization basis only.

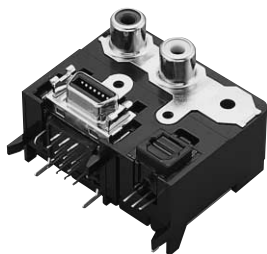
Applications

Digital equipment (DVD equipment digital STBs, etc.)

<p>LAF1011-0101F</p>  <p><China></p>	 <p>(Recommended P.W.Board Dimension) (The Pattern Side)</p> <p>Circuits (Without Switch)</p> <table border="1" data-bbox="1220 1265 1284 1332"> <tr><td>d1</td><td>Vin</td></tr> <tr><td>d2</td><td>VCC</td></tr> <tr><td>d3</td><td>GND</td></tr> </table> <p>Contact Layout</p>  <p>Pin Jack</p>	d1	Vin	d2	VCC	d3	GND
d1	Vin						
d2	VCC						
d3	GND						
<p>1P Pin Jack +Optical Connector</p>	 <p><China></p>						
<p>1P Pin Jack +Optical Connector</p>	 <p>(Recommended P.W.Board Dimension) (The Pattern Side)</p> <table border="1" data-bbox="1252 1590 1348 1657"> <tr><td>d1</td><td>Vin</td></tr> <tr><td>d2</td><td>VCC</td></tr> <tr><td>d3</td><td>GND</td></tr> </table> <p>Contact Layout</p>  <p>Transmitter (13.2Mbps/3V)</p> <p>Combination</p> <p>Circuits (Without Switch)</p>  <p>Pin Jack</p>	d1	Vin	d2	VCC	d3	GND
d1	Vin						
d2	VCC						
d3	GND						

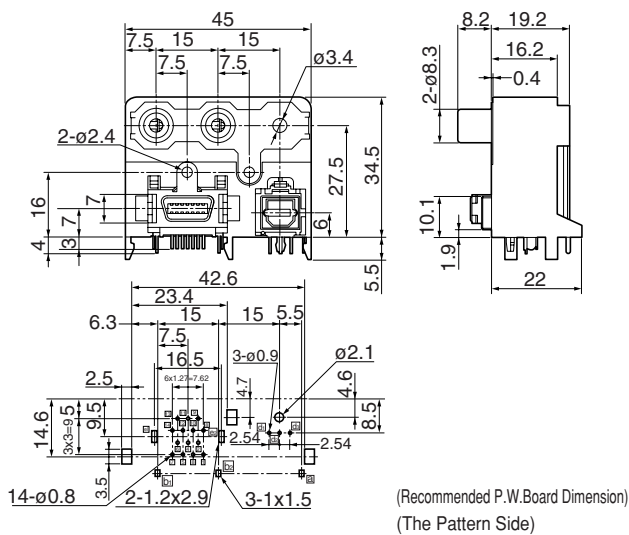
Pin Jack Module with Optical Connector

LAF1021-041□F

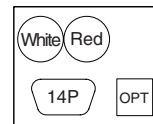


<China>

**2P Pin Jack
+D Terminal
+Optical Connector**

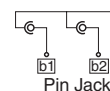


Color Layout



Finish
1 Nickel
5 Au

Circuits
(Without Switch)

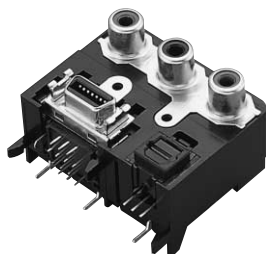


d1	Vin
d2	VCC
d3	GND



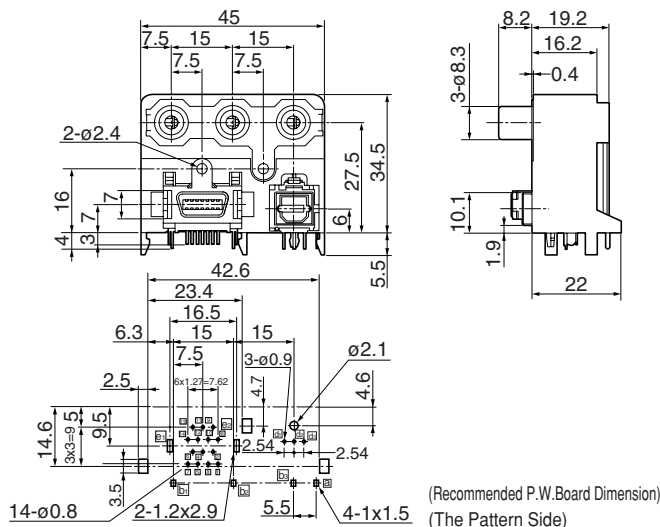
Contact Layout Contact No.Layout

LAF1022-0001F

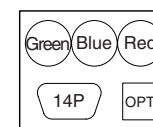


<China>

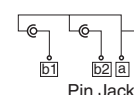
**3P Pin Jack
+D Terminal
+Optical Connector**



Color Layout



Circuits
(Without Switch)

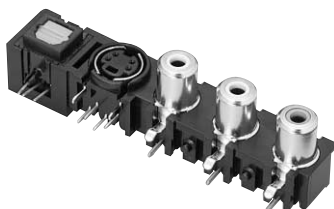


d1	Vin
d2	VCC
d3	GND



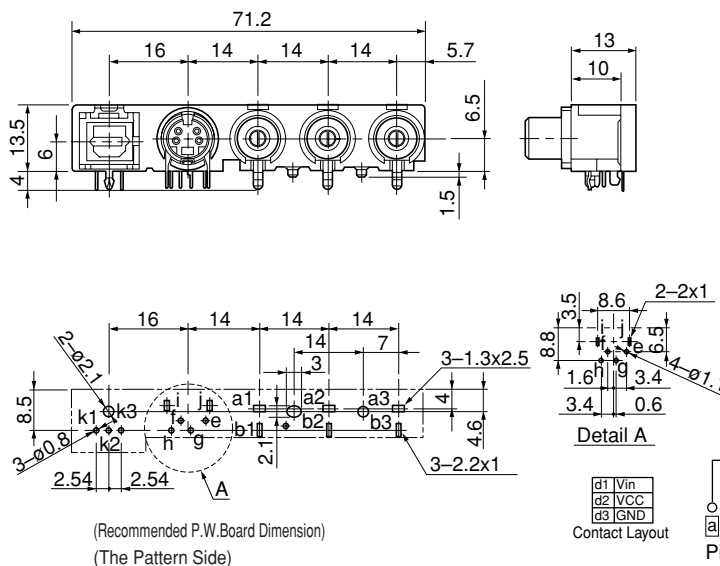
Contact Layout Contact No.Layout

LAF2021-0111F

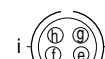


<China>

**3P Pin Jack
+1P S Terminal
+Optical Connector**



Circuits
(Without Switch)

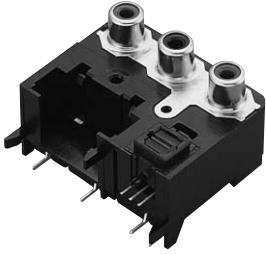


d1	Vin
d2	VCC
d3	GND

Contact Layout

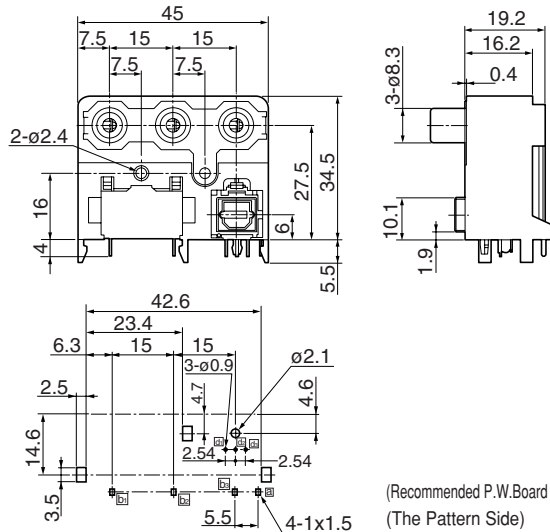
Pin Jack Module with Optical Connector

LAF1022-0101F

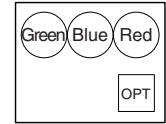


<China>

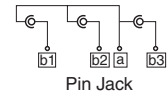
**3P Pin Jack
+Optical Connector**



Color Layout



Circuits
(Without Switch)



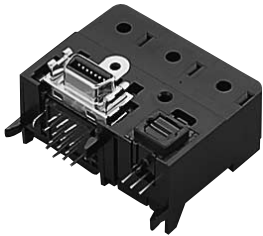
Pin Jack



Contact Layout

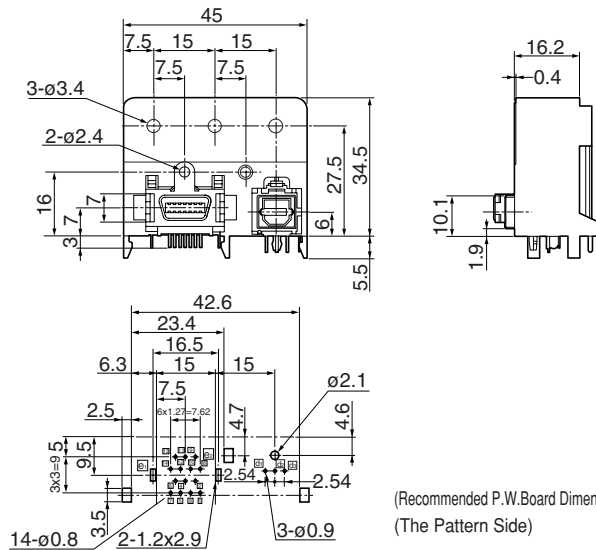
(Recommended P.W.Board Dimension)
(The Pattern Side)

LAF1022-0201F



<China>

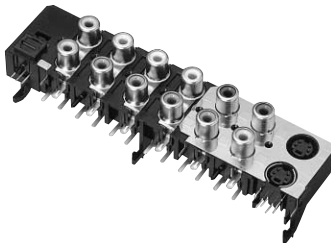
**D Terminal
+Optical Connector**



Contact Layout Contact No.Layout

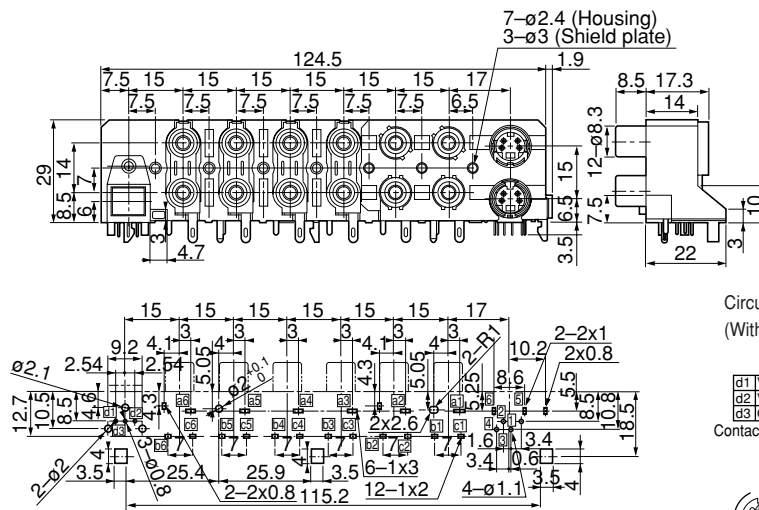
(Recommended P.W.Board Dimension)
(The Pattern Side)

LAP5130-033□F



<China>

**12P Pin Jack
+2P S Terminal
+Optical Connector**



□	Earth Metal Finish
1	Nickel
5	Au
7	Solder

Circuits
(Without Switch)



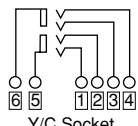
Contact Layout



Pin Jack



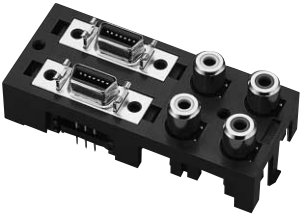
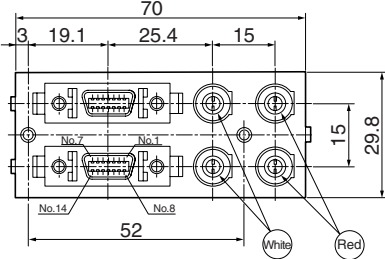
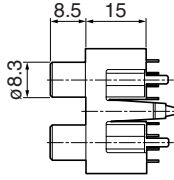
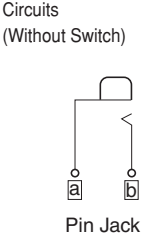
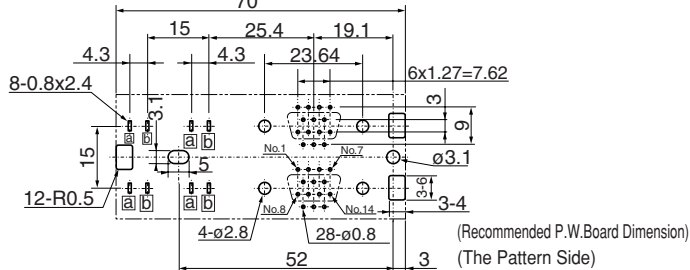
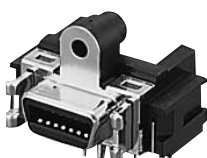
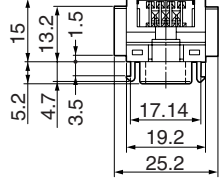
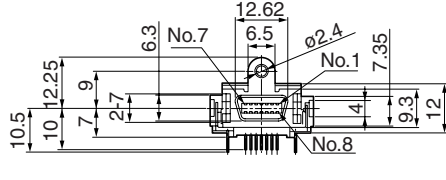
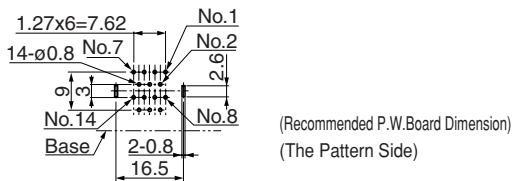
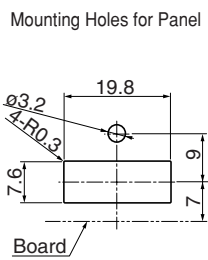
Contact Layout



Y/C Socket

(Recommended P.W.Board Dimension)
(The Pattern Side)

Pin Jack Module with D Terminal

<p>LAP4000-0056E</p>	    	
<p><Malaysia></p>	<p>4P Pin Jack +D Terminal</p>	    
<p><China></p>	<p>14P Connector</p>	<p>Right Angle</p>