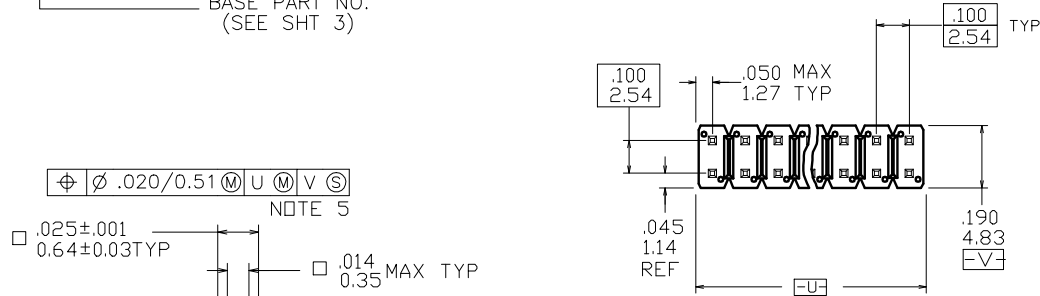
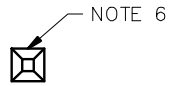
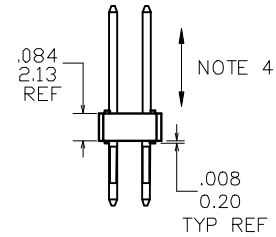
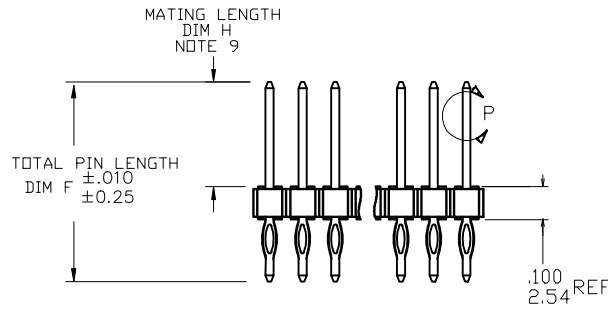


PRODUCT NUMBER  
XXXXXXXX-YYTLF

- LEAD FREE OPTION (SEE NOTE 11 & 12)
- TUBE PACKAGING (SEE NOTE 8)
- NO. OF POSITIONS (SEE NOTE 6)
- PLATING NUMBER  
(SEE SHEET 2)
- BASE PART NO.  
(SEE SHT 3)



**DETAIL P**  
SCALE: 4/1  
TYP BOTH ENDS



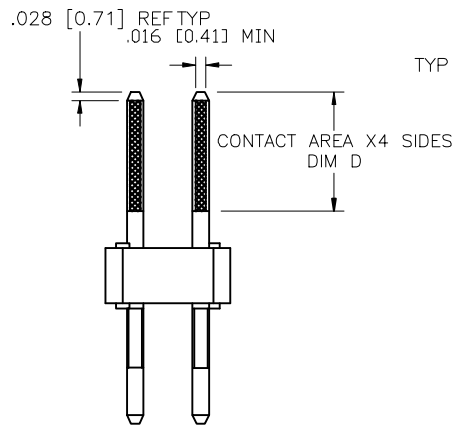
mat'l. code				surface	tolerance	projection	product family
				ISO 1302	ISO 406	ISO 1101	BERGSTIK
ltr	ecn no	dr	date	tolerances unless otherwise specified			title
A	M07-0323	MHT	3/01/07	linear	.XX±.01/XX±0.3	INCH/MM	BERGSTIK® II HEADER DR
B	M08-0279	MHT	9/30/08		.XXX±.006/XXX±0.13	scale 2:1	.100/2.54cc DUPLEX PRESS FIT
				0'±2'	.XXX±.0020/XXX±0.051		
				dr	M.HERNANDEZ	3/01/07	dwg no
				engr	S.FIERRO	3/01/07	sheet 1 of 3
				chr	S.FIERRO	3/01/07	size
				appd	S.FIERRO	3/01/07	A3
				sheet	revision	B B B	type
				index	sheet	1 2 3	Product Customer Drawing

PLATING NUMBER	CONTACT AREA "DIM D" PLATING	PRESS FIT TAIL PLATING
XXXXXXXX-1YYLF	30u"/0.76u Au OVER 50u"/1.27u Ni	40u"/1.02u TIN OVER 50u"/1.27u Ni
XXXXXXXX-2YYLF	15u"/0.38u Au OVER 50u"/1.27u Ni	40u"/1.02u TIN OVER 50u"/1.27u Ni
XXXXXXXX-4YYLF	120u"/3.05u TIN OVER 50u"/1.27u Ni	120u"/3.05u TIN OVER 50u"/1.27u Ni
XXXXXXXX-5YYLF	30u"/0.76u GXT OVER 50u"/1.27u Ni	40u"/1.02u TIN OVER 50u"/1.27u Ni

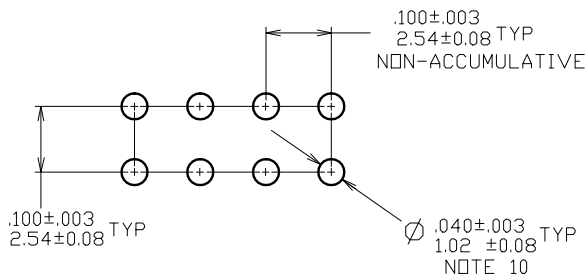
NOTE 13

NOTES

- ① BODY MATERIAL: GLASS FIBER REINFORCED PCT FLAME RETARDANT PER UL-94V-0. COLOR: BLACK.  
OR  
MINERAL FILLED LCP FLAME RETARDANT PER UL-94V-0. COLOR: BLACK.
- ② PIN MATERIAL: PHOS-BRONZE.
3. FINISH: SEE TABLE
- ④ 2 Lbs / 0.9 Kg MIN RETENTION IN EITHER DIRECTION.
- ⑤ MEASURED WITH PART IN RESTRAINED CONDITION.
- ⑥ ANY NUMBER OF POSITIONS FROM 2 (2X1) THROUGH 72 (2X36).
7. PACKAGED IN POLY BAGS.
- ⑧ EIGHT DIGIT PART NUMBERS FOLLOWED BY A "T" ARE PACKAGED IN TUBES. SEE SPECIFIC PART NUMBERS FOR AVAILABILITY.
- ⑨ TO ASSURE PROPER INSTALLATION: BERG TOOLING, AS SPECIFIED IN INSTRUCTION MANUAL 166577 MUST BE USED. PIN MATING LENGTH WILL BE  $\pm 0.005/0.13$  AFTER INSTALLATION.
- ⑩  $\phi .0453/1.151$  DRILLED HOLE PLATED WITH  $.0003/.007$  MIN. Sn OVER  $.001/.03$  TO  $.003/.08$  Cu. PLATING TO ACHIEVE A  $\phi .040 \pm .003/1.02 \pm .08$  HOLE.
- ⑪ PART NUMBERS WITH "LF" SUFFIX ARE LEAD FREE.
- ⑫ THIS PRODUCT MEETS EUROPEAN UNION DIRECTIVES AND OTHER COUNTRY REGULATION AS DESCRIBED IN GS-22-008.
- ⑬ "THIS PRODUCT HAS 100% PURE TIN PLATING IN THE INTERFACE AND HAS NOT BEEN TESTED FOR WHISKER GROWTH IN ALL INTERCONNECT ENVIRONMENTS."



DOUBLE ROW  
END VIEW



DOUBLE ROW  
RECOMMENDED HOLE PATTERN

mat'l. code		surface	tolerance	projection	product family
ISO 1302		ISO 406	ISO 1101		BERGSTIK
ltr	ecn no	dr	date	title	
B				BERGSTIK® II HEADER DR	
tolerances unless otherwise specified		angles	linear	INCH/MM	.100/2.54cc DUPLEX PRESS FIT
		0°±2'	XXX±.01/XX±0.3	scale	2:1
			XXX±.006/XX±0.13		
			XXX±.0020/XXX±0.051		
dr	M.HERNANDEZ	3/01/07	engr	S.FIERRO	3/01/07
chr	S.FIERRO	3/01/07	appd	S.FIERRO	3/01/07
sheet	revision		type Product Customer Drawing		
index	sheet				



Copyright FCI

PRODUCT NO.	TOTAL PIN LGTH		MATING LENGTH		CONTACT AREA		
	DIM F	DIM F	DIM H	DIM H	DIM D	DIM D	
	ENGLISH	METRIC	ENGLISH	METRIC	ENGLISH	METRIC	PACKAGING
10077239-XYX	0.608	15.44	0.318	8.08	0.200	5.08	POLY BAGS/TUBE



Copyright FCJ

mat'l. code		surface ISO 1302 <input checked="" type="checkbox"/> ISO 406 ISO 7101		tolerance ISO 406 ISO 7101		projection 		product family BERGSTIK	
ltr	ecp no	dr	date	tolerances unless otherwise specified				title	
B				angles	linear	INCH/MM		BERGSTIK® II HEADER DR	
				0° ± 2'		scale 2:1		.100/2.54cc DUPLEX PRESS FIT	
				dr	M.HERNANDEZ	3/01/07	dwg no		sheet 3 of 3 size
				engr	S.FIERRO	3/01/07	10077239		A3
				chr	S.FIERRO	3/01/07	type		Product Customer Drawing
				appd	S.FIERRO	3/01/07			
sheet	revision								
index	sheet								

form A3