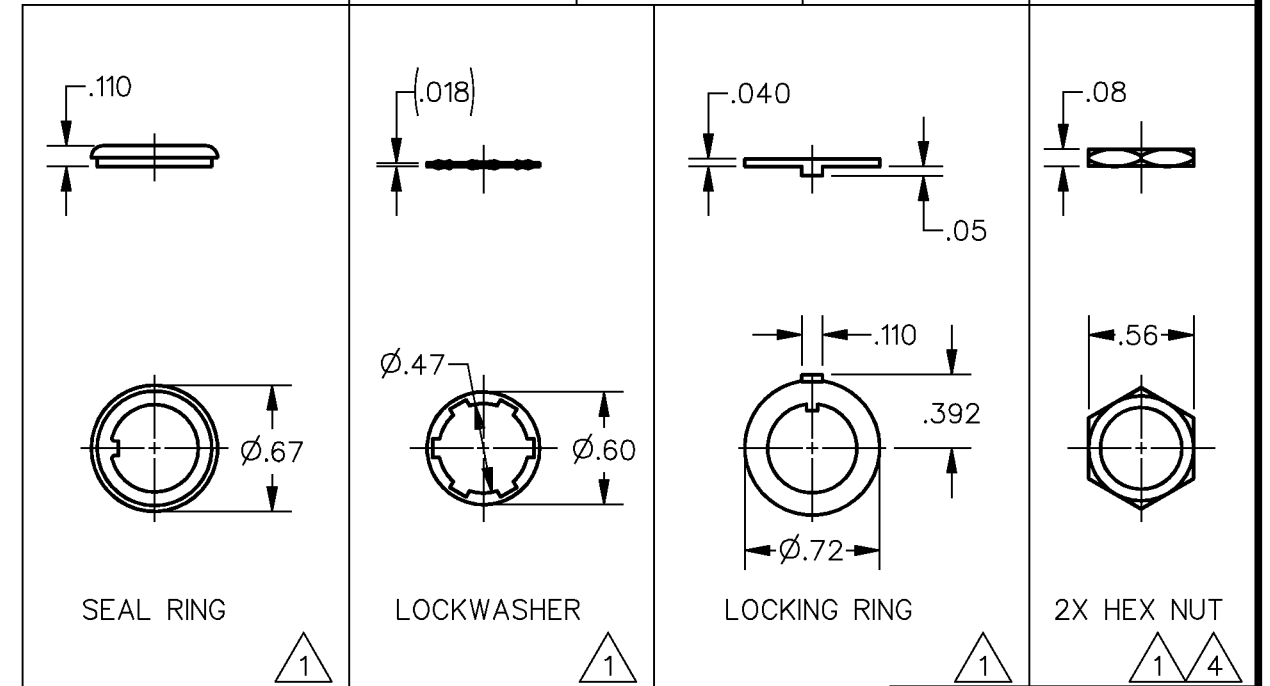
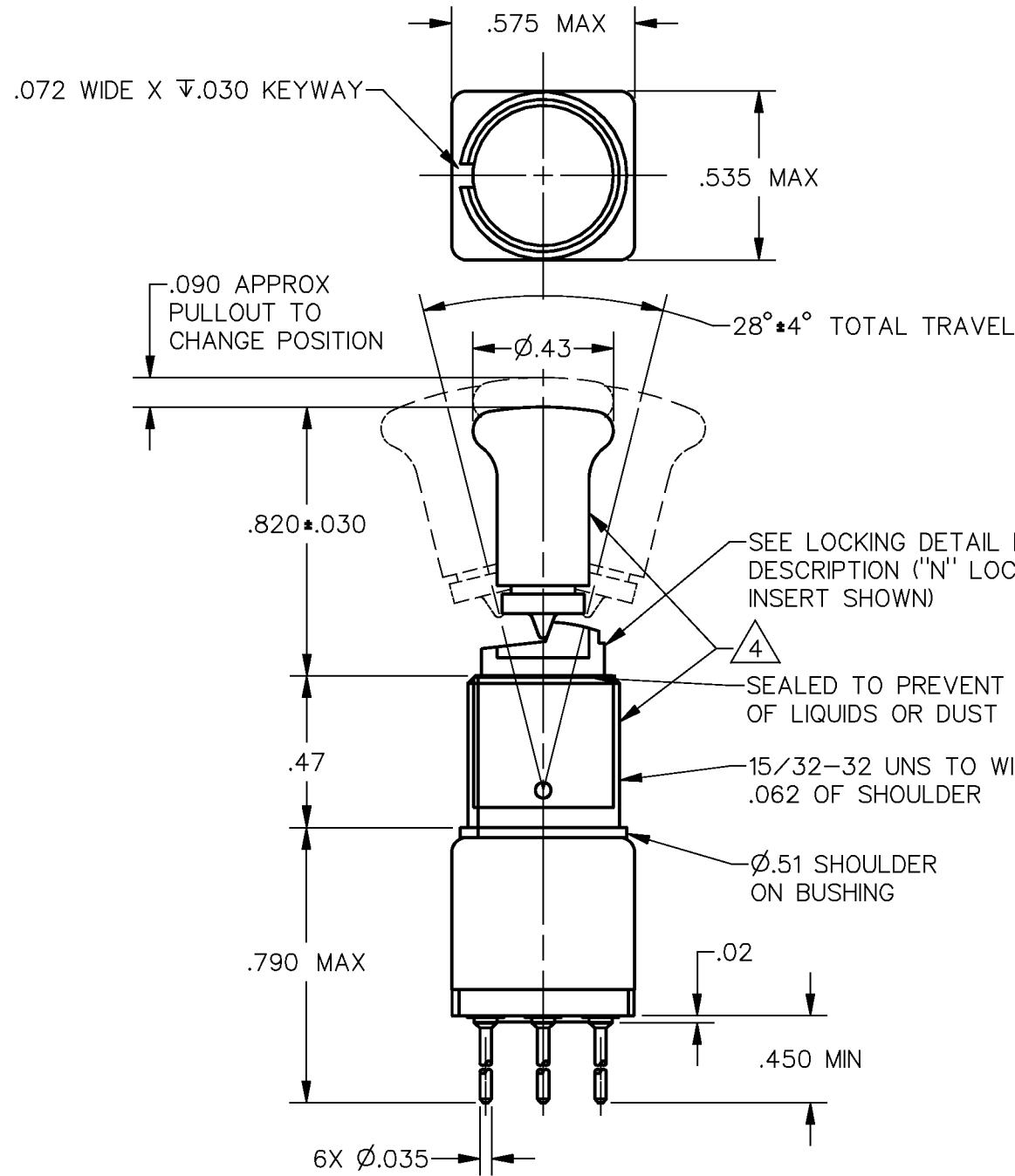


**SWITCH - TOGGLE**

CATALOG LISTING  
**12TW70-514**  
**SERIES CHART 2**

THIS DRAWING COVERS A PROPRIETARY ITEM AND IS THE PROPERTY OF MICRO SWITCH, A DIVISION OF HONEYWELL. THIS DRAWING IS NOT TO BE COPIED OR USED WITHOUT THE APPROVAL OF MICRO SWITCH.

CATALOG LISTING	AVAILABLE LOCKING COMBINATIONS FOR CONFIGURATIONS SEE LETTERED DETAILS	"A"	"B"	"D"	"E"
12TW70-514	E,F, K,L,M,N	LOCKED IN THREE POSITIONS	LOCKED IN CENTER AND EXTREME POS. (KEYWAY SIDE)	LOCKED OUT OF CENTER POSITION	LOCKED IN CENTER POSITION
		"F"	"G"	"H"	"J"
		LOCKED IN EXTREME POS. (OPP. KEYWAY)	LOCKED IN EXTREME POS. (KEYWAY SIDE)	LOCKED OUT OF CENTER AND EXTREME POS. (KEYWAY SIDE)	LOCKED OUT OF CENTER AND EXTREME POS. (OPP. KEYWAY)
		"K"	"L"	"M"	"N"
		LOCKED IN CENTER AND EXTREME POS. (OPP. KEYWAY)	LOCKED OUT OF EXTREME POS. (KEYWAY SIDE)	LOCKED OUT OF AND INTO EXTREME POS. (OPP. KEYWAY)	LOCKED OUT OF EXTREME POS. (OPP. KEYWAY)
CIRCUIT MADE WITH TOGGLE LEVER IN					
		KEYWAY SIDE	CENTER	OPPOSITE KEYWAY	"P"
		MAINTAINED POSITION	MAINTAINED POSITION	MOMENTARY POSITION	
					LOCKED OUT OF AND INTO EXTREME POS. (KEYWAY SIDE)



- NOTES
- 1 FURNISHED UNASSEMBLED
  - 2 SUFFIX MUST BE ADDED FOR DESIRED TYPE TOGGLE LOCKING. SEE CHART FOR AVAILABLE LOCKING COMBINATIONS
  - 3 - TERMINALS ARE PLATED FOR SOLDERING
  - 4 MATTE FINISH

CATALOG LISTING  
**12TW70-514 SERIES CHART 2**  
 PAGE 1 OF 1

ISSUE  
**M**  
 2

REVISIONS  
 A PR21949  
 J.A.K.  
 9 MAY 96

DDM/CAD  
 DRAWN  
 J.A.K.  
 9 MAY 96

CHECK  
 RELEASE NO. PR-21949  
 REPLACES

ELECTRICAL DATA  
 L117 5A 125 VAC

THIRD ANGLE PROJECTION  
  
 SCALE 2 : 1  
 DO NOT SCALE PRINT  
**UNLESS OTHERWISE SPECIFIED TOLERANCES ARE**  
 ONE PLACE (.0) ±.030  
 TWO PLACE (.00) ±.015  
 THREE PLACE (.000) ±.005  
 ANGLES ±  
 WEIGHT

**SWITCH - TOGGLE**

**12TW70-514 SERIES CHART 2**

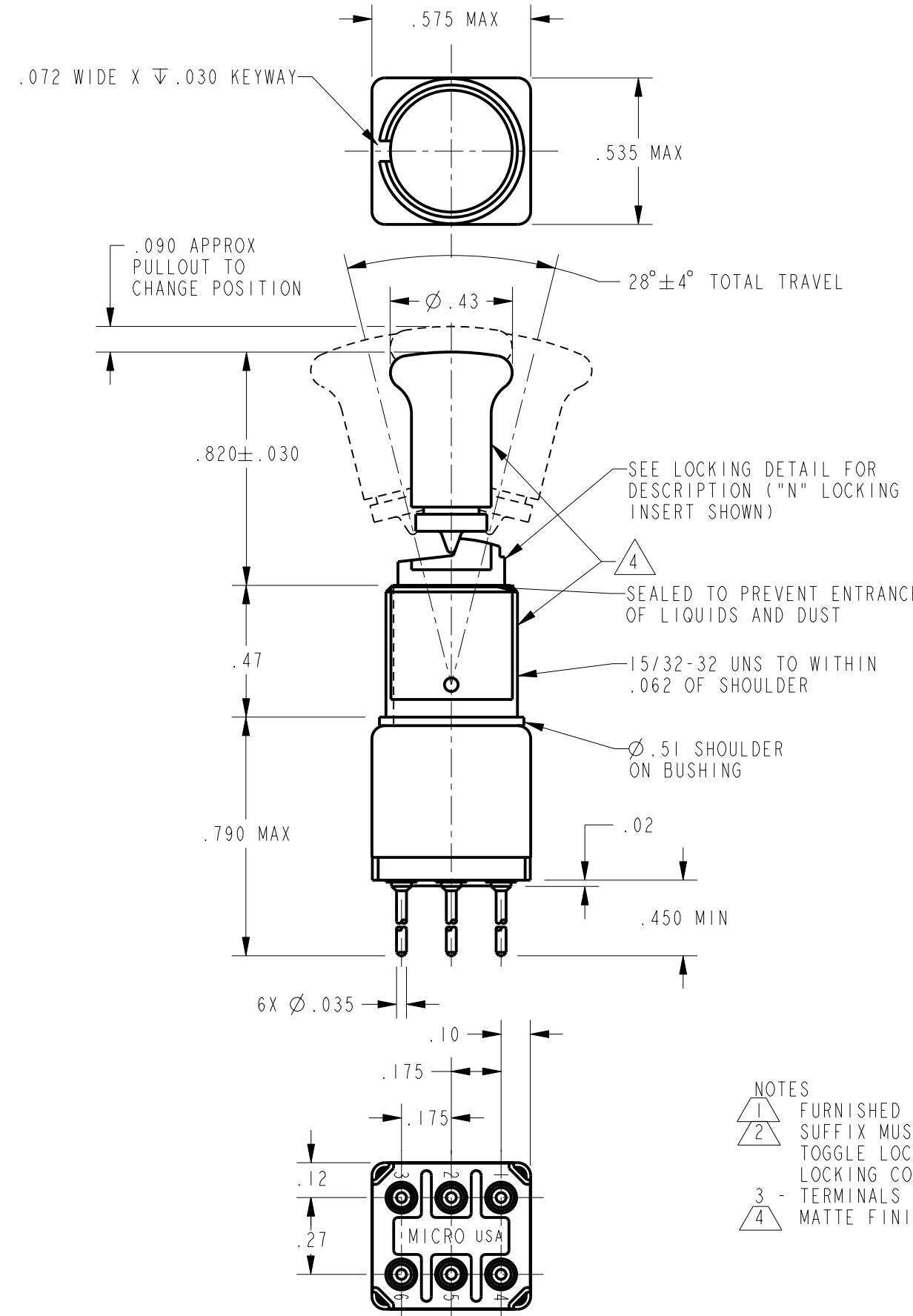
CATALOG LISTING

THIS DRAWING COVERS A PROPRIETARY ITEM AND IS THE PROPERTY OF MICRO SWITCH. A DIVISION OF HONEYWELL. THIS DRAWING IS NOT TO BE COPIED OR USED WITHOUT THE APPROVAL OF MICRO SWITCH

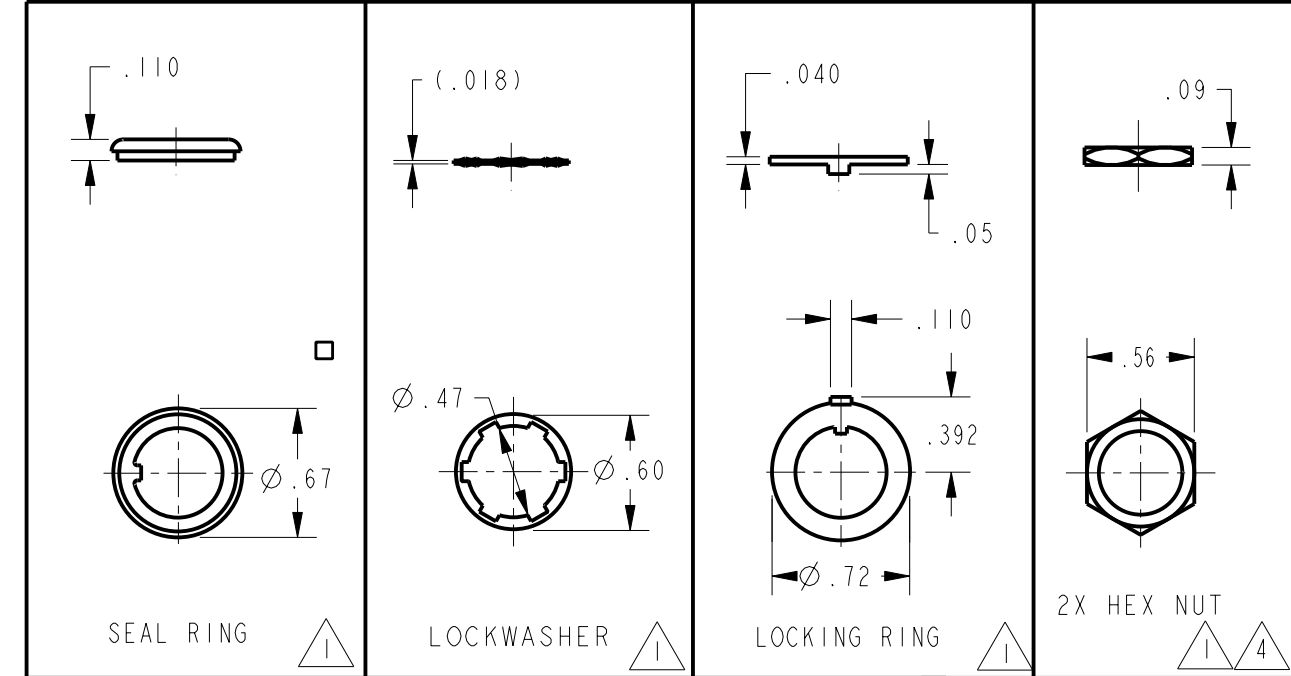
CATALOG LISTING  
**12TW70-514 SERIES CHART 2**  
PAGE 1 OF 1  
RELEASE NO. PR-21949  
REPLACES -  
CHECK  
27 JUN 02  
CHECK  
27 JUN 02  
CHECK  
27 JUN 02  
CHECK  
27 JUN 02  
DRAWN  
PTC/CAD 2D  
D L T 27 JUN 02  
ANSI Y14.5M-1982 APPLIES

ISSUE  
**3**

REVISIONS  
A 206019  
D L T  
27 JUN 02



CATALOG LISTING <sup>2</sup>	AVAILABLE LOCKING COMBINATIONS FOR CONFIGURATIONS SEE LETTERED DETAILS	"A" <sup>2</sup> LOCKED IN THREE POSITIONS	"B" <sup>2</sup> LOCKED IN CENTER AND EXTREME POS. (KEYWAY SIDE)	"D" <sup>2</sup> LOCKED OUT OF CENTER POSITION	"E" <sup>2</sup> LOCKED IN CENTER POSITION
	E, F, K, L, M, N	"F" <sup>2</sup> LOCKED IN EXTREME POS. (OPP. KEYWAY)	"G" <sup>2</sup> LOCKED IN EXTREME POS. (KEYWAY SIDE)	"H" <sup>2</sup> LOCKED OUT OF CENTER AND EXTREME POS. (KEYWAY SIDE)	"J" <sup>2</sup> LOCKED OUT OF CENTER AND EXTREME POS. (OPP. KEYWAY)
		"K" <sup>2</sup> LOCKED IN CENTER AND EXTREME POS. (OPP. KEYWAY)	"L" <sup>2</sup> LOCKED OUT OF EXTREME POS. (KEYWAY SIDE)	"M" <sup>2</sup> LOCKED OUT OF AND INTO EXTREME POS. (OPP. KEYWAY)	"N" <sup>2</sup> LOCKED OUT OF EXTREME POS. (OPP. KEYWAY)
CIRCUIT MADE WITH TOGGLE LEVER IN					"P" <sup>2</sup> LOCKED OUT OF AND INTO EXTREME POS. (KEYWAY SIDE)
KEYWAY SIDE			CENTER		
MAINTAINED POSITION			MAINTAINED POSITION		MOMENTARY POSITION
3 2 1 6 5 4			3 2 1 6 5 4		



- NOTES
- <sup>1</sup> FURNISHED UNASSEMBLED
  - <sup>2</sup> SUFFIX MUST BE ADDED FOR DESIRED TYPE TOGGLE LOCKING. SEE CHART FOR AVAILABLE LOCKING COMBINATIONS
  - <sup>3</sup> - TERMINALS ARE PLATED FOR SOLDERING
  - <sup>4</sup> MATTE FINISH

ELECTRICAL DATA	
L117	5A 125 VAC

THIRD ANGLE PROJECTION

SCALE 2 : 1

DO NOT SCALE PRINT

UNLESS OTHERWISE SPECIFIED TOLERANCES ARE

ONE PLACE	(.0)	$\pm$ .030
TWO PLACE	(.00)	$\pm$ .015
THREE PLACE	(.000)	$\pm$ .005
ANGLES		$\pm$
WEIGHT		

