

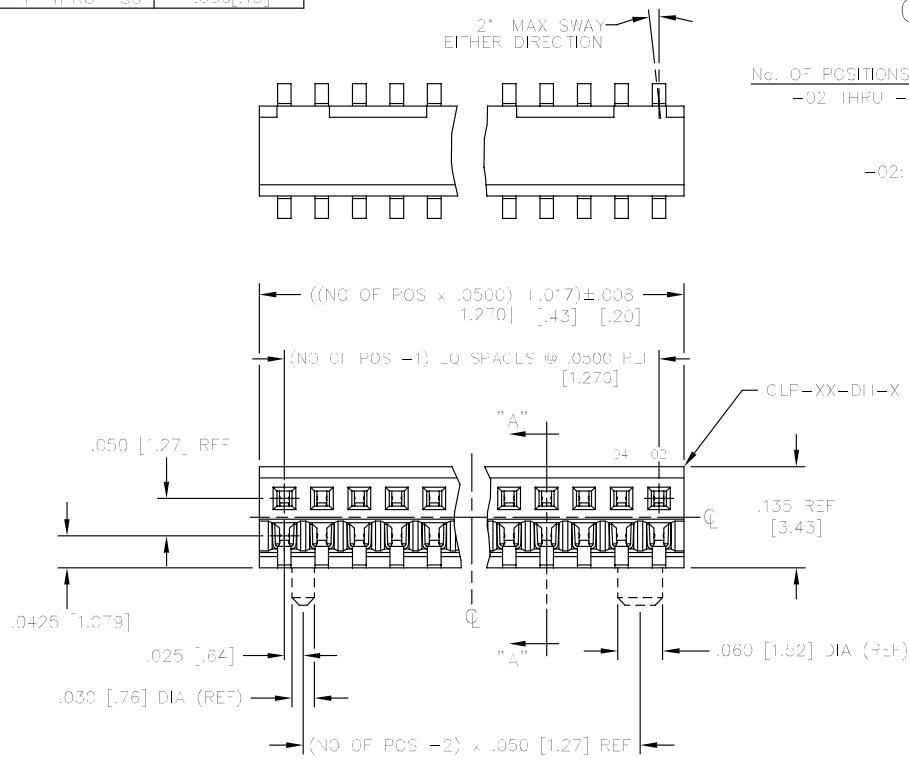
REVISION R

TABLE 1	
POSITION	COPLANARITY
-02 THRU -40	.004 [.10]
-41 THRU -50	.006 [.15]

ONE PLACE DECIMALS ± .01 [2.54] THREE PLACE DECIMALS ± .005 [127]
 TWO PLACE DECIMALS ± .01 [25] FOUR PLACE DECIMALS ± .0025 [63.5]

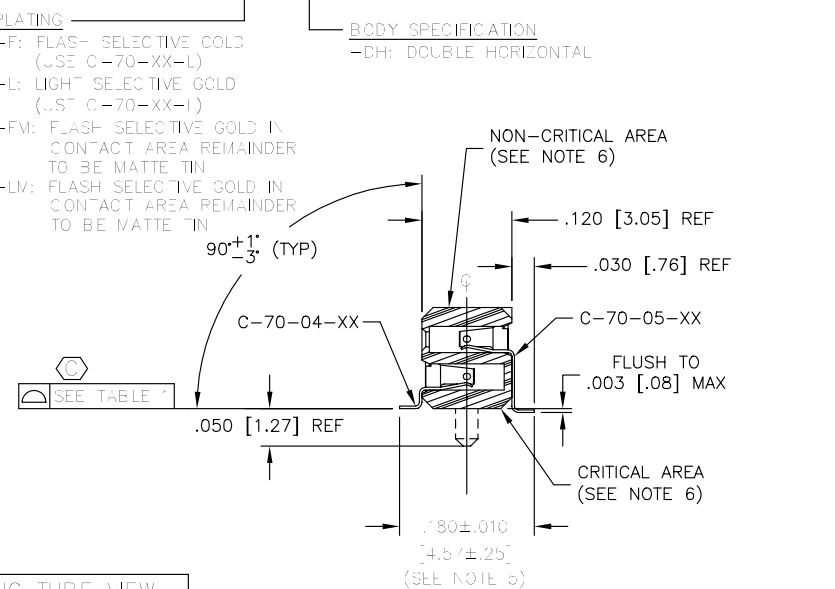
TITLE: LOW PROFILE
 .050 x .050
 DOUBLE ROW ASM

DWG NO: CLP-1XX-XX-X-DH-XX
 SHEET 1 OF 1



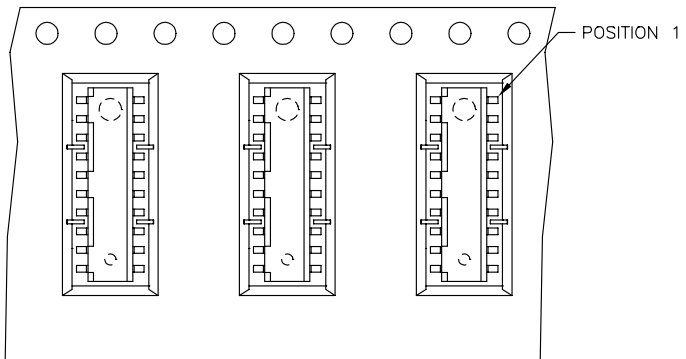
CLP-1XX-XX-X-DH-XX

OPTION
 - F: APE & REEL PACKAGING
 - A: ALIGNMENT PIN (USE CLP-XX-DH-A)
 (BODIES MUST BE MOLDED TO POSITION)
 (AVAILABLE ON POSITIONS -04 THRU -50)
 [SEE NOTE 7]

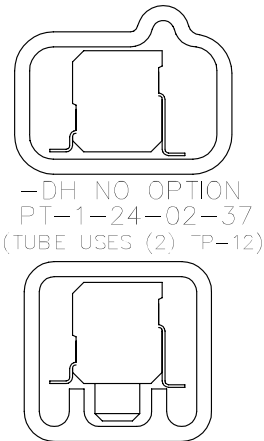


SECT. "A-A"

-TR: TAPE & REEL VIEW (TRAIL-TR)



PACKAGING TUBE VIEW



NOTES:

1. ALL DIMENSIONS TO BE SYMMETRICAL ABOUT CENTERLINE WITHIN ±.002 UNLESS OTHERWISE NOTED.
2. POSITIONS -05 THRU -50 ARE TO BE PACKAGED IN TUBES; -02 THRU -04 ARE TO BE LAYER PACKAGED.
3. CONTACT RETENTION FORCE: 1 LB MIN.
4. Ⓢ REPRESENTS A CRITICAL DIMENSION.
5. TAILS ARE SHEARED, MAX BURR, ORIENTED AWAY FROM CUSTOMER'S P.C.B ONLY, TO BE .0045 MAX.
6. .015 [.38] MAX CUT FLASH IN NON-CRITICAL AREAS; NO CUT FLASH TO BE PRESENT IN CRITICAL AREAS AS SHOWN.
7. MILD STEEL CAPABLE OF -02 & -03 POSITION (-A OPTION), BUT NOT ENG'G APPROVED.

PROPRIETARY NOTE
 THE INFORMATION CONTAINED HEREIN IS THE PROPERTY OF SAMTEC CORPORATION AND IS TO BE USED ONLY FOR THE PURPOSES SPECIFIED HEREIN. NO PART OF THIS DOCUMENT IS TO BE REPRODUCED OR TRANSMITTED IN ANY FORM OR BY ANY MEANS, ELECTRONIC OR MECHANICAL, INCLUDING PHOTOCOPYING, RECORDING, OR BY ANY INFORMATION STORAGE AND RETRIEVAL SYSTEM, WITHOUT PERMISSION IN WRITING FROM SAMTEC CORPORATION.

samtec

220 PARK EAST BLVD NEW ABBEVILLE, INDIANA 47750
 PHONE (317) 944-6733 P.O. BOX 1147
 GGCE 55322

DATE: PURVIS 11-29-95

CLP-1XX-XX-X-DH-XX