

CATALOG LISTING
32NT392 SERIES CHART 1

PAGE 1 OF 1

ISSUE **3**

REVISIONS
A CO-94361
DCS 23 NOV 99
B 207607
CSL 10 MAR 03

CHECK 17MAY96

CHECK TSM

DRAWN JJA 15MAY96

REPLACES -

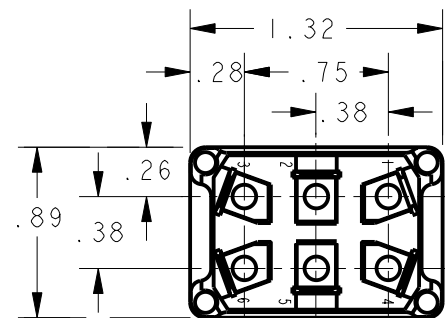
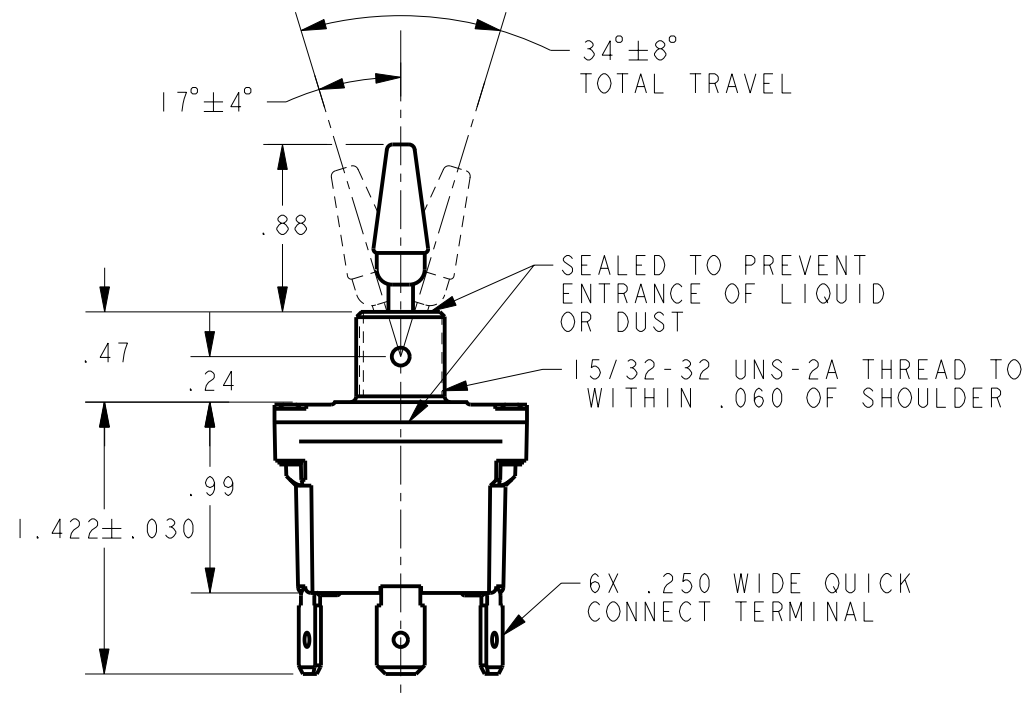
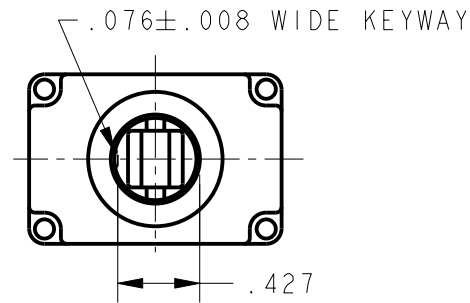
RELEASE NO. PR-22178

CHECK

CHECK

CHECK

CHECK



CATALOG LISTING	CIRCUIT MADE WITH TOGGLE LEVER IN			ELECTRICAL DATA
	KEYWAY SIDE (1-2, 4-5)	CENTER (1-2, 4-5)	OPPOSITE KEYWAY (2-3, 5-6)	
32NT392-1	ON	OFF	ON	L191 15A 125, 250, 277 VAC 1/2HP 125 VAC 1HP 250, 277 VAC 5A 125 VAC "L"
32NT392-2	OFF	NONE	ON	
32NT392-3	ON	NONE	ON	
32NT392-21	NONE	OFF	ON	
32NT392-31	NONE	ON	ON	
32NT392-4	MOM OFF	NONE	ON	
32NT392-5	MOM ON	OFF	ON	L192 10A 125, 250, 277 VAC 1/4HP 125 VAC 1/2HP 250, 277 VAC 3A 125 VAC "L"
32NT392-6	MOM ON	NONE	OFF	
32NT392-7	MOM ON	OFF	MOM ON	
32NT392-8	MON ON	NONE	ON	
32NT392-51	NONE	ON	MOM ON	
32NT392-61	MOM ON	OFF	NONE	

LEVER COLOR CODE		LEVER STYLE		
COLOR IDENT	COLOR	STYLE A	STYLE B	STYLE C
01	WHITE			
02	BLACK			
03	BLUE			
04	RED			
05	GREEN			
06	ORANGE			
07	GRAY			
08	YELLOW			

LOCKWASHER

2X HEX NUT

LOCKING RING

NOTES

- 1 - SWITCHES ARE CAPABLE OF WITHSTANDING A TEMPERATURE OF 160° F CONTINUOUSLY AT FULL RATED LOAD
- 2 - MICRO SWITCH CATALOG LISTING MARKED ON SIDE OF SWITCH
- FURNISHED UNASSEMBLED
- APPLIES ONLY TO "ON" AND "MOMENTARY ON" POSITIONS
- SUFFIX MUST BE ADDED FOR DESIRED LEVER STYLE AND COLOR (EXAMPLE: 32NT392-7-C08)

THIRD ANGLE PROJECTION	
SCALE	FULL
DO NOT SCALE PRINT	
UNLESS OTHERWISE SPECIFIED TOLERANCES ARE	
ONE PLACE (.0)	±.030
TWO PLACE (.00)	±.015
THREE PLACE (.000)	±.005
ANGLES	±
WEIGHT	