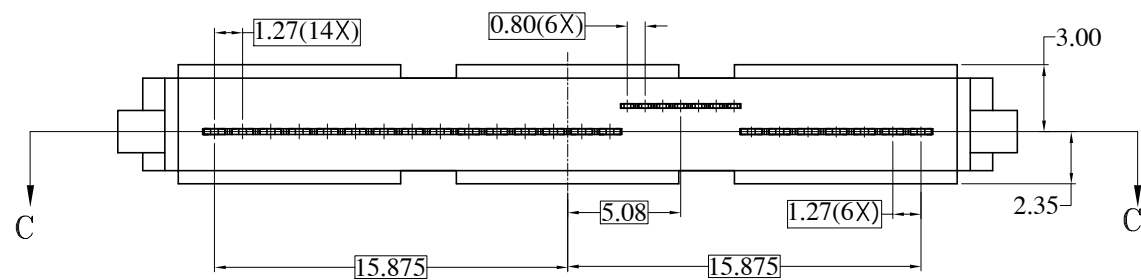
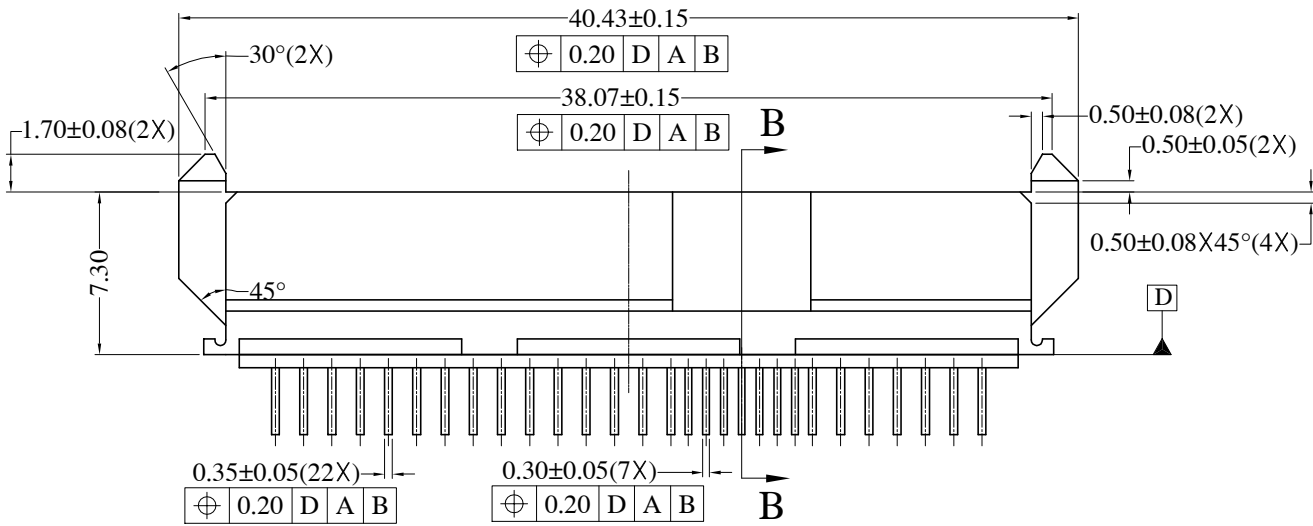
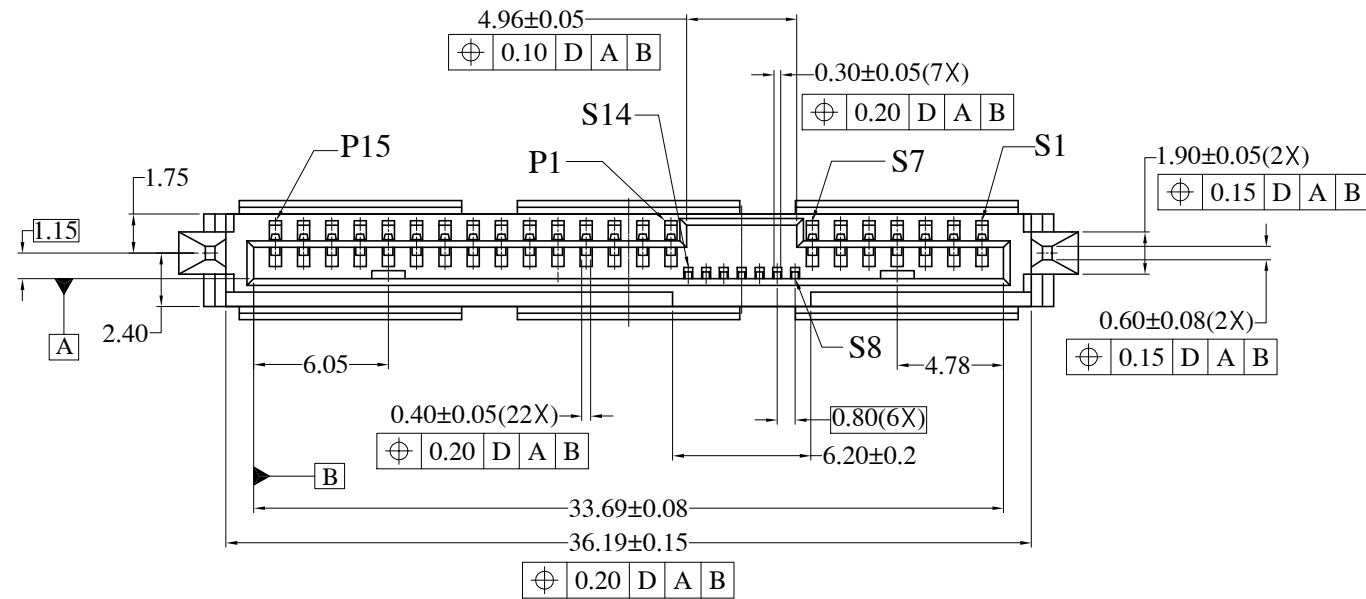


This document is the property of Amphenol Corporation and is delivered on the express condition that it is not to be disclosed, reproduced or used, in whole or in part, for manufacture or sale by anyone other than Amphenol Corporation without its prior consent, & that no right is granted to disclose or to use any information in this document.

REVISIONS				
SYM	ECN	DESCRIPTION	DATE	APPROVED
B	HK3385	Release to customer	5/25/05	IP



NOTES:

- MATERIAL HOUSING: PBT 30% GLASS FILLED UL94V-0, BLACK. OR EQUIVALENT HIGH TEMPERATURE PLASTIC.
CONTACT: PHOSPHOR BRONZE
PLATING: REFER TO P/N SYSTEM ON MATING AREA
1.27~2.54um NICKEL UNDERPLATE OVERALL
2.54~5.08um PURE TIN ON SOLDER TAIL
- ELECTRICAL SPECIFICATION: CURRENT RATING: 1.5A
CONTACT RESISTANCE: 30mΩ MAX.
INSULATOR RESISTANCE: 1000MΩ MIN.
DIELECTRIC WITHSTANDING VOLTAGE: 500 V AC
- ORDER P/N SYSTEM: SAS-F810-008-X

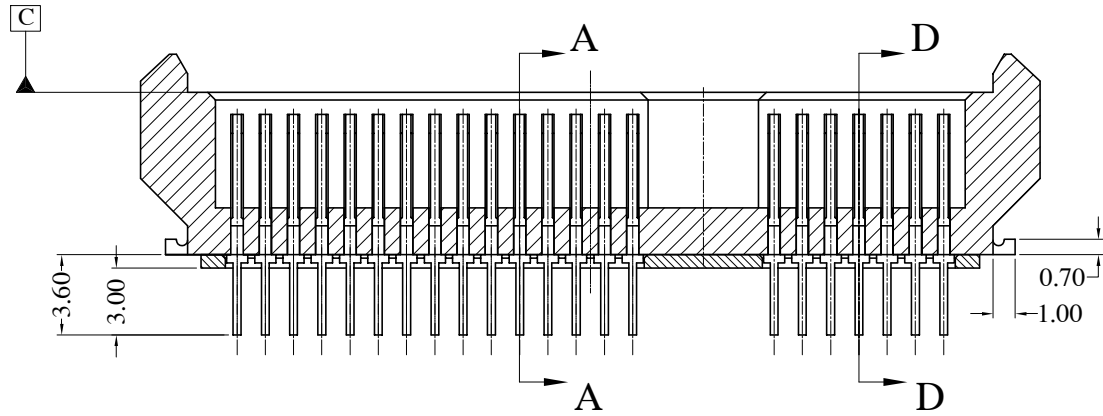
MATING AREA PLATING
1- 0.76um MIN Au.
2- 0.38um MIN Au.
A- Gold FLASH

Customer Drawing

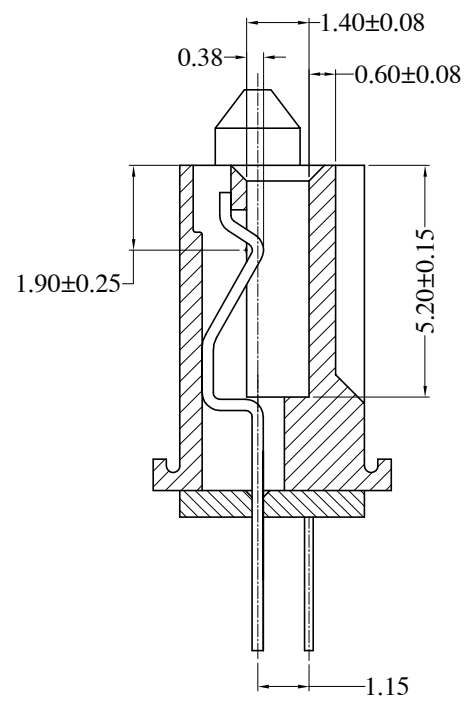
ITEM	PART NO.	REQ'D	DESCRIPTION
PARTS LIST			
UNLESS OTHERWISE SPECIFIED TOLERANCES		APPROVAL	DATE
U.S. METRIC		DRAWN RAN.XIAO	5/25/05
.X +/-		CHECKED MICHAEL IP	5/25/05
.XX +/-		CHECKED	
.XXX +/-			
FRACTIONS +/-			
ANGLES +/-			
FOR MATERIALS AND FINISHES SEE NOTES		DRAWING FILE :	TITLE
REMOVE SHARP EDGES		PE MASTER DRAWING SAS CSAS-F810-008-X	SAS SOCKET WITH CABLE TERMINATION
DIMENSIONS		ANGLE OF PROJECTION	SIZE DRAWING NO. REV.
U.S.	INCHES		A3 C SAS-F810-008-X B
(METRIC)	(MM)		SCALE NONE SHEET 1 OF 2

This document is the property of Amphenol Corporation and is delivered on the express condition that it is not to be disclosed, reproduced or used, in whole or in part, for manufacture or sale by anyone other than Amphenol Corporation without its prior consent, & that no right is granted to disclose or to use any information in this document.

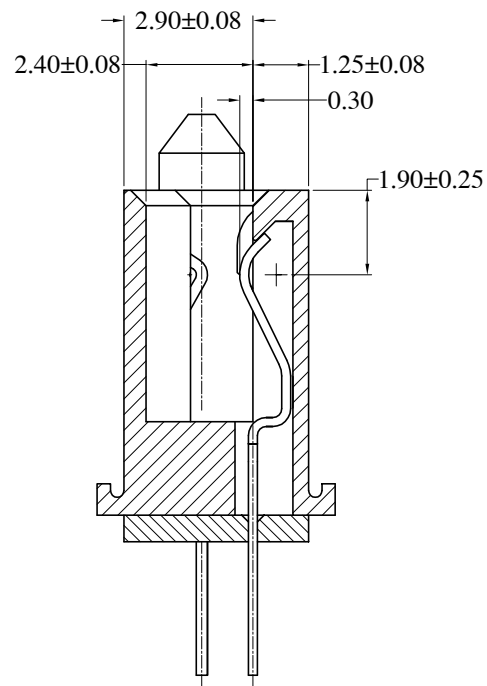
REVISIONS				
SYM	ECN	DESCRIPTION	DATE	APPROVED
		Refer to sheet 1		



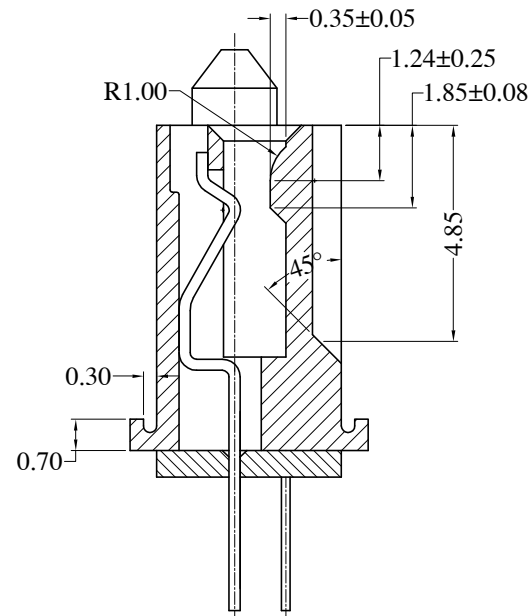
SECTION C-C



SECTION A-A



SECTION B-B



SECTION D-D

Customer

Drawing

ITEM	PART NO.	REQ'D	DESCRIPTION
PARTS LIST			
UNLESS OTHERWISE SPECIFIED TOLERANCES		APPROVAL	DATE
U.S. METRIC		DRAWN RAN.XIAO	5/25/05
.X +/- ±0.20		CHECKED MICHAEL IP	5/25/05
.XX +/- ±0.10		CHECKED	
.XXX +/- ±0.10			
FRACTIONS +/-			
ANGLES +/-			
FOR MATERIALS AND FINISHES SEE NOTES		DRAWING FILE :	TITLE
		PE MASTER DRAWING SAS CSAS-F810-008-X	SAS SOCKET WITH CABLE TERMINATION
REMOVE SHARP EDGES		ANGLE OF PROJECTION	SIZE DRAWING NO. REV.
DIMENSIONS			A3 C SAS-F810-008-X B
U.S. INCHES	(METRIC) (MM)		SCALE NONE SHEET 2 OF 2