

Power Thermistor SCK Series

■ FEATURE

- Body size $\Phi 5\text{mm} \sim \Phi 30\text{mm}$
- Radial lead resin coated
- $-40^{\circ}\text{C} \sim +200^{\circ}\text{C}$ operating temperature range
- High power rating
- Wide resistance range
- Cost effective

■ RECOMMENDED APPLICATIONS

- Switch mode power supply
- Electric motor
- Transformer
- Adapter
- Projector
- Halogen

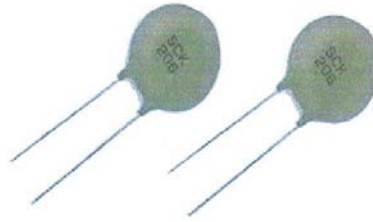
■ APPROVALS



UL 1434 Recognized (File # E138827)



CSA Recognized (File # 97495)



■ ORDERING INFORMATION

$\Phi 5\text{mm} \sim \Phi 15\text{mm}$

SCK **05** **20** **X3** **M** **S** **Y**
 1 2 3 4 5 6 7

1	Produce Code	SCK
2	Body Size	05 - $\Phi 5\text{mm}$ 08 - $\Phi 8\text{mm}$ 10 - $\Phi 10\text{mm}$ 13 - $\Phi 13\text{mm}$ 15 - $\Phi 15\text{mm}$
3	Zero Power Resistance at 25°C (R25)	0R5 - 0.5Ω 2R5 - 2.5Ω 08 - 8Ω 20 - 20Ω 120 - 120Ω
4	Max Steady State Current at 25°C	X3 - 0.3A 2X - 2.5A 8 - 8A 10 - 10A
5	Tolerance of R25	L - $\pm 15\%$ M - $\pm 20\%$ N - $\pm 25\%$
6	Appearance	S - Straight Lead I - Inner Kink Lead F - Y Kink Lead
7	Optional Suffix	Y - RoHS compliant

ORDERING INFORMATION

Φ20mm~Φ30mm

www.DataSheet4U.com

SCK

20

470

M

S

6

Y

1

2

3

4

5

6

7

1 Produce Code

SCK

2 Body Size

20 - Φ20mm

25 - Φ25mm

30 - Φ30mm

3 Zero Power Resistance at 25°C (R25)

R25 < 10Ω

0R7 - 0.7Ω

2R5 - 2.5Ω

R25 ≥ 10Ω

100 - 10Ω

470 - 47Ω

471 - 470Ω

4 Tolerance of R25

L - ±15%

M - ±20%

H - ±3%

5 Appearance

S - Straight Lead

I - Inner Kink Lead

F - Y Kink Lead

6 Packaging

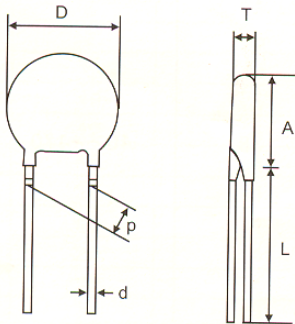
B - Bulk

7 Optional Suffix

Y - RoHS compliant

DIEMENSION

S type (straight lead)



Disc Size	D Max.	P Nor.	D Nor.	A Max.	L Min.	T Max.
Φ05	6.5	4.0 ± 0.6	0.8 ± 0.02	6.5	31	5
Φ08	9.5	5.0 ± 0.8	0.8 ± 0.02	9.5	31	5
Φ10	11.5	5.0 ± 0.8	0.8 ± 0.02	11.5	31	5
Φ13	14.5	7.5 ± 1.0	0.8 ± 0.02	14.5	30	6
Φ15	16.5	7.5 ± 1.0	1.0 ± 0.02	16.5	29	6
Φ20	21.5	7.5 ± 1.0	1.0 ± 0.02	21.5	26	6
Φ25	29.0	7.5 ± 1.0	1.0 ± 0.02	29.0	25	7
Φ30	36.0	7.5 ± 1.0	1.0 ± 0.02	36.0	23	8

I type (Inner Kink lead)

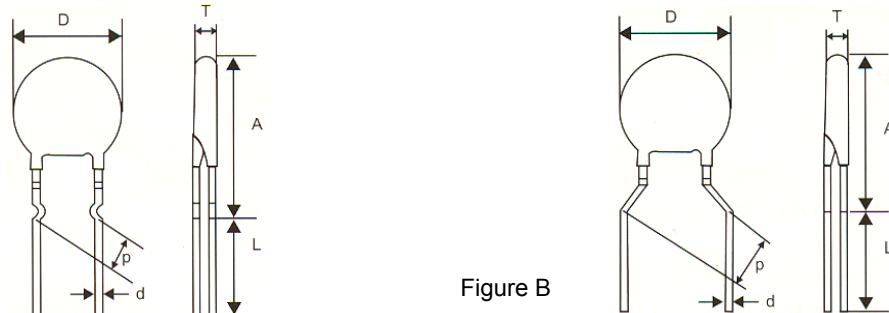


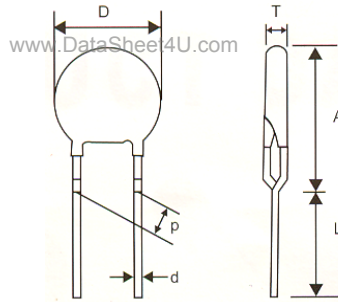
Figure A

Figure B

Disc Size	D Max.	P Nor.	D Nor.	A Max.	L Min.	T Max.	Figure
Φ05	6.5	5.0 ± 0.8	0.8 ± 0.02	10	29	5	B
Φ08	9.5	5.0 ± 0.8	0.8 ± 0.02	16	25	5	A
Φ10	11.5	5.0 ± 0.8	0.8 ± 0.02	17	25	5	A
Φ13	14.5	7.5 ± 1.0	0.8 ± 0.02	19	25	6	A
Φ15	16.5	7.5 ± 1.0	1.0 ± 0.02	23	25	6	A
Φ20	21.5	7.5 ± 1.0	1.0 ± 0.02	28	24	6	A

DIEMENSION

F type (Y Kink lead)



Disc Size	D Max.	P Nor.	D Nor.	A Max.	L Min.	T Max.
Φ08	9.5	5.0 ± 0.8	0.8 ± 0.02	13	29	5
Φ10	11.5	5.0 ± 0.8	0.8 ± 0.02	15	29	5
Φ13	14.5	7.5 ± 1.0	0.8 ± 0.02	17	27	6
Φ15	16.5	7.5 ± 1.0	1.0 ± 0.02	20	26	6

CHARACTERISTICS

Part Number	Zero power resistance at 25°C	Max. steady state current at 25°C	Max. power rating at 25°C	Thermal dissipation constant	Thermal time constant	Operating temperature range
	(Ω)	(A)	(W)	mW/°C	Sec	°C
SCK05052 □	5	2	1.8	15	17	-40°C ~ +150°C
SCK05081 □	8	1				
SCK05101 □	10	1				
SCK05121 □	12	1				
SCK0520X3 □	20	0.3				
SCK08042 □	4	2	2.3	16	38	-40°C ~ +170°C
SCK084R72 □	4.7	2				
SCK08053 □	5	3				
SCK08063 □	6	3				
SCK08073 □	7	3				
SCK08082 □	8	2				
SCK08102 □	10	2				
SCK08152 □	15	2				
SCK08201 □	20	1				
SCK0830X □	30	0.5				
SCK10015 □	1	5	2.4	17	43	-40°C ~ +170°C
SCK101R35 □	1.3	5				
SCK101R55 □	1.5	5				
SCK102R55A □	2.5	5				
SCK10035 □	3	5				
SCK10044 □	4	4				
SCK10054 □	5	4				
SCK106R83 □	6.8	3				
SCK10083 □	8	3				
SCK10103 □	10	3				
SCK10123 □	12	3				
SCK10133 □	13	3				
SCK10152x □	15	2.5				
SCK10162x □	16	2.5				
SCK10202 □	20	2				
SCK10222 □	22	2				
SCK10252 □	25	2				
SCK10302 □	30	2				
SCK10472 □	47	2				
SCK10502 □	50	2				
SCK10801 □	80	1				
SCK101001 □	100	1				
SCK101201 □	120	1				

*Note: □ = Tolerance of Resistance

■ CHARACTERISTICS

Part Number	Zero power resistance at 25°C	Max. steady state current at 25°C	Max. power rating at 25°C	Thermal dissipation constant	Thermal time constant	Operating temperature range
	(Ω)	(A)	(W)	mW/°C	Sec	°C
SCK13013 □	1	3	3.1	18	66	-40°C ~ +200°C
SCK131R37 □	1.3	7				
SCK132R56 □	2.5	6				
SCK13045 □	4	5				
SCK134R74 □	4.7	4				
SCK13055 □	5	5				
SCK13074 □	7	4				
SCK13084 □	8	4				
SCK13104 □	10	4				
SCK13124 □	12	4				
SCK13153 □	15	3				
SCK13163 □	16	3				
SCK13183 □	18	3				
SCK13203 □	20	3				
SCK150R78A □	0.7	8				
SCK15016 □	1	6				
SCK151R38 □	1.3	8				
SCK151R58 □	1.5	8				
SCK15028 □	2	8				
SCK152R58 □	2.5	8				
SCK15037 □	3	7				
SCK15046 □	4	6				
SCK15056 □	5	6				
SCK15065 □	6	5				
SCK15075 □	7	5				
SCK15085 □	8	5				
SCK15105 □	10	5				
SCK15125 □	12	5				
SCK15154 □	15	4				
SCK15164 □	16	4				
SCK15184 □	18	4				
SCK15204 □	20	4				
SCK15224 □	22	4				
SCK15253 □	25	3				
SCK15303 □	30	3				
SCK15403 □	40	3				
SCK15473 □	47	3				
SCK15802X □	80	2.5				
SCK151202 □	120	2				

*Note: □ = Tolerance of Resistance

■ CHARACTERISTICS

Part Number	Zero power resistance at 25°C	Max. steady state current at 25°C	Max. power rating at 25°C	Thermal dissipation constant	Thermal time constant	Operating temperature range
	(Ω)	(A)	(W)	mW/°C	Sec	°C
SCK200R7 <input type="checkbox"/>	0.7	15	4.9	28	113	-40°C ~ +200°C
SCK201R0 <input type="checkbox"/>	1	13				
SCK201R5 <input type="checkbox"/>	1.5	10.5				
SCK202R0 <input type="checkbox"/>	2	10				
SCK202R5 <input type="checkbox"/>	2.5	9				
SCK203R0 <input type="checkbox"/>	3	8.5				
SCK204R0 <input type="checkbox"/>	4	8				
SCK204R7 <input type="checkbox"/>	4.7	7.5				
SCK205R0 <input type="checkbox"/>	5	7.5				
SCK206R0 <input type="checkbox"/>	6	7				
SCK206R8 <input type="checkbox"/>	6.8	6.5				
SCK207R0 <input type="checkbox"/>	7	6.5				
SCK208R0 <input type="checkbox"/>	8	6				
SCK20100 <input type="checkbox"/>	10	5.5				
SCK20120 <input type="checkbox"/>	12	5				
SCK20130 <input type="checkbox"/>	13	5				
SCK20150 <input type="checkbox"/>	15	4.5				
SCK20160 <input type="checkbox"/>	16	4.5				
SCK20180 <input type="checkbox"/>	18	4				
SCK20200 <input type="checkbox"/>	20	4				
SCK251R0 <input type="checkbox"/>	1	20	5.2	30	150	-40°C ~ +200°C
SCK251R5 <input type="checkbox"/>	1.5	18.5				
SCK252R0 <input type="checkbox"/>	2	18				
SCK252R5 <input type="checkbox"/>	2.5	15				
SCK253R0 <input type="checkbox"/>	3	14.5				
SCK254R0 <input type="checkbox"/>	4	14				
SCK254R7 <input type="checkbox"/>	4.7	13				
SCK255R0 <input type="checkbox"/>	5	12				
SCK256R8 <input type="checkbox"/>	6.8	10.5				
SCK257R0 <input type="checkbox"/>	7	10				
SCK258R0 <input type="checkbox"/>	8	9				
SCK25100 <input type="checkbox"/>	10	8				
SCK25120 <input type="checkbox"/>	12	7.5				
SCK25150 <input type="checkbox"/>	15	6.5				
SCK25180 <input type="checkbox"/>	18	5.5				
SCK25200 <input type="checkbox"/>	20	5				
SCK25121 <input type="checkbox"/>	120	3				

*Note: = Tolerance of Resistance

■ CHARACTERISTICS

Part Number	Zero power resistance at 25°C	Max. steady state current at 25°C	Max. power rating at 25°C	Thermal dissipation constant	Thermal time constant	Operating temperature range
	(Ω)	(A)	(W)	mW/°C	Sec	°C
SCK301R0 <input type="checkbox"/>	1	30	7	40	190	-40°C ~ +200°C
SCK301R5 <input type="checkbox"/>	1.5	25				
SCK302R0 <input type="checkbox"/>	2	23				
SCK302R5 <input type="checkbox"/>	2.5	18				
SCK303R0 <input type="checkbox"/>	3	17				
SCK304R0 <input type="checkbox"/>	4	16				
SCK304R7 <input type="checkbox"/>	4.7	15				
SCK305R0 <input type="checkbox"/>	5	14				
SCK306R8 <input type="checkbox"/>	6.8	12				
SCK307R0 <input type="checkbox"/>	7	11.5				
SCK308R0 <input type="checkbox"/>	8	10.5				
SCK30100 <input type="checkbox"/>	10	10				
SCK30120 <input type="checkbox"/>	12	9				
SCH30180 <input type="checkbox"/>	18	7				
SCK30200 <input type="checkbox"/>	20	6				

*Note: = Tolerance of Resistance