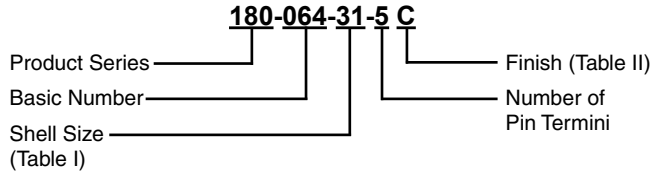


180-064

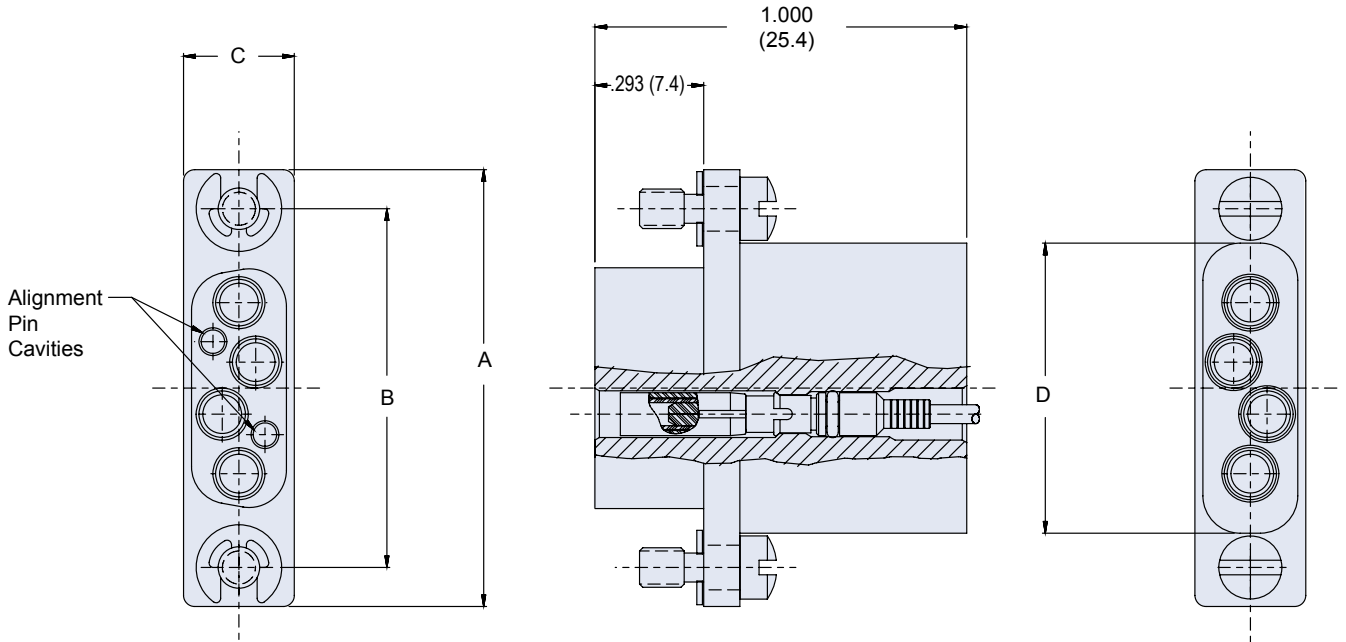
4 Channel Micro-D Fiber Optic Plug Connector for Glenair Front Release Socket Terminus 181-011



Custom Connector System



SYM	MATERIAL	FINISH
C	Aluminum	Black Anodize
M	Aluminum	Electroless Nickel (Coupling Nut Electrodeposited)
NF	Aluminum	Cadmium, Olive Drab over Electroless Nickel
ZN	Aluminum	Zinc-Nickel, Olive Drab over Electroless Nickel
Z1	Stainless Steel	Passivate



Shell Size	A ±.010 (0.3)	B ±.003 (0.1)	C ±.010 (0.3)	D ±.010 (0.3)	Max F.O. Skt
9	.775 (19.7)	.565 (14.4)	.298 (7.6)	.380 (9.7)	1
15	.925 (23.5)	.715 (18.2)	.298 (7.6)	.530 (13.5)	2
21	1.075 (27.3)	.865 (22.0)	.298 (7.6)	.680 (17.3)	3
25	1.175 (29.8)	.965 (24.5)	.298 (7.6)	.780 (19.8)	4
31	1.325 (33.7)	1.115 (28.3)	.298 (7.6)	.930 (23.6)	5
100	2.160 (54.9)	1.800 (45.7)	.384 (9.8)	1.425 (36.2)	8

1.	Assembly packaged in plastic bag and tag identified with manufacturer's name and part number.
2.	Material/Finish: Shell: Aluminum Alloy (See Table II).
3.	Fiber Optic Terminus to be ordered separately. See Glenair drawing 181-011-XXX.
4.	Backshell to be ordered separately (Consult factory).
5.	This Plug is designed to be used with Glenair P/N 180-063 Receptacle (See Page H-6).
6.	Metric dimensions (mm) are in parentheses.