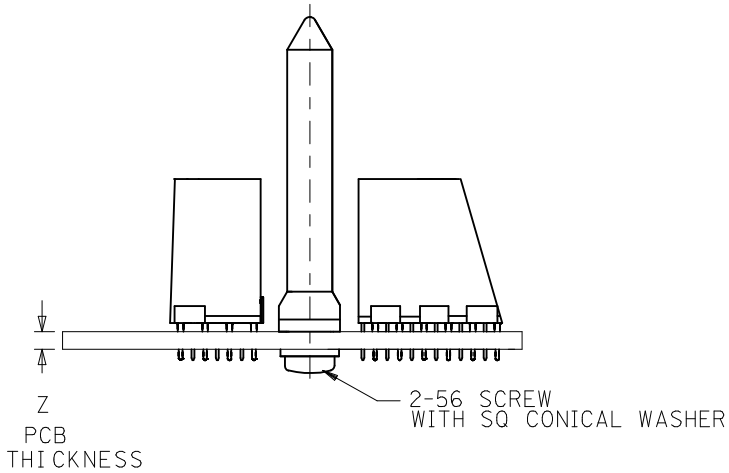
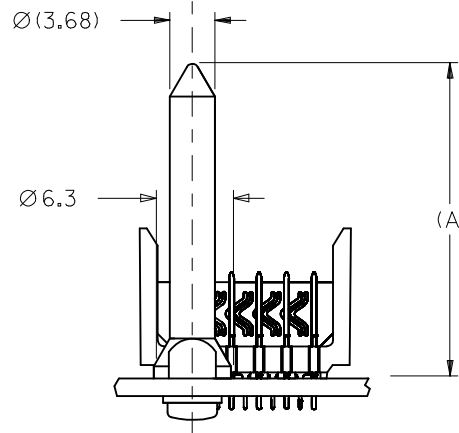


BACKPLANE HOLE PATTERN
FREE STAND GUIDE PIN

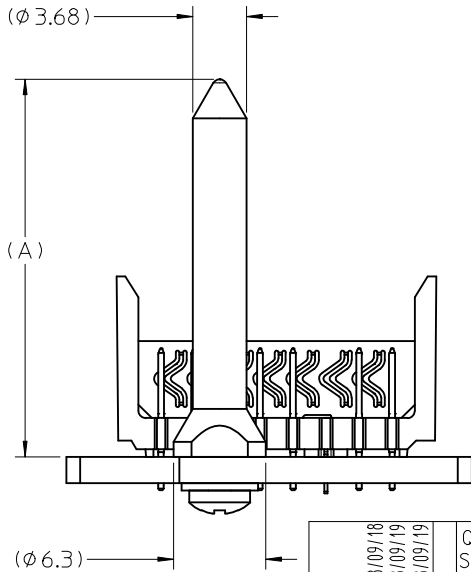
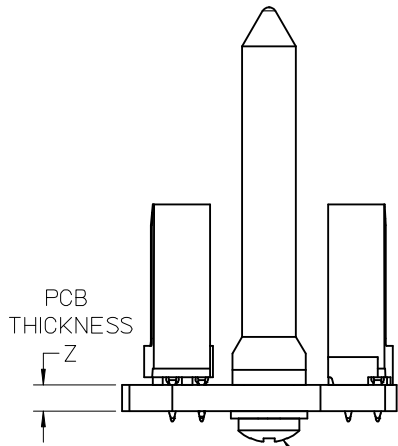
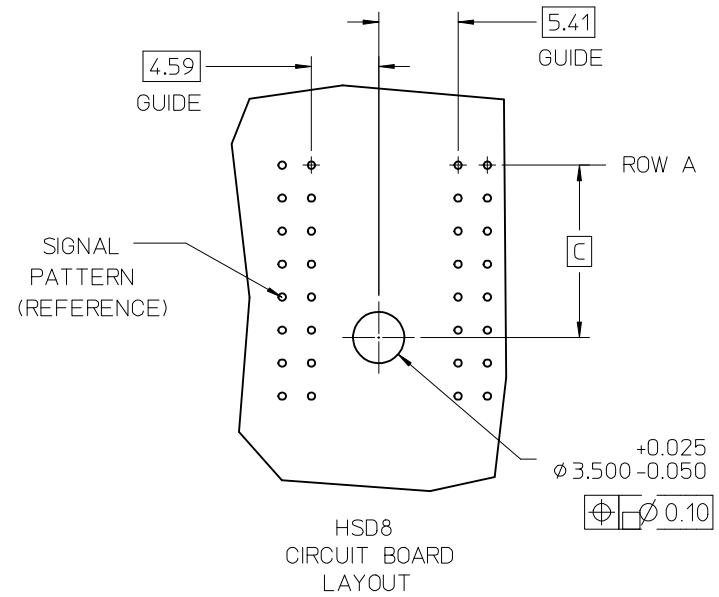
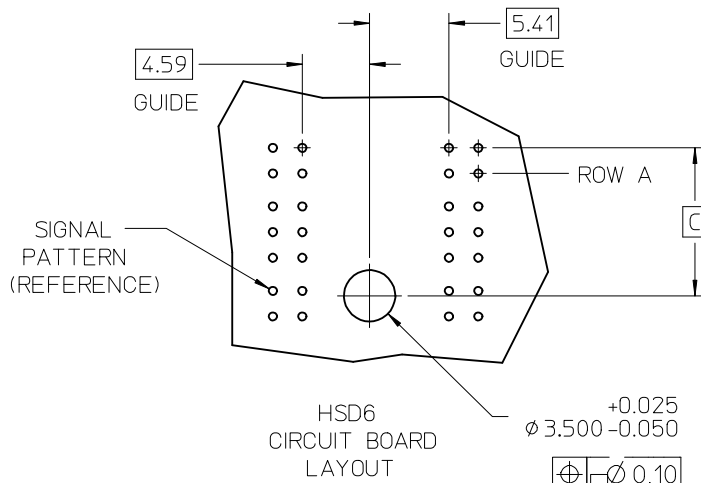
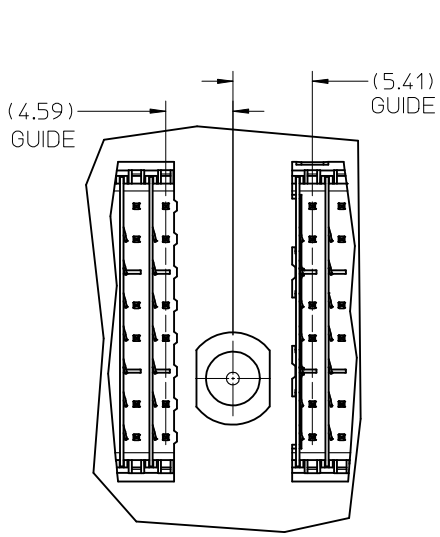


KIT NUMBER	DIM Z BOARD THICKNESS	DIM A
74076-0001	1.8-4.0	25.8
74076-0002	>4.0-9.00	25.8
74076-0005	1.8-4.0	19.9
74076-0006	>4.0-9.00	19.9

NOTES:
PACKAGING: STANDARD BULK PACK, 500 PER BAG
PACKAGE SCREWS AND GUIDE SEPARATE.

MATE WITH		DIM C
VHDM 6 ROW	GUIDE MODULE	9.96
	GROUND MODULE	9.26
	JOINER MODULE	9.26
VHDM 8 ROW	GUIDE MODULE	11.75
	GROUND MODULE	11.75
	JOINER MODULE	11.75

ADD PARTS EC NO: UCP2009-0672 DRWN: JB INGHAM 2008/09/18 CHKD: 2008/09/19 APPR: JLAURX 2008/09/19	QUALITY SYMBOLS ▽=0 ▽=0	GENERAL TOLERANCES (UNLESS SPECIFIED)		DIMENSION STYLE MM ONLY		SCALE ---	DESIGN UNITS METRIC	THIRD ANGLE PROJECTION	
		4 PLACES ± --- ± --- 3 PLACES ± --- ± --- 2 PLACES ± 0.10 ± --- 1 PLACE ± 0.15 ± ---	mm INCH	DRAWN BY MWANG	DATE 2000/03/17	TITLE VHDM BACKPLANE FREE STANDING GUIDE PIN OPEN ENDS SALES DRAWING			
		ANGULAR ± 3 °		CHECKED BY JLAURX	DATE 2000/03/20	MOLEX INCORPORATED			
		DRAFT WHERE APPLICABLE MUST REMAIN WITHIN DIMENSIONS		APPROVED BY CBIXLER	DATE 2000/03/20	MATERIAL NO. SEE TABLE	DOCUMENT NO. SD-74076-002	SHEET NO. 1 OF 1	



KIT NUMBER	DIM Z BOARD THICKNESS	DIM A
74076-0001	1.8 - 4.0	25.8
74076-0002	>4.0 - 9.0	25.8
74076-0005	1.8 - 4.0	19.9
74076-0006	>4.0 - 9.0	19.9

MATE WITH		DIM C
HSD 6	GUIDE MODULE	10.09
	GROUND MODULE	9.39
	JOINER MODUEL	9.39
HSD 8	GUIDE MODULE	11.75
	GROUND MODULE	11.75
	JOINER MODULE	11.75

- NOTES:
1. PARTS TO BE BULK PACKED, 500 PER BAG.
2. SCREWS & GUIDE PINS PACKAGED SEPARATELY.

ADD PARTS	DESCRIPTION
EC NO: UCP2009-0672	
DRWN: JBINGHAM	
CHKD: 2008/09/19	
APPR: JLAURX	
2008/09/19	
REV	

QUALITY SYMBOLS	$\nabla=0$
	$\nabla=0$

GENERAL TOLERANCES (UNLESS SPECIFIED)	
mm	INCH
4 PLACES \pm ---	\pm ---
3 PLACES \pm ---	\pm ---
2 PLACES \pm 0.10	\pm ---
1 PLACE \pm 0.15	\pm ---
ANGULAR \pm ---	
DRAFT WHERE APPLICABLE MUST REMAIN WITHIN DIMENSIONS	

DIMENSION STYLE	
MM ONLY	
DRAWN BY	DATE
JBINGHAM	2007/03/28
CHECKED BY	DATE
SREED	2007/03/28
APPROVED BY	DATE
SREED	2007/03/28
MATERIAL NO.	
SEE CHART	
SIZE	B

SCALE	3:1	DESIGN UNITS	METRIC	THIRD ANGLE PROJECTION
HSD BACKPLANE FREE STANDING GUIDE PIN SALES DRAWING				
MOLEX INCORPORATED				
DOCUMENT NO.			SD-74076-005	
				SHEET NO. 1 OF 1
<small>THIS DRAWING CONTAINS INFORMATION THAT IS PROPRIETARY TO MOLEX INCORPORATED AND SHOULD NOT BE USED WITHOUT WRITTEN PERMISSION</small>				