

SHIELDED POWER INDUCTOR

ASPI-0703S



RoHS
Compliant



7.3 x 7.3 x 3.2mm

FEATURES:

- High saturation
- Magnetic shielding
- Very small footprint
- Flat-top for pick and place
- Low resistance to keep power loss minimum

APPLICATIONS:

- Palm-top and laptop
- LCD TV
- Power line DC to DC converters used in hard drive, notebook computer

STANDARD SPECIFICATIONS:

PARAMETERS

ABRACON P/N:	ASPI-0703S-xxx Series
Operating temperature:	-40°C to +85°C
Storage temperature:	under +25°C, Humidity <75% R.H.

Electrical Characteristics

Part Number ASPI-0703S-	L (μ H)	Tolerance %	R _{DC} (Ω) Max	I _{bc} (A)Max
100	10	M	0.072	1.68
120	12	M	0.098	1.52
150	15	M	0.130	1.33
180	18	M	0.140	1.20
220	22	M	0.190	1.07
270	27	M	0.210	0.96
330	33	M	0.240	0.91
390	39	M	0.320	0.77
470	47	M	0.360	0.76
560	56	M	0.470	0.68
680	68	M	0.520	0.61
820	82	M	0.690	0.57
101	100	M	0.790	0.50
121	120	M	0.890	0.49
151	150	M	1.270	0.43
181	180	M	1.450	0.39
221	220	M	1.650	0.35
271	270	M	2.310	0.32
331	330	M	2.620	0.28
391	390	M	2.940	0.26
471	470	M	4.180	0.24
561	560	M	4.670	0.22
681	680	M	5.730	0.19
821	820	M	6.540	0.18
102	1000	M	9.440	0.16

Note: Tolerance M=±20%
Inductance tested at 100KHz, 0.1VRMS

OPTIONS AND PART IDENTIFICATION:

(Left blank if standard)

ASPI - 0703S - □□□ M - □

Inductance Code
Please refer to the Table

Packaging
T | Tape & Reel

ABRACON IS
ISO 9001 / QS 9000
CERTIFIED



Visit www.abracon.com for Terms & Conditions of Sale **Revised: 10.02.09**
30332 Esperanza, Rancho Santa Margarita, California 92688
tel 949-546-8000 | fax 949-546-8001 | www.abracon.com

SHIELDED POWER INDUCTOR

ASPI-0703S

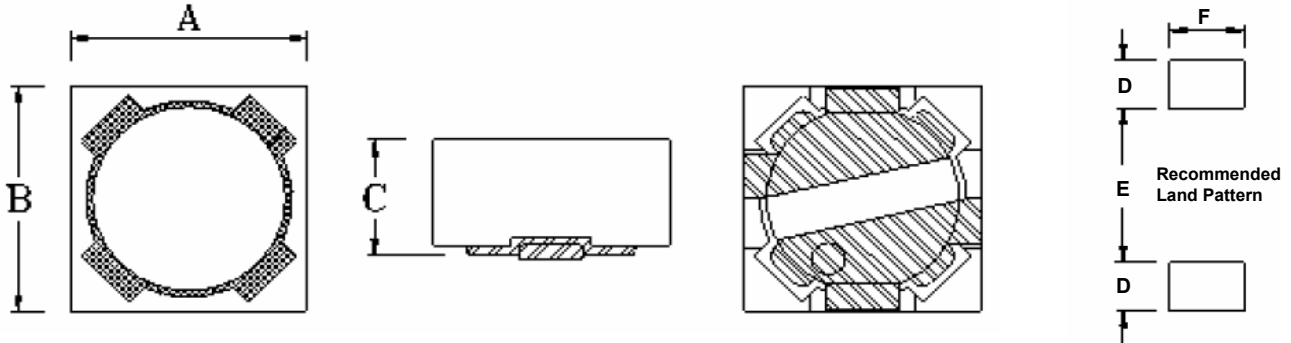


RoHS
Compliant



7.3 x 7.3 x 3.2mm

OUTLINE DRAWING:

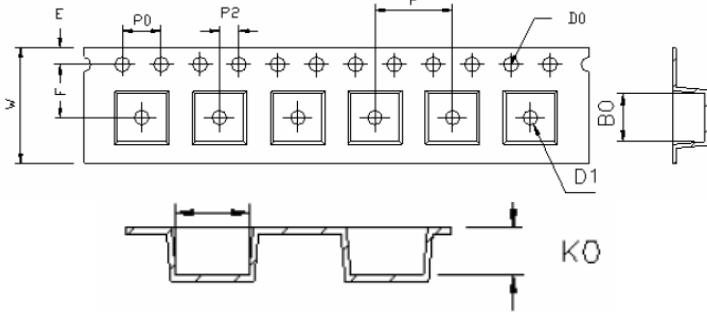


Part#	A	B	C
ASPI-0703S-xxx	0.287 ± 0.008 (7.3 ± 0.2)	0.287 ± 0.008 (7.3 ± 0.2)	0.126 ± 0.008 (3.2 ± 0.2)

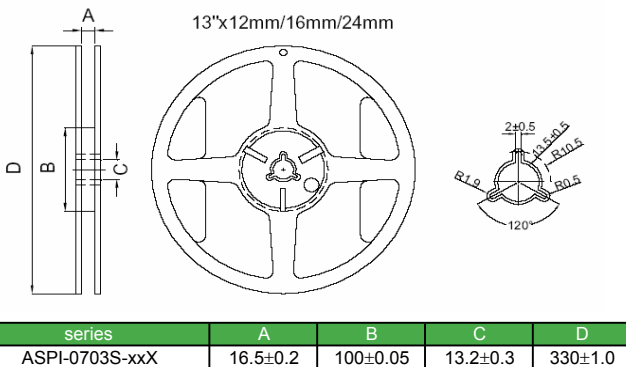
Part#	D	E	F
ASPI-0703S-xxx	0.059 ref. (1.5 ref.)	0.189 ref. (4.8 ref.)	0.087 ref. (2.2 ref.)

Dimensions: Inches (mm)

TAPE & REEL: Tape and reel 1,000pcs/reel

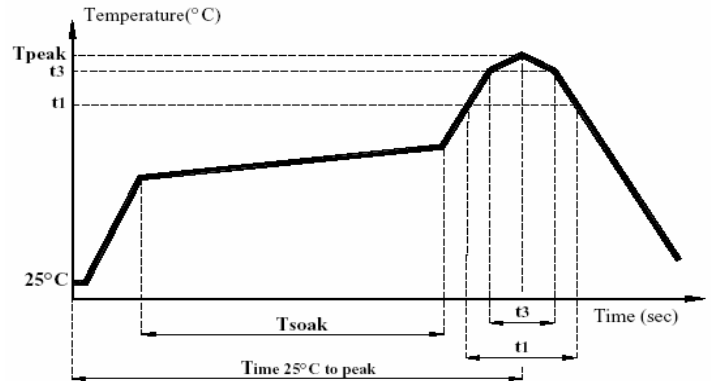


Part#	A0	B0	K0	P	P0	P2
ASPI-0703S-xxx	7.6 ± 0.1	7.6 ± 0.1	3.8 ± 0.1	12.0 ± 0.1	4.0 ± 0.1	2.0 ± 0.1
Part#	W	F	E	D0	D1	
ASPI-0703S-xxx	16 ± 0.3	7.5 ± 0.1	1.75 ± 0.1	1.5 min.	1.5 min.	



Dimensions: mm

REFLOW PROFILE:



Item	mark	products		Item	mark	products	
		size ≥ 350mm ² or thickness ≥ 2.5mm	size < 350mm ² or thickness < 2.5mm			size ≥ 350mm ² or thickness ≥ 2.5mm	size < 350mm ² or thickness < 2.5mm
Temperature rise gradient		3°C/sec (max)		Temperature rise gradient		3°C/sec (max)	
Heating time	Tsoak	50s ~ 150s		Heating time	Tsoak	50s ~ 150s	
Heating temperature		120°C ~ 180°C		Heating temperature		120°C ~ 180°C	
Time over 217°C	t1	70 sec	90 sec	Time over 217°C	t1	70 sec	90 sec
Time within 5°C of actual peak temperature	t3	10 ~ 30 sec	10 ~ 30 sec	Time within 5°C of actual peak temperature	t3	10 ~ 30 sec	10 ~ 30 sec
Peak temperature	Tpeak	250 (+0/-5°C)		Peak temperature	Tpeak	250 (+0/-5°C)	
Time 25°C to peak Temperature		6 minutes max.		Time 25°C to peak Temperature		6 minutes max.	

*The determination, first priority determines by the size, then determines the altitude.

*The determination, first priority determines by the size, then determines the altitude.

NOTE: Abracon manufactured products are intended for general commercial and industrial use. For applications requiring high reliability and/or presenting extreme operating environment, written consent & authorization from Abracon is required.

ABRACON IS
ISO 9001 / QS 9000
CERTIFIED



Visit www.abracon.com for Terms & Conditions of Sale **Revised: 10.02.09**
30332 Esperanza, Rancho Santa Margarita, California 92688
tel 949-546-8000 | fax 949-546-8001 | www.abracon.com