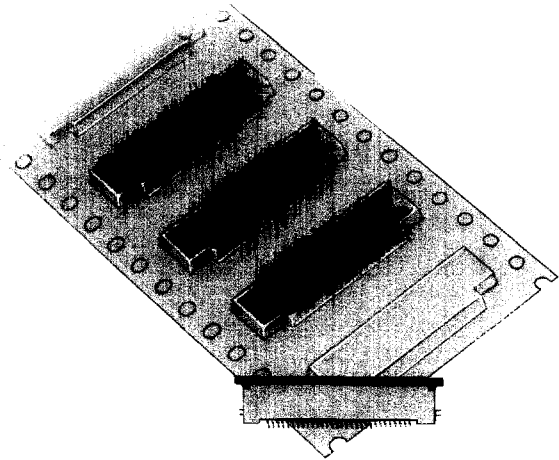


FPC CONNECTORS

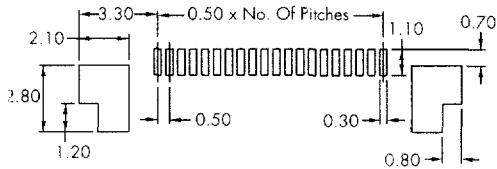
0.5mm Pitch

This is a range of 0.5mm pitch top and bottom contact FPC connectors for use with flexible printed circuits or continuous flat conductor planar cable.

- Zero insertion force, surface mount design.
- Actuator cover
- Metal solder down tabs.
- Tape and reel packaging.

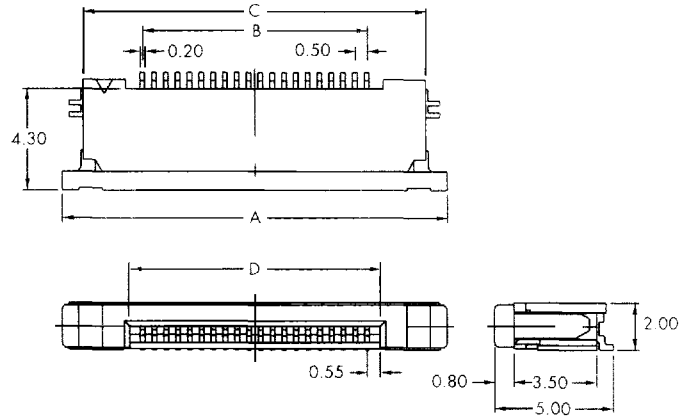
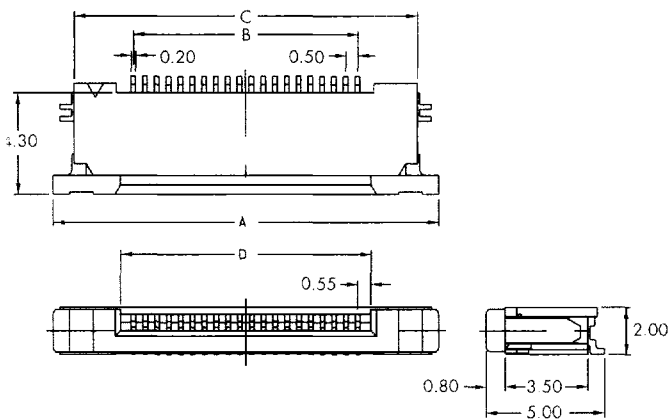
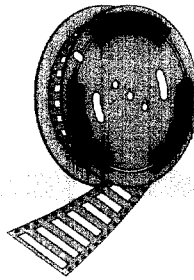


Recommended PC Board Pattern



TOP CONTACT

BOTTOM CONTACT



No. of Ways	A	B	C	D	Order Code	Tin	No. of Ways	A	B	C	D	Order Code	Tin
6	9.3	2.5	7.5	3.6	F05-4000606		6	9.3	2.5	7.5	3.6	F05-4100606	
16	14.3	7.5	12.5	8.6	F05-4001606		16	14.3	7.5	12.5	8.6	F05-4101606	
20	16.3	9.5	14.5	10.6	F05-4002006		20	16.3	9.5	14.5	10.6	F05-4102006	
24	18.3	11.5	16.5	12.6	F05-4002406		24	18.3	11.5	16.5	12.6	F05-4102406	
26	19.3	12.5	17.5	13.6	F05-4002606		26	19.3	12.5	17.5	13.6	F05-4102606	
28	20.3	13.5	18.5	14.6	F05-4002806		28	20.3	13.5	18.5	14.6	F05-4102806	
30	21.3	14.5	19.5	15.6	F05-4003006		30	21.3	14.5	19.5	15.6	F05-4103006	