

# Customer Information Sheet

DRAWING No.: M22-208XXXX

SHEET 2 OF 2

IF IN DOUBT - ASK

(C)

NOT TO SCALE

THIRD ANGLE PROJECTION

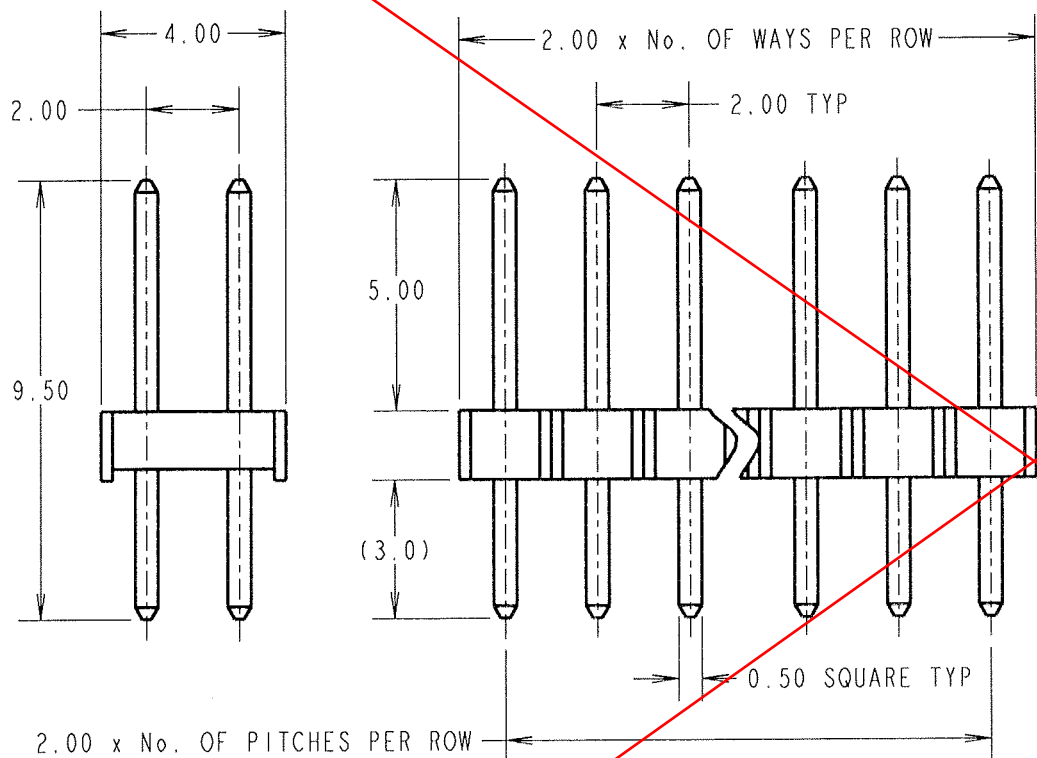
ALL DIMENSIONS IN mm

ORDER CODE:

**M22-208XXXX**

No. OF WAYS PER ROW  
02-50

FINISH  
05 - GOLD  
06 - TIN



**SPECIFICATIONS:**

**MATERIAL:**  
 MOULDING = NYLON 6T, UL94V-0, BLACK  
 CONTACTS = PHOSPHOR BRONZE

**FINISH:**  
 05 = GOLD  
 06 = TIN

**ELECTRICAL:**  
 CURRENT RATING = 1A  
 VOLTAGE PROOF = 650V AC  
 CONTACT RESISTANCE (INITIAL) = 15 mΩ MAX (GOLD), 20 mΩ MAX (TIN)  
 CONTACT RESISTANCE (AFTER CONDITIONING) = 20 mΩ MAX (GOLD), 30 mΩ MAX (TIN)  
 INSULATION RESISTANCE (INITIAL) = 1,000 MΩ MIN  
 INSULATION RESISTANCE (AFTER CONDITIONING) = 100 MΩ MIN

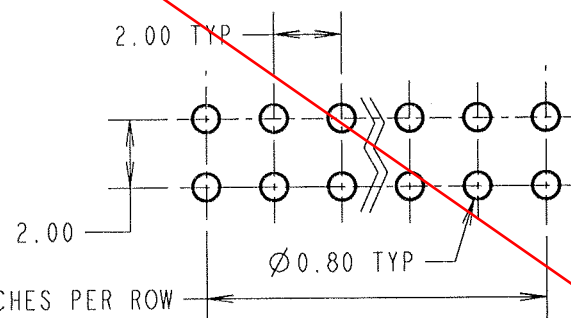
**MECHANICAL:**  
 DURABILITY = 300 OPERATIONS (GOLD), 50 OPERATIONS (TIN)  
 INSERTION FORCE = 2N MAX  
 WITHDRAWAL FORCE = 0.3N MIN

**ENVIRONMENTAL:**  
 TEMPERATURE RANGE = -55°C TO +105°C

**PACKING:**  
 BAG

FOR COMPLETE SPECIFICATION, SEE COMPONENT SPECIFICATION C018XX (LATEST ISSUE)

RECOMMENDED PCB LAYOUT



**OBSOLETE**

**NOTES:**

1. ALL TOLERANCES ARE ±0.20 UNLESS OTHERWISE STATED.

2.00 x No. OF PITCHES PER ROW

JAE	4	03.11.03	7705
NAME	ISS.	DATE	C/NOTE
APPROVED: <i>WJB</i>			
CHECKED: <i>M. J. B. C.</i>			
DRAWN: I. SANDY			
CUSTOMER REF.:			
ASSEMBLY DRG:			

**HARWIN**

THIS DRAWING AND ANY INFORMATION OR DESCRIPTIVE MATTER SET OUT HEREON ARE CONFIDENTIAL AND COPYRIGHT PROPERTY OF THE HARWIN GROUP AND MUST NOT BE DISCLOSED, LOANED, COPIED OR USED FOR MANUFACTURING, TENDERING OR FOR ANY OTHER PURPOSE WITHOUT THEIR WRITTEN PERMISSION.

**TOLERANCES**  
~~X. = ±1mm~~  
~~X.X = ±0.25mm~~  
~~X.XX = ±0.10mm~~  
~~X.XXX = ±0.01mm~~  
 ANGLES = ±5°  
 UNLESS STATED

**MATERIAL:**

SEE ABOVE

**FINISH:**

SEE ABOVE

**S/AREA:**

mm<sup>2</sup>

**TITLE:**

2.00mm PITCH DIL VERTICAL PIN HEADER ASSEMBLY

**DRAWING NUMBER:**

**M22-208XXXX**

SHT  
2 OF 2

HARWIN INC  
U.S.A.

HARWIN PLC  
U.K.

HARWIN PTE  
SINGAPORE

TEL: (812) 542 2540  
FAX: (812) 542 2541

TEL: 023 9231 4545  
FAX: 023 9231 4590

TEL: 65 6779 4909  
FAX: 65 6779 3868