

Features

- Precision supply-voltage monitor
 - 4.63V (PT7A7511, 7521, 7531)
 - 4.38V (PT7A7512, 7522, 7532)
 - 3.08V (PT7A7513, 7523, 7533)
 - 2.93V (PT7A7514, 7524, 7534)
 - 2.63V (PT7A7515, 7525, 7535)
- 200ms reset pulse width
- Debounced TTL/CMOS-compatible manual-reset input
- Independent watchdog timer 1.6sec time-out (not available for PT7A7531 - 7535)
- Reset output signal:
 - Active-low only (PT7A7511 - 7515)
 - Active-high only (PT7A7521 - 7525)
 - Active-high and active-low (PT7A7531 - 7535)
- Voltage monitor for power-fail or low battery warning
- Guaranteed $\overline{\text{RESET}}/\text{RESET}$ valid at $V_{CC}=1.2V$

Description

The PT7A751X/752X/753X family microprocessor (μP) supervisory circuits are targeted to improve reliability and accuracy of power-supply circuitry in μP's systems. These devices reduce the complexity and number of components required to monitor power-supply and battery functions.

The main functions are:

1. Asserting reset output during power-up, power-down and brownout conditions for μP system.
2. Detecting power failure or low-battery conditions with a 1.25V threshold detector.
3. Watchdog functions (not for PT7A753x)

Applications

- Power-supply circuitry in μP systems

Ordering Information

Part Number	Package	Part Number	Package
PT7A751xPE	Lead free DIP-8	PT7A751xWE	Lead free and Green SOIC-8
PT7A752xPE	Lead free DIP-8	PT7A752xWE	Lead free and Green SOIC-8
PT7A753xPE	Lead free DIP-8	PT7A753xWE	Lead free and Green SOIC-8

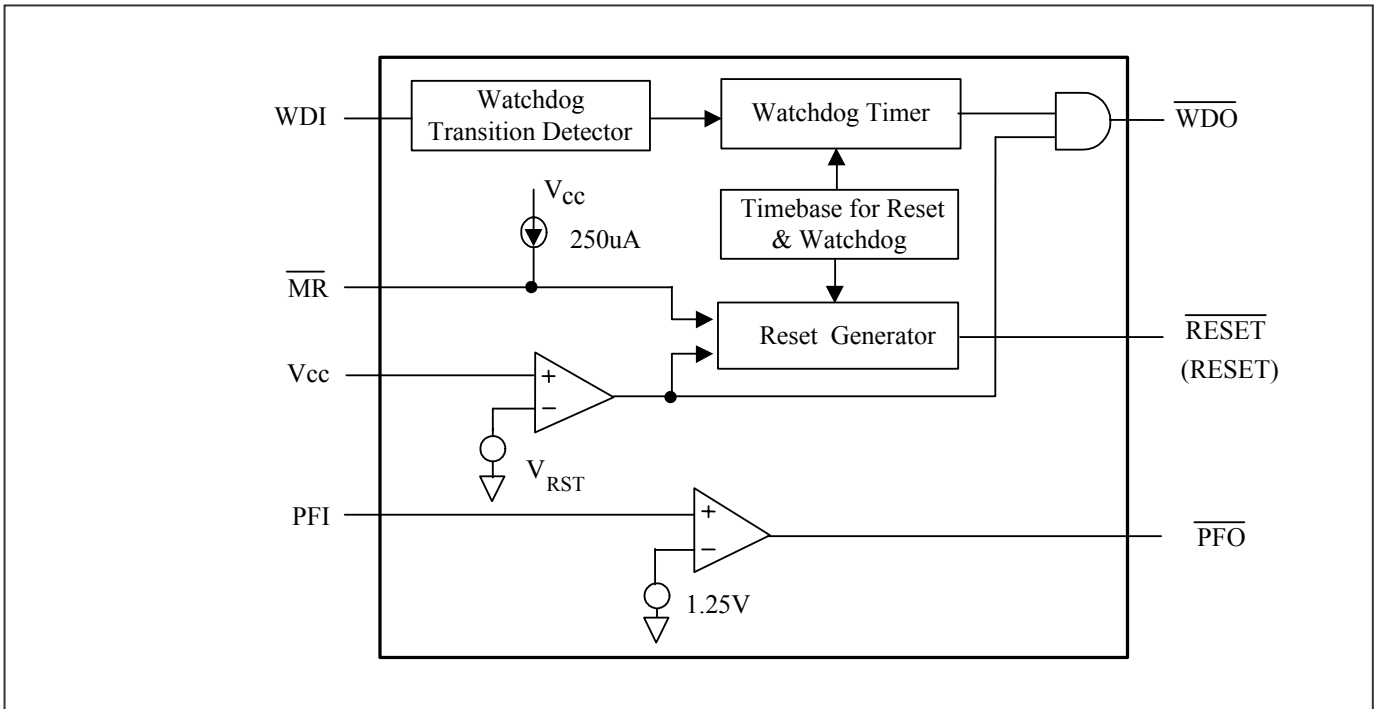
Note: "X" refers to voltage range, see below table.

Suffix: X—Monitored Voltage and Function Comparison

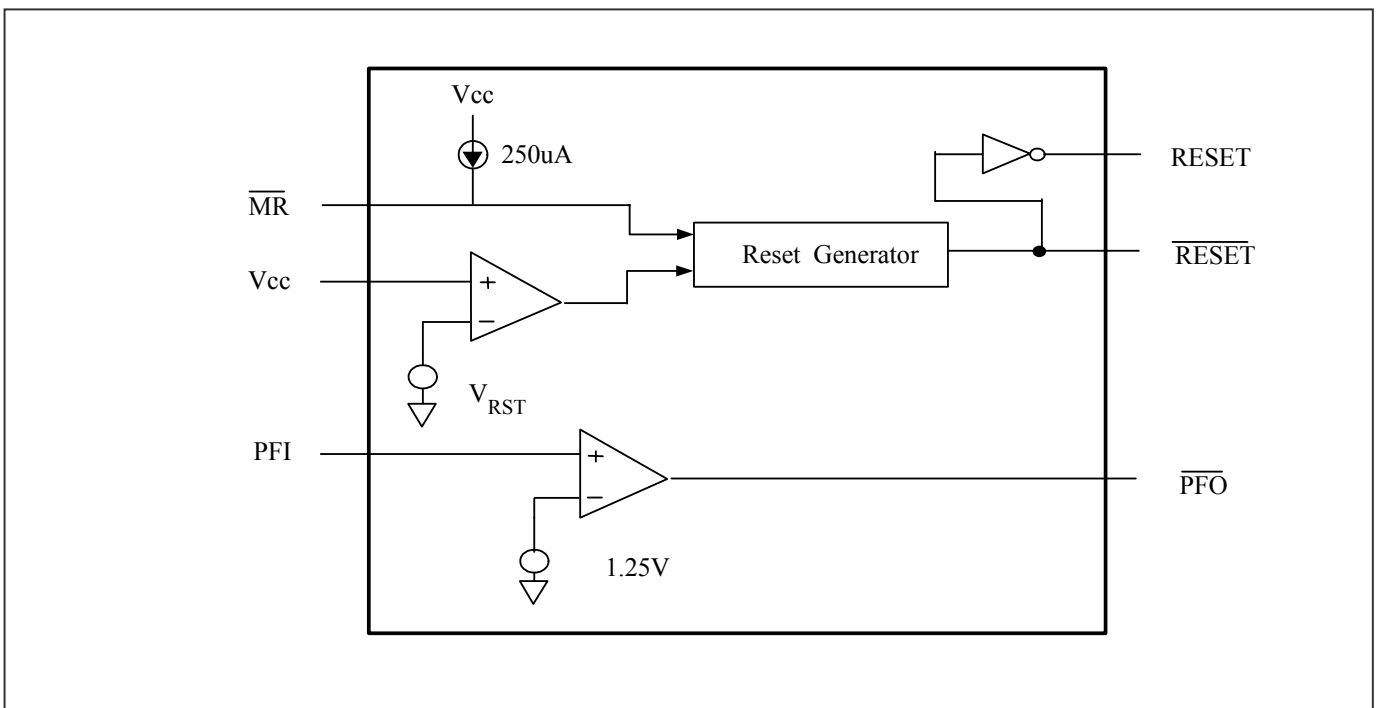
Part No.	Reset Threshold	Reset Active Low or High	Nom. Reset Time (ms), t_{RS}	Nom. Watch dog Time (sec), t_{WD}	Power Fail Comp.	Manual Reset Input
PT7A7511	4.63V	LOW	200	1.6	1.25V detector	Yes
PT7A7521	4.63V	HIGH	200	1.6	1.25V detector	Yes
PT7A7531	4.63V	LOW, HIGH	200	unavailable	1.25V detector	Yes
PT7A7512	4.38V	LOW	200	1.6	1.25V detector	Yes
PT7A7522	4.38V	HIGH	200	1.6	1.25V detector	Yes
PT7A7532	4.38V	LOW, HIGH	200	unavailable	1.25V detector	Yes
PT7A7513	3.08V	LOW	200	1.6	1.25V detector	Yes
PT7A7523	3.08V	HIGH	200	1.6	1.25V detector	Yes
PT7A7533	3.08V	LOW, HIGH	200	unavailable	1.25V detector	Yes
PT7A7514	2.93V	LOW	200	1.6	1.25V detector	Yes
PT7A7524	2.93V	HIGH	200	1.6	1.25V detector	Yes
PT7A7534	2.93V	LOW, HIGH	200	unavailable	1.25V detector	Yes
PT7A7515	2.63V	LOW	200	1.6	1.25V detector	Yes
PT7A7525	2.63V	HIGH	200	1.6	1.25V detector	Yes
PT7A7535	2.63V	LOW, HIGH	200	unavailable	1.25V detector	Yes

Block Diagram

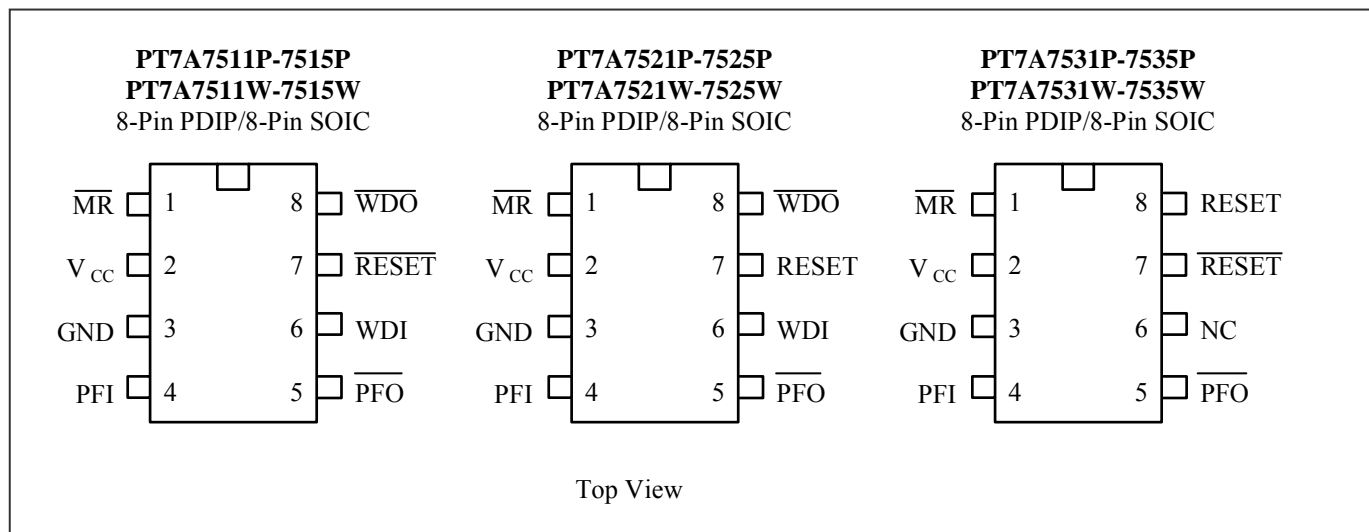
Block Diagram of PT7A7511-7515/7521-7525



Block Diagram of PT7A7531-35



Pin Configuration



Pin Description

Pin	Type	Description
$\overline{\text{MR}}$	I	Manual-Reset: triggers a reset pulse when pulled below 0.8V, active low. It has an internal 250mA pull-up current and be driven from a TTL or CMOS logic line as well as shorted to ground with a switch.
V_{CC}	Power	Supply Voltage.
GND	Ground	Ground Reference for all signals.
PFI	I	Power-Fail Voltage Monitor Input. When PFI is less than 1.25V, PFO goes low. Connect PFI to GND or Vcc when not used.
$\overline{\text{PFO}}$	O	Power-Fail Output: it gets low and sinks current when PFI is less than 1.25V; otherwise $\overline{\text{PFO}}$ stays high.
WDI	I	Watchdog Input: If WDI remains high or low for 1.6sec, the internal watchdog timer runs out and $\overline{\text{WDO}}$ goes low. Floating WDI or connecting WDI to a high-impedance three-state buffer disables the watchdog feature. The internal watchdog timer clears whenever reset is asserted. WDI is three-stated, or WDI sees a rising or falling edge.
$\overline{\text{RESET}}$	O	Reset Output pulses: low for 200ms when triggered, and stays low whenever Vcc is below the reset threshold. It remains low for 200ms after Vcc rises above the reset threshold or $\overline{\text{MR}}$ goes from low to high. A watchdog timeout will not trigger $\overline{\text{RESET}}$ unless WDO is connected to MR.
$\overline{\text{WDO}}$	O	Watchdog Output: pulls low when the internal watchdog timer finishes its 1.6sec count and does not go high again until the watchdog is cleared. WDO also goes low during low-line conditions. Whenever Vcc is below the reset threshold, WDO stays low; however, unlike $\overline{\text{RESET}}$, WDO does not have minimum pulse width. As soon as Vcc rises above the reset threshold, WDO goes high with no delay.
RESET	O	The inverse of $\overline{\text{RESET}}$, active high. Whenever $\overline{\text{RESET}}$ is high, RESET is low.

Functional Description

The PT75xx family can assert reset output during power-up, power-down and brownout conditions for μ P system, detect power failure or low-battery conditions with a 1.25V threshold detector and have watchdog functions. Refer to Function Table of PT7A75xx Family for their individual features. The typical application see Figure 4.

Reset Output

The supervisory circuits can assert reset for a microprocessor during power-up, power-down and brownout to prevent code execution errors.

On power-up, once V_{CC} reaches about 1.2V, $\overline{\text{RESET}}$ is a guaranteed logic low of 0.4V or less. As V_{CC} rises, $\overline{\text{RESET}}$ stays low. When V_{CC} rises above the reset threshold, an internal timer releases $\overline{\text{RESET}}$ after about 200ms. $\overline{\text{RESET}}$ pulses low whenever V_{CC} drops below the reset threshold, i.e. brownout condition. If brownout occurs in the middle of a previously initiated reset pulse, the pulse continues for at least another 140ms. On power-down, once V_{CC} falls below the reset threshold, $\overline{\text{RESET}}$ stays low and is guaranteed to be 0.4V or less until V_{CC} drops below 1.0V.

The PT7A752x and PT7A753x active-high RESET output is simply the inverse of the $\overline{\text{RESET}}$ output, and is guaranteed to be valid with V_{CC} down to 1.2V. Some μ Ps, such as Intel's 80C51, require an active-high reset pulse.

Watchdog Timer

The watchdog circuit monitors the μ P activity. If the μ P does not toggle the watchdog input (WDI) within 1.6sec and WDI is not in high impedance, $\overline{\text{WDO}}$ goes low. As long as $\overline{\text{RESET}}$ is asserted or the WDI input is in high impedance, the watchdog timer will stay cleared and will not count. As soon as reset is released and WDI is driven high or low, the timer will start counting. Pulses as short as 50ns can be detected.

Typically, $\overline{\text{WDO}}$ will be connected to the non-maskable interrupt input (NMI) of a μ P. When V_{CC} drops below the reset threshold, $\overline{\text{WDO}}$ will go low whether or not the watchdog timer has timed out yet. Normally this would trigger an NMI interrupt, but $\overline{\text{RESET}}$ goes low simultaneously, and thus overrides the NMI interrupt. If WDI is left unconnected, $\overline{\text{WDO}}$ can be used as a low-line output. Since floating WDI disables the internal timer, $\overline{\text{WDO}}$ goes low only when V_{CC} falls below the reset threshold, thus functioning as a low-line output.

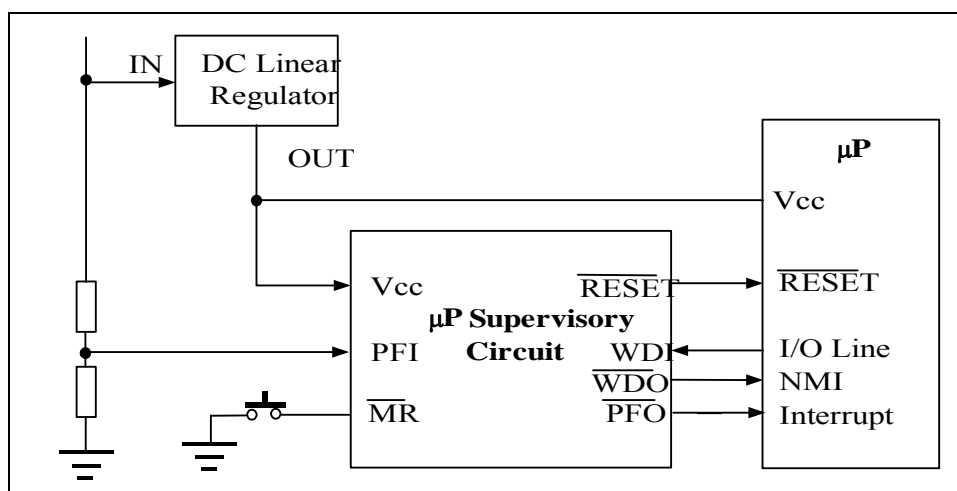
Manual Reset

The manual-reset input ($\overline{\text{MR}}$) allows reset to be triggered by a push button switch. The switch is effectively debounced by the 140ms minimum reset pulse width. $\overline{\text{MR}}$ is TTL/CMOS logic compatible, so it can be driven by any logic reset output.

Power-Fail Comparator

The power-fail comparator will send out a Low signal once detects a voltage lowered than 1.25V. It can be used for various purposes because its output and non-inverting input are not internally connected. The inverting input is internally connected to a 1.25V reference..

Typical Application Circuit



Maximum Ratings

Storage Temperature	-65°C to +150°C
Ambient Temperature with Power Applied.....	-40°C to +85°C
Supply Voltage to Ground Potential (Vcc to GND)	-0.3V to +7.0V
DC Input Voltage (All inputs except Vcc and GND).....	-0.3V to V _{CC} +0.3V
DC Output Current (All outputs)	20mA
Power Dissipation	500mW (Depend on package)

Note:

Stresses greater than those listed under MAXIMUM RATINGS may cause permanent damage to the device. This is a stress rating only and functional operation of the device at these or any other conditions above those indicated in the operational sections of this specification is not implied. Exposure to absolute maximum rating conditions for extended periods may affect reliability.

Recommended Operation Conditions

Sym	Description	Test Conditions	Min	Typ	Max	Unit
V _{CC}	Supply Voltage for 75x1,75x2	-	4.5	5.0	5.5	V
	Supply Voltage for 75x3,75x4	-	3.0	3.3	5.5	V
	Supply Voltage for 75x5		2.7	3.0	5.5	
V _{IH1}	$\overline{\text{MR}}$ Input High Voltage	V _{CC} > 4.0V	2.0	2.4	-	V
		V _{CC} ≤ 4.0V	0.7V _{CC}	-	-	V
V _{IH2}	WDI Input High Voltage	-	0.7V _{CC}	-	-	V
V _{IL1}	$\overline{\text{MR}}$ Input Low Voltage	V _{CC} > 4.0V	-	-	0.8	V
		V _{CC} ≤ 4.0V	-	-	0.2V _{CC}	V
V _{IL2}	WDI Input Low Voltage	-	-	-	0.3V _{CC}	V
T _A	Operating Temperature	-	-40	-	85	

DC Electrical Characteristics

($V_{CC} = V_{RN} + 5\%$ to 5.5V, $T_A = -40\sim 85^\circ\text{C}$, unless otherwise noted.)(Note 1)

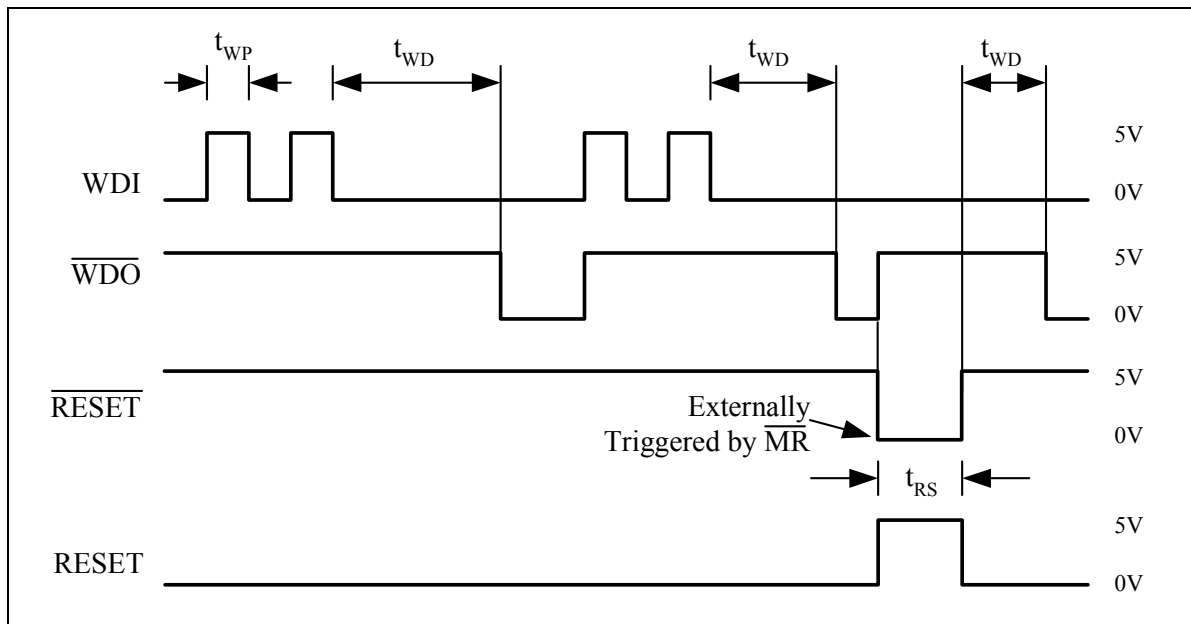
Symbol	Description	Test Conditions	Min	Typ	Max	Unit
I_{CC}	Supply Current	75x1/x2 $V_{CC} = 5V$, 75x3/x4 $V_{CC} = 3.3V$, 75x5 $V_{CC} = 3.0V$, Left WDI un- connected (No output load)	-	30	200	μA
V_{IH}	Input High Voltage	Pin: $\overline{\text{MR}}$, WDI	$0.7V_{CC}$	-	-	V
V_{IL}	Input Low Voltage	Pin: $\overline{\text{MR}}$, WDI	-	-	$0.3V_{CC}$	V
V_{RST}	Reset Threshold Voltage (Note 2)	$T_A = 25^\circ\text{C}$	$V_{RN} - 1.5\%$	V_{RN}	$V_{RN} + 1.5\%$	V
		75x1	4.560	4.630	4.699	
		75x2	4.314	4.380	4.446	
		75x3	3.034	3.080	3.126	
		75x4	2.886	2.930	2.974	
		75x5	2.590	2.630	2.669	
V_{RTH+}	Reset Threshold Voltage (Note 2)	V_{CC} Varies between $V_{RN} - 5\%$	-	70	-	mV
V_{OH}	Output High Voltage	$V_{CC} \geq 4.5V$ $I_{source} = 800\mu\text{A}$	$V_{CC} - 1.5$	-	-	V
		$V_{CC} \geq 2.7V$ $I_{source} = 500\mu\text{A}$	$0.8 \times V_{CC}$	-	-	
		$V_{CC} \geq 1.8V$ $I_{source} = 150\mu\text{A}$	$0.8 \times V_{CC}$	-	-	
V_{OL}	Output Low Voltage	$V_{CC} \geq 4.5V$ $I_{sink} = 3.2\text{mA}$	-	-	0.4	V
		$V_{CC} \geq 2.7V$ $I_{sink} = 1.2\text{mA}$	-	-	0.3	
		$V_{CC} \geq 1.2V$ $I_{sink} = 100\mu\text{A}$	-	-	0.3	
V_{PFI}	PFI Input Threshold	V_{PFI} varies from 1.0V to 1.5V	1.23	1.25	1.27	V
		V_{PFI} varies from 0V to 1.0V	1.20	1.25	1.30	
I_{PFI}	PFI Input Current	PFI connected to V_{CC}	-	-	2.00	μA
		PFI connected to GND	-2.00	-	-	
I_{WDI}	Average WDI Input Current (Note 3)	WDI connected to V_{CC}	-	30	100	μA
		WDI connected to GND	-100	-30	-	
I_{MR}	$\overline{\text{MR}}$ input Current	$\overline{\text{MR}} = 0$, $V_{CC} = 5V$	-600	-250	-100	μA

- Note:** 1. Parameters of room temperature guaranteed by production test and parameters of full-temperature guaranteed by design.
2. Valid for both $\overline{\text{RESET}}$ and RESET. V_{RST} is the Reset threshold voltage when V_{CC} from high to low level, V_{RN} is nominal reset threshold voltage.
3. WDI is internally serviced within the watchdog period if WDI is left unconnected.

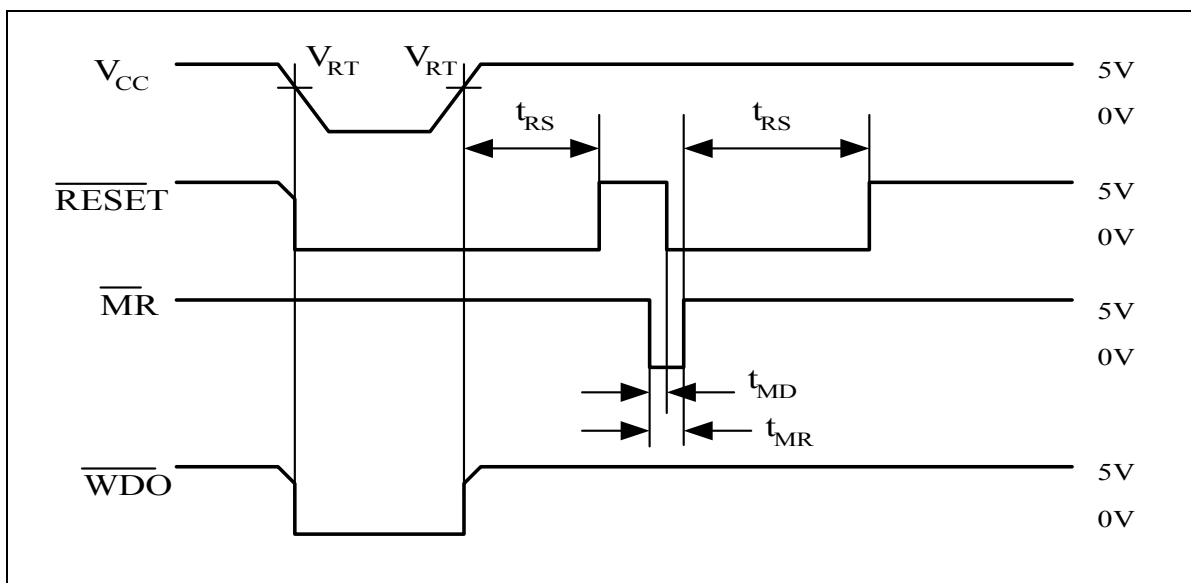
AC Electrical Characteristics

Symbol	Description	Test Conditions	Min	Typ	Max	Unit
t_{RS}	Reset Pulse Width	\overline{MR} from low to High, $T_A=25$	160	200	280	ms
t_{WD}	Watchdog Timeout Period	WDI, \overline{MR} tied to V_{CC} , $V_{CC} > V_{RN} + 5\%$, $T_A=25$	1.2	1.6	2.25	s
t_{MR}	\overline{MR} Pulse Width	-	200	-	-	ns
t_{MD}	\overline{MR} to RESET Delay	$V_{CC}=5V$	-	-	250	ns
t_{WP}	WDI Pulse Width	-	150	-	-	ns

Watchdog Timing Diagram

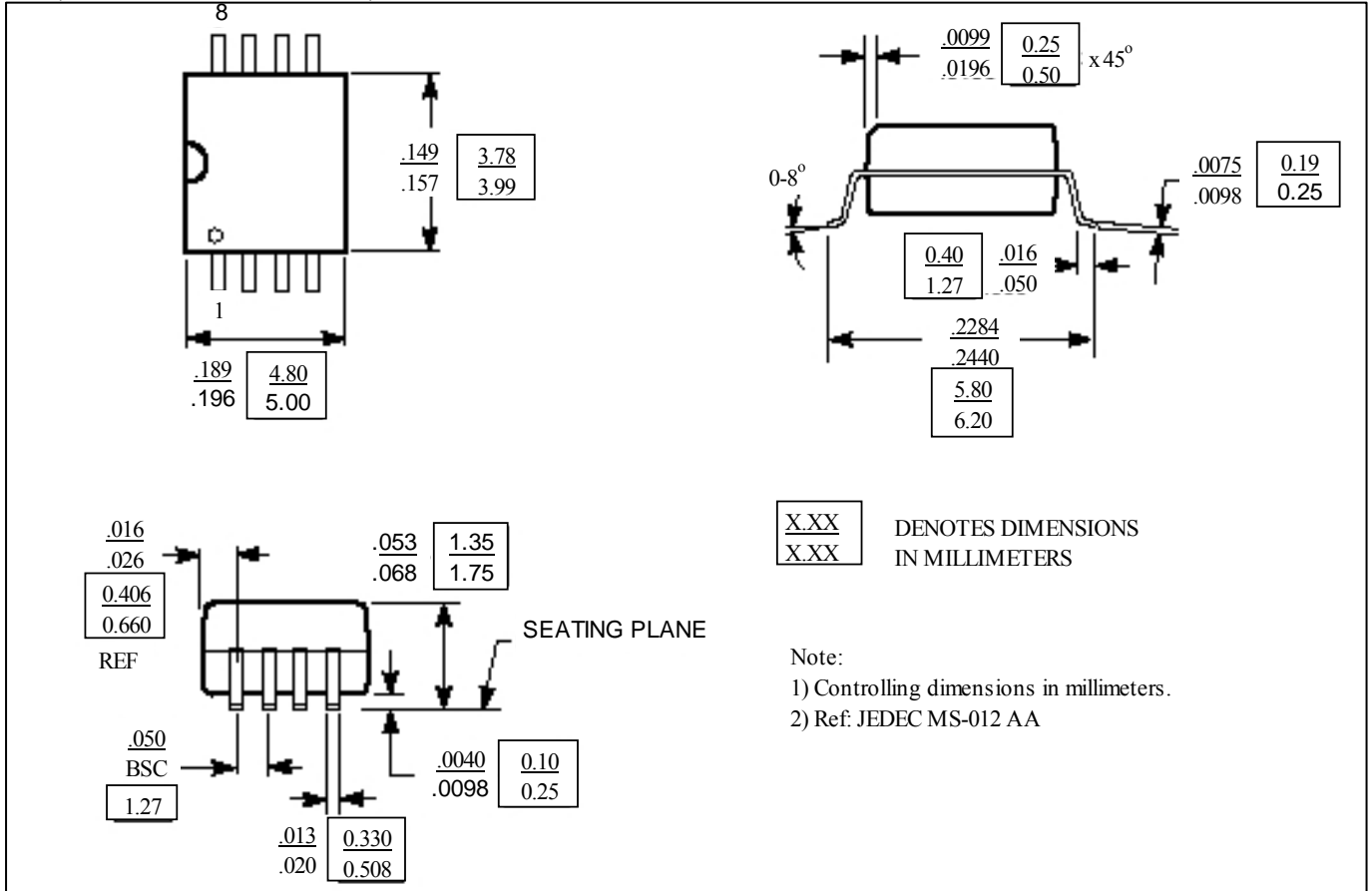


Watchdog Timing Diagram

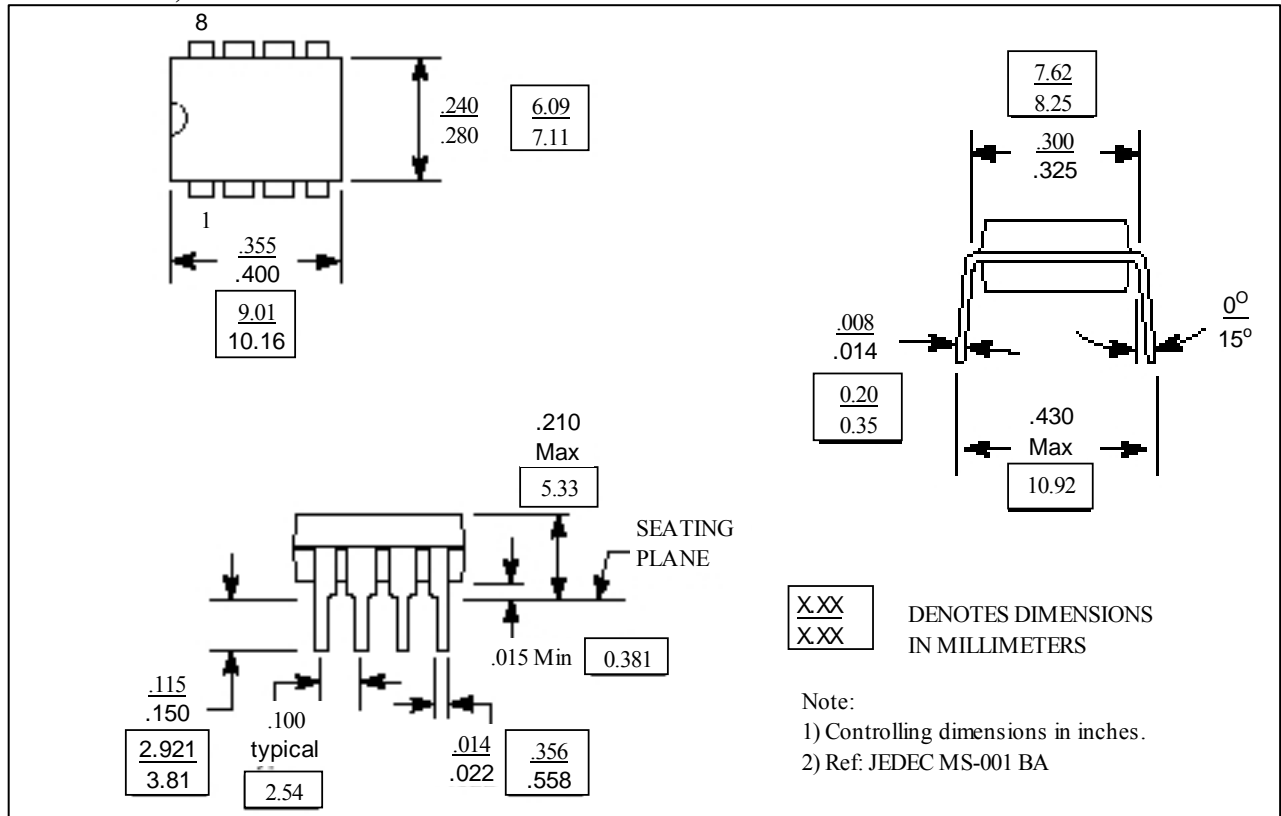


Mechanical Information

WE (Lead free and Green SOIC-8)



PE (Lead free DIP-8)



Notes

Pericom Technology Inc.

Email: support@pti.com.cn Web Site: www.pti.com.cn, www.pti-ic.com

China: No. 20 Building, 3/F, 481 Guiping Road, Shanghai, 200233, China
Tel: (86)-21-6485 0576 Fax: (86)-21-6485 2181

Asia Pacific: Unit 1517, 15/F, Chevalier Commercial Centre, 8 Wang Hoi Rd, Kowloon Bay, Hongkong
Tel: (852)-2243 3660 Fax: (852)- 2243 3667

U.S.A.: 3545 North First Street, San Jose, California 95134, USA
Tel: (1)-408-435 0800 Fax: (1)-408-435 1100

Pericom Technology Incorporation reserves the right to make changes to its products or specifications at any time, without notice, in order to improve design or performance and to supply the best possible product. Pericom Technology does not assume any responsibility for use of any circuitry described other than the circuitry embodied in Pericom Technology product. The company makes no representations that circuitry described herein is free from patent infringement or other rights, of Pericom Technology Incorporation.