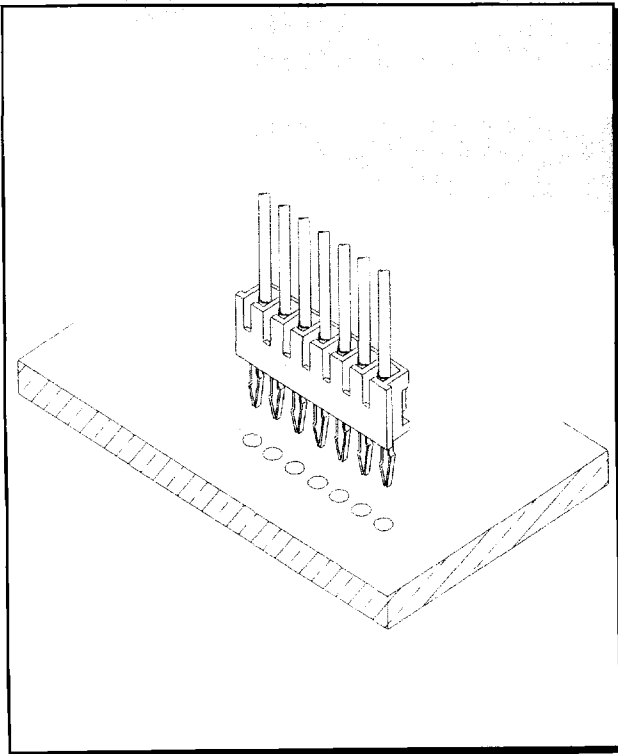


Features

- ◆ 2012 Housing:
 - Available in 2 through 20 circuits
 - Low profile
 - Use with 1.57mm(.062") thick P.C.B.
 - Nylon 6/6 UL94V-0
 - Accepts Leoco 2012T crimp type board in terminal
- ◆ 2012 Terminal:
 - Compliant tip holds terminal to P.C.B.
 - Directly soldered on P.C.B.
 - Use in Leoco 2012 connector



Specifications

- ◆ Current rating: 3A AC,DC
- ◆ Voltage rating: 250V AC,DC
- ◆ Temperature rating: -40°C ~ +105°C
- ◆ Contact resistance:
 - Initial: 20mΩ max.
 - After environmental test: 40mΩ max.
- ◆ Insulation resistance:
 - Initial: 1,000MΩ min.
 - After humidity and thermal shock test: 500MΩ min.
- ◆ Withstanding voltage: 1,000V AC /minute
- ◆ Applicable wire: AWG 24 to 30
- ◆ Applicable PC board thickness: 1.6mm

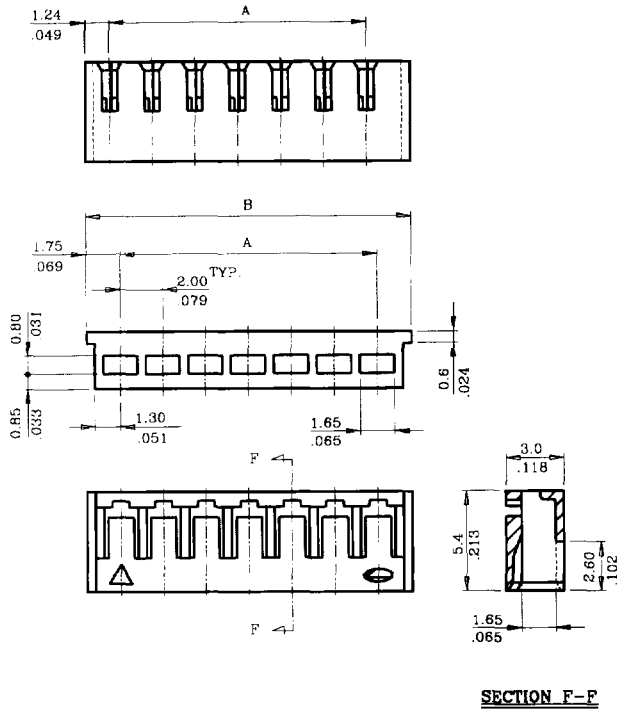
Standards

Recognized No. E82349

2012 Series 2.00mm(.079") Board In Connector



Unit : $\frac{mm}{inch}$



Dimensional & Ordering Information:

Circuits	Part No.	Dimension	
		A	B
2	2012S020000	2.00(.079)	5.50(.217)
3	2012S030000	4.00(.157)	7.50(.295)
4	2012S040000	6.00(.236)	9.50(.374)
5	2012S050000	8.00(.315)	11.50(.453)
6	2012S060000	10.00(.394)	13.50(.531)
7	2012S070000	12.00(.472)	15.50(.610)
8	2012S080000	14.00(.551)	17.50(.689)
9	2012S090000	16.00(.630)	19.50(.768)
10	2012S100000	18.00(.709)	21.50(.846)
11	2012S110000	20.00(.787)	23.50(.925)
12	2012S120000	22.00(.866)	25.50(1.004)
13	2012S130000	24.00(.945)	27.50(1.083)
14	2012S140000	26.00(1.024)	29.50(1.161)
15	2012S150000	28.00(1.102)	31.50(1.240)
16	2012S160000	30.00(1.181)	33.50(1.319)
17	2012S170000	32.00(1.260)	35.50(1.398)
18	2012S180000	34.00(1.339)	37.50(1.476)
19	2012S190000	36.00(1.417)	39.50(1.555)
20	2012S200000	38.00(1.496)	41.50(1.634)

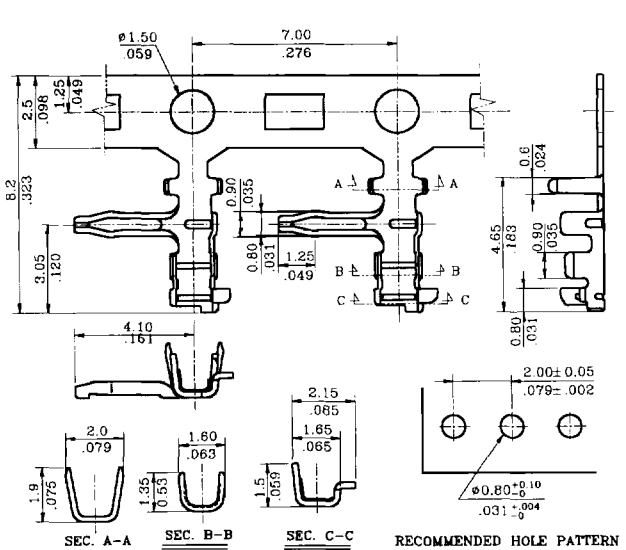
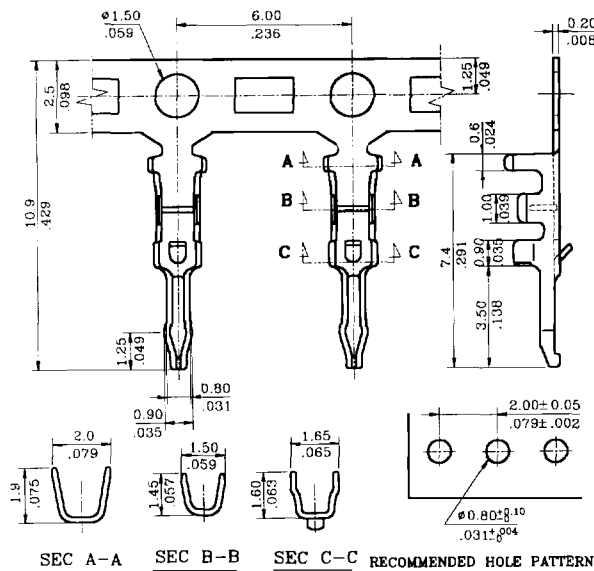
2012 Series 2.00mm(.079") Board In Terminal



2012TCB0V0A

2012TPB0H0A

Unit : $\frac{mm}{inch}$



Specifications & Ordering Information:

Part No.	Wire Ranges	Insulation Diameter	Reel Q'ty	Tooling
2012TCB0V0A	AWG 24 ~ 30	1.60 (.083) MAX.	10,000PCS	CCD-2012R01
2012TPB0H0A	AWG 24 ~ 30	1.60 (.083) MAX.	10,000PCS	CCD-2012R01