

BAND IV/V CIRCULATORS

2 kW

Preferred application: UHF television

TYPE	DIMENSIONS Fig.	FREQUENCY RANGE MHz	MAXIMUM POWER	
			CW W	PEAK W
2722 162 03991	1	433 to 435	2000	2000
2722 162 01771	1	470 to 600	2000	2000
01791		600 to 800		
01781		590 to 720		
01801		710 to 860		
2722 162 01261	2	470 to 600	2000	2000
01331		600 to 800		
01281		590 to 720		
01271		710 to 860		

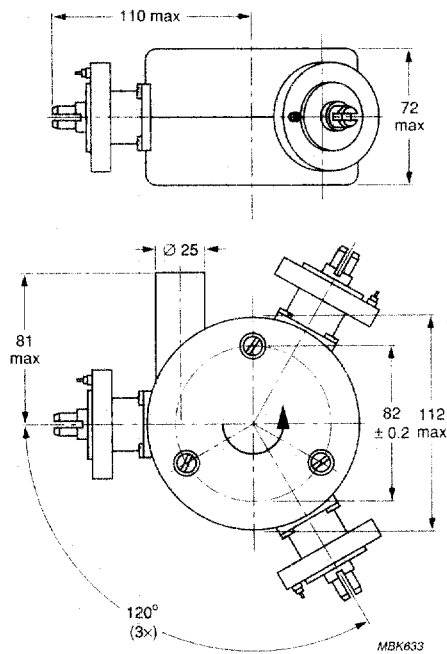


Fig.1

BAND IV/V CIRCULATORS 2 kW

TYPE	ISOLATION		INSERTION LOSS		VSWR		TEMP. RANGE °C	CONNECTOR	MASS g
	MIN. dB	TYP. dB	MAX. dB	TYP. dB	MAX.	TYP.			
2722 162 03991	20	24	0,4	0,3	1,25	1,15	0 to 40 ⁽¹⁾	EIA 7/8"	2700
2722 162 01771 01791 01781 01801	20	24	0,35	0,25	1,25	1,15	-10 to +40 ⁽¹⁾	EIA 7/8"	2700
2722 162 01261 01331 01281 01271	22 20 20 22	24 24 26 26	0,35	0,25	1,2 1,25 1,25 1,2	1,15	-10 to +40 ⁽¹⁾	HF 7/16 female	2200

Note

1. With (filtered) air cooling, at 250 Pa pressure drop; 40 °C inlet temperature, max. permissible temperature of the connectors +55 °C.

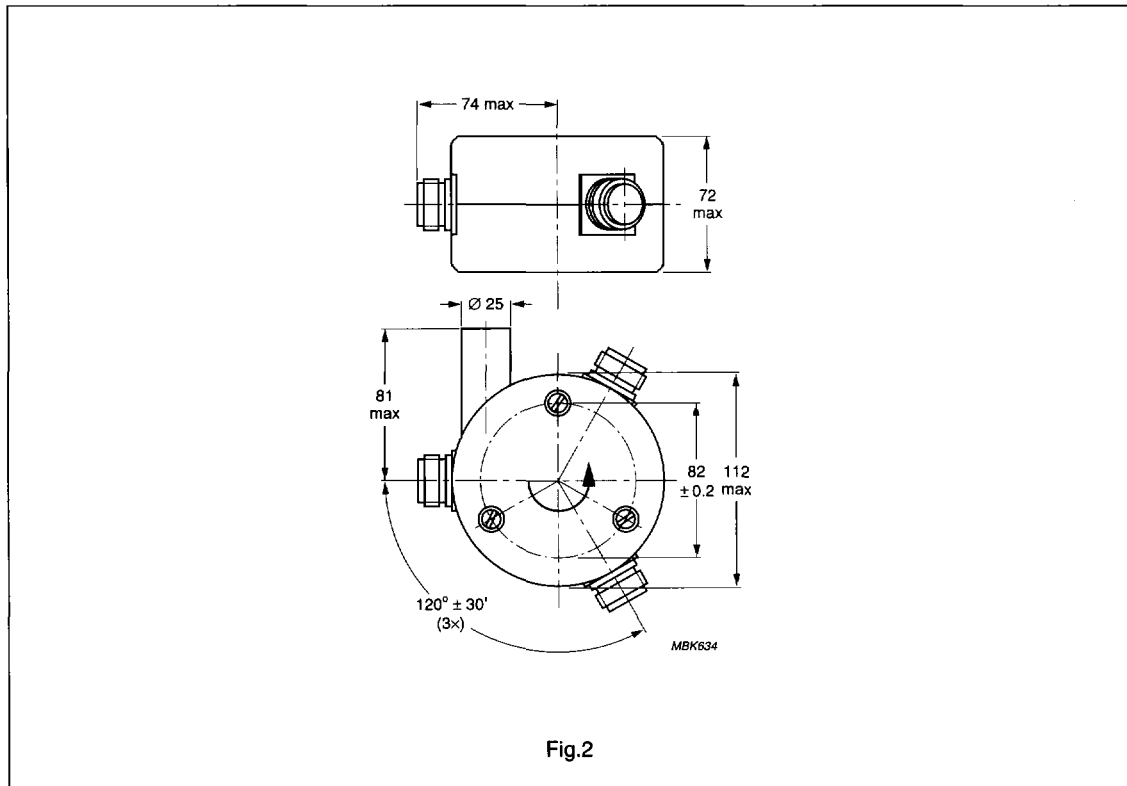


Fig.2