

BOARD-TO-BOARD CONNECTOR

Ordering Information

PCR-()LFDK

① ② ③ ④

- ① Series Prefix
- ② Number of Contacts: 20, 34, 48, 68, 96, 128
- ③ Shape of Connector Terminal
 - MD : Straight dip type male
 - FD : Straight dip type female
 - LMD : Right angle dip type male
 - LFD : Right angle dip type female
- ④ Terminal Shape of Dipping Section (or with lock pin)
 - Blank : Straight
 - K : Kinked
 - T : With lock pin (only with right angle dip type)

Live Line Connection Type

Ordering Information

PCR-()LMD K 01

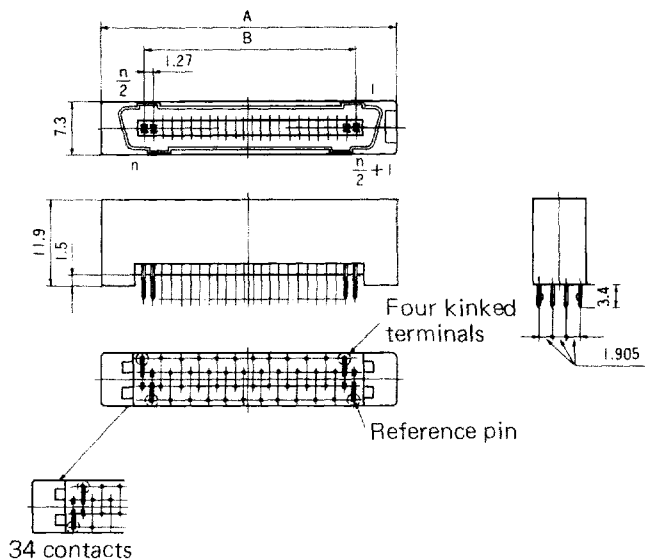
① ② ③ ④ ⑤

- ① Series Prefix
- ② Number of Contacts: 20, 34, 48, 68, 96, 128
- ③ Shape of Connector Terminal
 - MD : Straight dip type male
 - LMD : Right angle dip type female
- ④ Terminal Shape of Dipping Section (or with lock pin)
 - Blank : Straight
 - K : Kinked
 - T : With lock pin (only with right angle dip type)
- ⑤ Specification of live line connecting position
(01, 02, 03)
Serial number

For the panel mounting hole size and mounting size, please refer to pages 4 and 5.

Straight Dip Type Male Connector PCR-()MDK

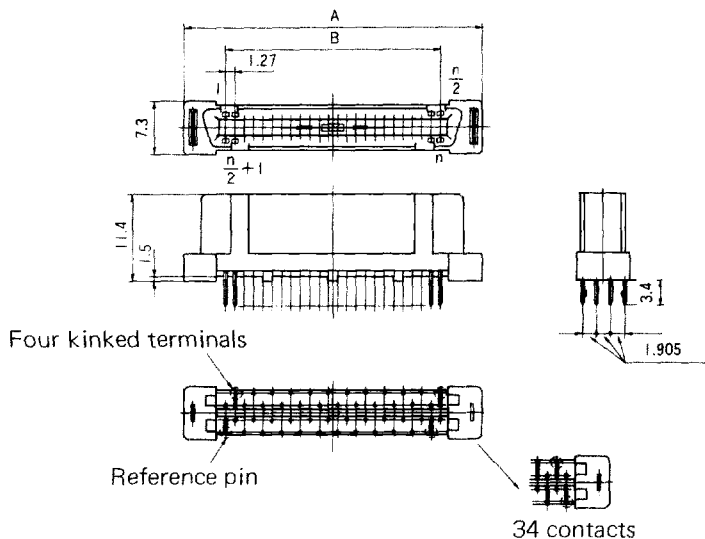
(This live line connection type is identical in shape.)



No. of contacts	A	B
20	22.74	11.43
34	31.63	20.32
48	40.52	29.21
68	53.22	41.91
96	71.00	59.69
* 128	91.32	80.01

* marked with * are in the planning stage.

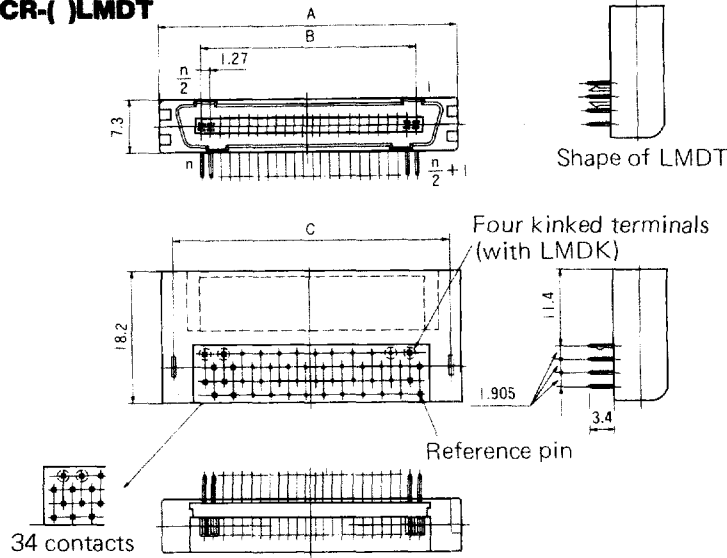
Straight Dip Type Female Connector PCR-()FDK



No. of contacts	A	B
20	22.74	11.43
34	31.63	20.32
48	40.52	29.21
68	53.22	41.91
96	71.00	59.69
128	91.32	80.01

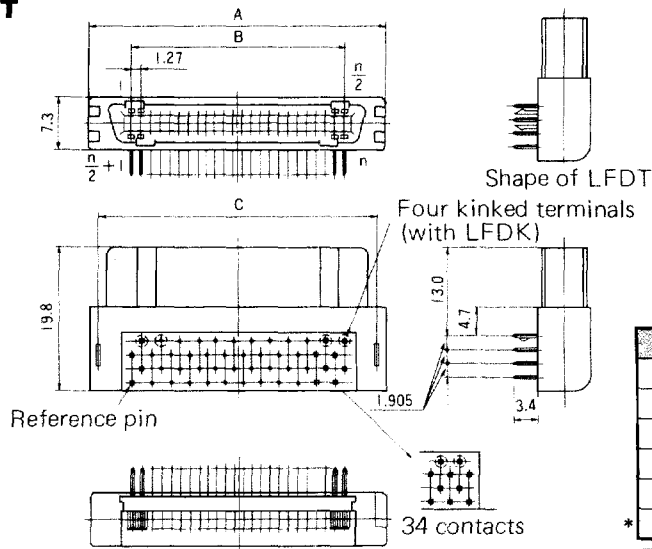
**Right Angle Dip Type Male Connector
PCR-()LMDK, PCR-()LMDT**

(The live line connection type is identical in shape.)



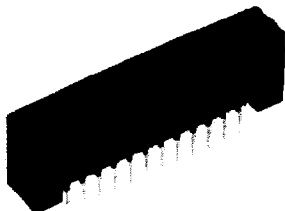
No. of Contacts	A	B	C
20	22.74	11.43	20.32
34	31.63	20.32	29.21
48	40.52	29.21	38.10
68	53.22	41.91	50.80
96	71.00	59.69	68.58
128	91.32	80.01	88.90

**Right Angle Dip Type Female Connector
PCR-()LFDK, PCR-()LFDT**

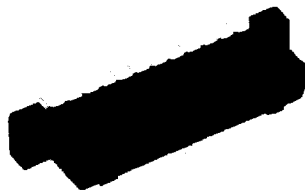


No. of Contacts	A	B	C
20	22.74	11.43	20.32
34	31.63	20.32	29.21
48	40.52	29.21	38.10
68	53.22	41.91	50.80
96	71.00	59.69	68.58
* 128	91.32	80.01	88.90

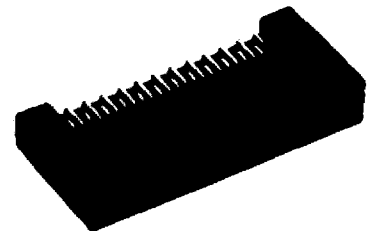
* marked with * are in the planning stage.



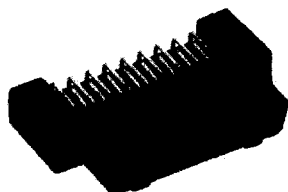
PCR-48MDK



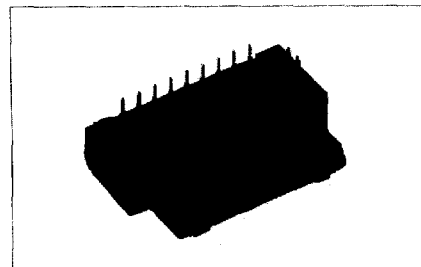
PCR-48FDK



PCR-48LMDK



PCR-34LFDK



With lock pin