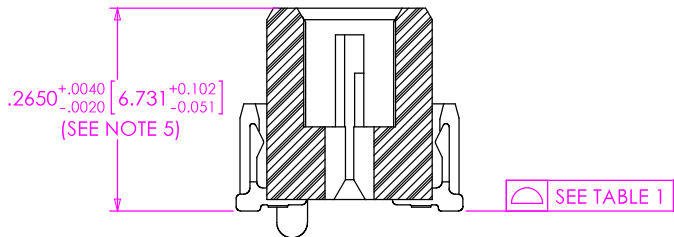
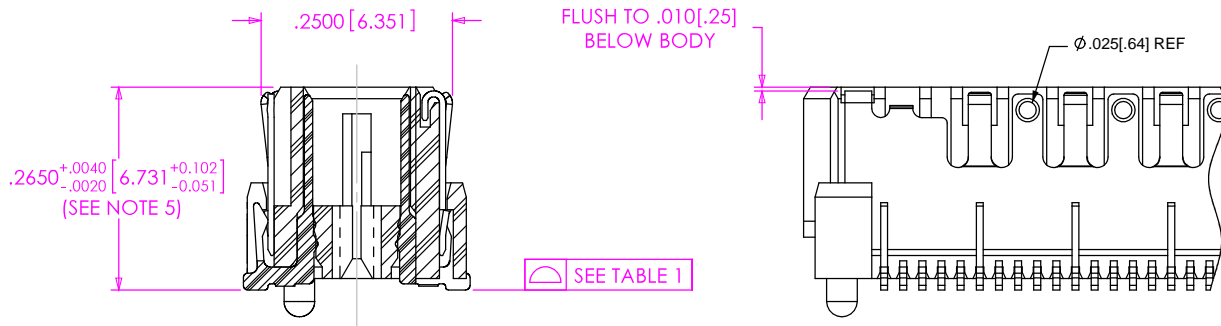




IN-PROCESS 1



IN-PROCESS 2



TERMINAL DETAILS

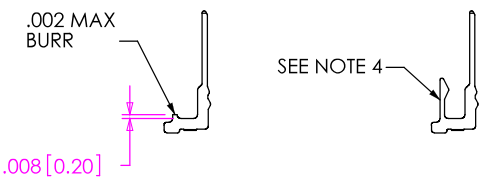


FIG. 3

-GP: GUIDE POST OPTION  
(QMSS-052-11-X-D-A-GP SHOWN)

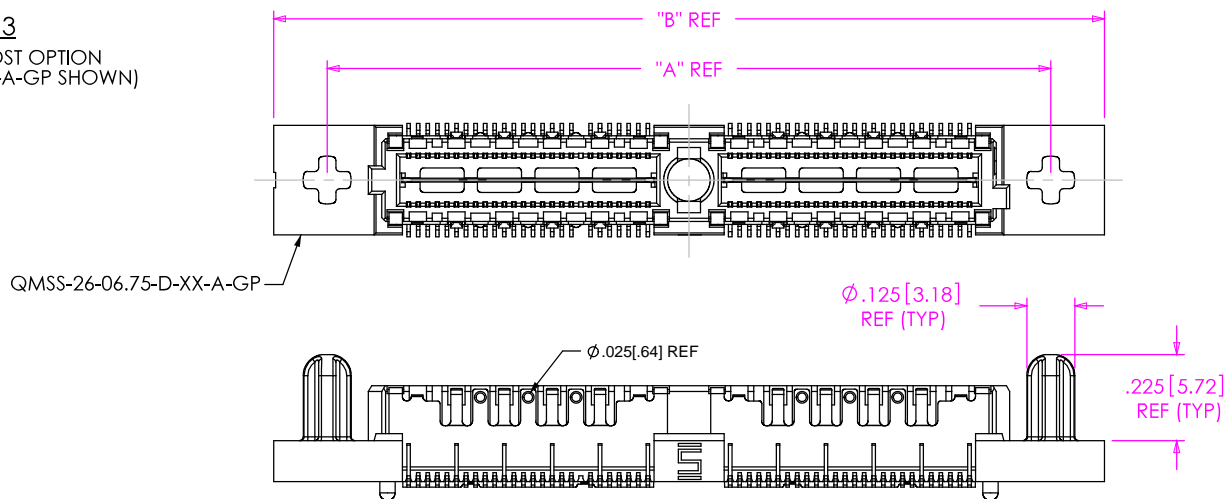


FIG. 2

-K: KAPTON PAD OPTION (USE K-500-300)  
(QMSS-052-11-X-D-A-K SHOWN)

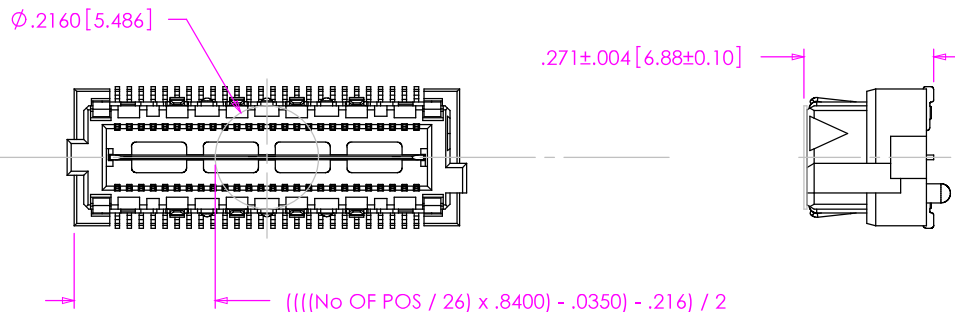


TABLE 2

ASSEMBLY	"A"	"B"
QMSS-026-11-X-D-GP	1.050[26.67]	1.330[33.78]
QMSS-052-11-X-D-GP	1.890[48.00]	2.170[55.12]
QMSS-078-11-X-D-GP	2.730[69.34]	3.010[76.45]
QMSS-104-11-X-D-GP	3.570[90.68]	3.850[97.79]
QMSS-130-11-X-D-GP	4.410[112.01]	4.690[119.13]

PROPRIETARY NOTE

THIS DOCUMENT CONTAINS INFORMATION CONFIDENTIAL AND PROPRIETARY TO SAMTEC, INC. AND SHALL NOT BE REPRODUCED OR TRANSFERRED TO OTHER DOCUMENTS OR DISCLOSED TO OTHERS OR USED FOR ANY PURPOSE OTHER THAN THAT WHICH IT WAS OBTAINED WITHOUT THE EXPRESSED WRITTEN CONSENT OF SAMTEC, INC.

DO NOT SCALE DRAWING

SHEET SCALE: 2.5:1



520 PARK EAST BLVD, NEW ALBANY, IN 47150  
PHONE: 812-944-6733 FAX: 812-948-5047  
e-Mail: info@SAMTEC.com code: 55322

DESCRIPTION:  
.635mm DOUBLE ROW SHIELDED TERMINAL STRIP

DWG. NO.  
QMSS-XXX-XX-X-D-X-XXX-XX

BY: CHAD F 05/23/2002 SHEET 2 OF 3

FIG. 5 -PCX OPTION  
 POWER COMBO OPTIONS  
 QMSS-052-11-X-D-PC4 SHOWN  
 (SAME AS FIG. 1, UNLESS OTHERWISE STATED)  
 [NOT AVAILABLE WITH -GP OPTION, AVAILABLE ON LEAD STYLE -11 ONLY]  
 [AVAILABLE ON -026, -052 & -078 POSITIONS ONLY]

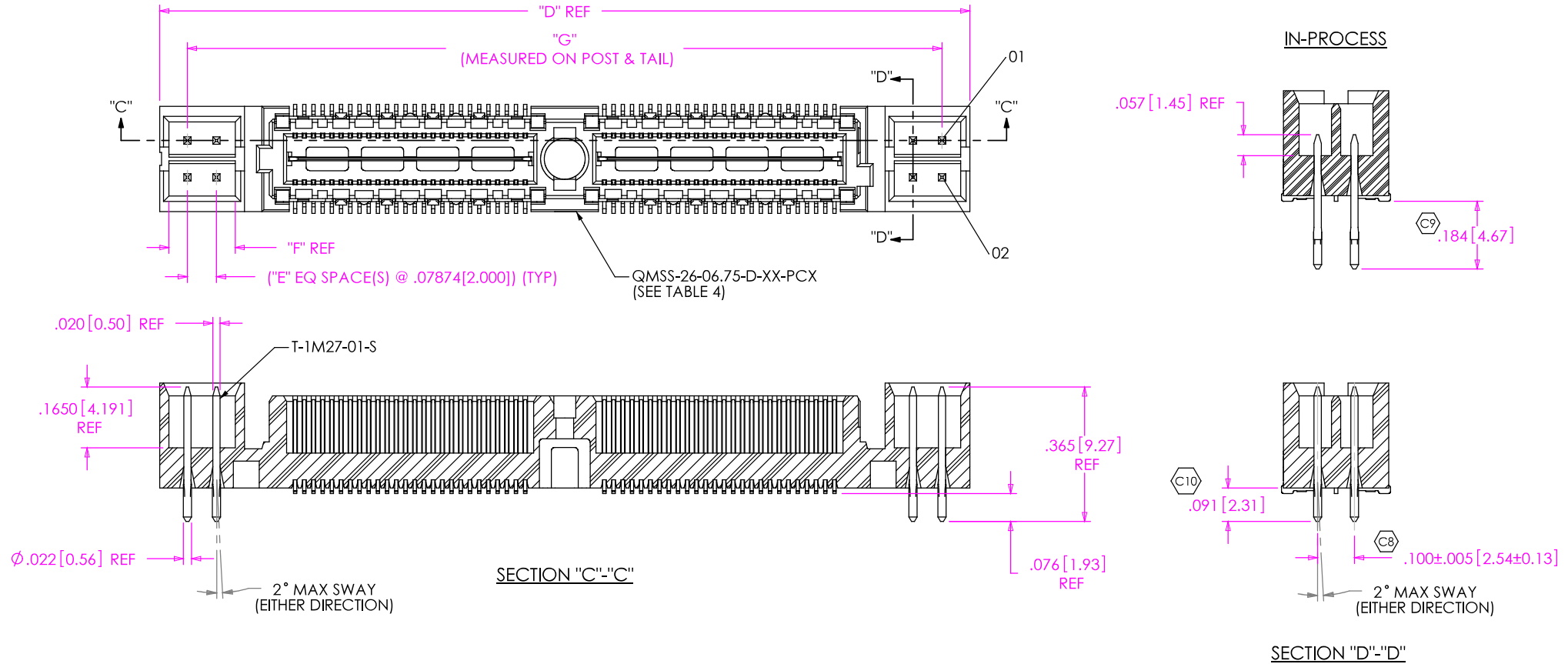


TABLE 4

ASSEMBLY	QMSS-26-06.75-D-XX-X-PCX	"D"	"E"	"F"	"G"
QMSS-026-11-X-D-X-PC4	QMSS-26-06.75-D-01-X-PC4	1.360[34.54]	1	.180[4.57]	1.209[30.71]
QMSS-026-11-X-D-X-PC8	QMSS-26-06.75-D-01-X-PC8	1.675[42.55]	3	.337[8.56]	1.524[38.71]
QMSS-052-11-X-D-X-PC4	QMSS-26-06.75-D-02-X-PC4	2.200[55.88]	1	.180[4.57]	2.049[52.04]
QMSS-052-11-X-D-X-PC8	QMSS-26-06.75-D-02-X-PC8	2.515[63.88]	3	.337[8.56]	2.364[60.05]
QMSS-078-11-X-D-X-PC4	QMSS-26-06.75-D-03-X-PC4	3.040[77.22]	1	.180[4.57]	2.889[73.38]
QMSS-078-11-X-D-X-PC8	QMSS-26-06.75-D-03-X-PC8	3.355[85.22]	3	.337[8.56]	3.204[81.38]

**PROPRIETARY NOTE**  
 THIS DOCUMENT CONTAINS INFORMATION CONFIDENTIAL AND PROPRIETARY TO SAMTEC, INC. AND SHALL NOT BE REPRODUCED OR TRANSFERRED TO OTHER DOCUMENTS OR DISCLOSED TO OTHERS OR USED FOR ANY PURPOSE OTHER THAN THAT WHICH IT WAS OBTAINED WITHOUT THE EXPRESSED WRITTEN CONSENT OF SAMTEC, INC.

DO NOT SCALE DRAWING

SHEET SCALE: 2.5:1



520 PARK EAST BLVD, NEW ALBANY, IN 47150  
 PHONE: 812-944-6733 FAX: 812-948-5047  
 e-Mail: info@SAMTEC.com code: 55322

DESCRIPTION:  
 .635mm DOUBLE ROW SHIELDED TERMINAL STRIP  
 DWG. NO.  
 QMSS-XXX-XX-X-D-X-XXX-XX  
 BY: CHAD F 05/23/2002 SHEET 3 OF 3