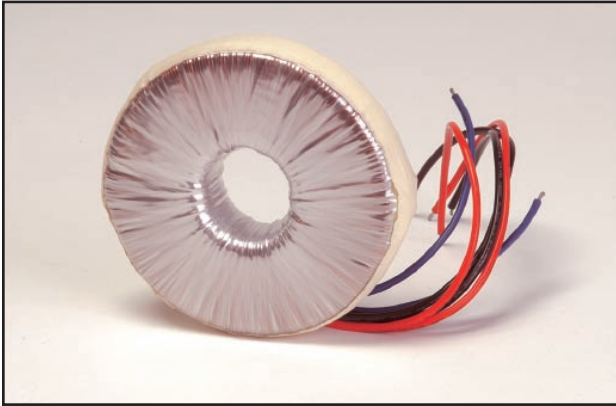


Signal Toroidal Power Transformers

Power in the Round 100 VA to 2000 VA



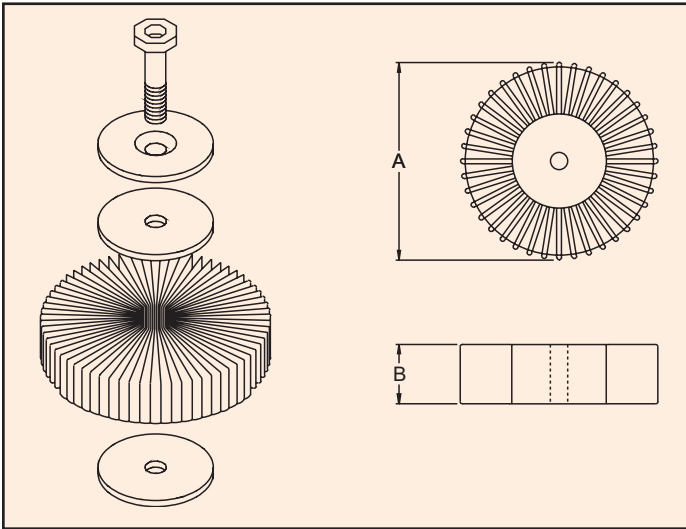
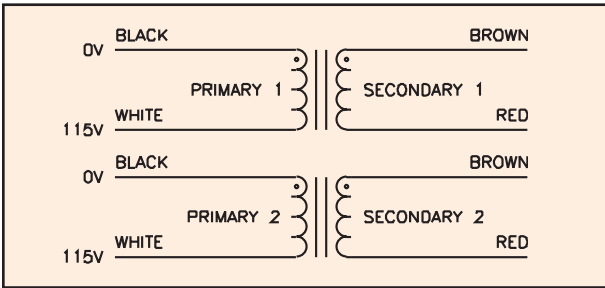
The STP series of transformers offer VA power ranges from 100 VA to 2000 VA inclusive. These standard transformer products share common lead lengths, colors, mounting configurations and more. The STP series are designed to comply with international safety standards.

Benefits

- Minimal core losses
- Low profile
- Power/mass efficient
- Reduced EMI
- Low dB
- RoHS compliant

General Specifications

- Power - 100 VA to 2000 VA
- Dual Primaries - 2 x 115 V - 50/400 Hz
- Dual Secondaries - Standard outputs 2 x 115V with multiple output configurations available
- Connections: 12.0" color-coded stranded leads
- Mounting: Single fastener with isolation pads and top plate standard
- Insulation System - Class B, 130° C
- Component certifications for North American and IEC/EN standards available on request
- UL Recognized to UL 506, File number E63829
- Custom designs available on request



Notes:

1. STP transformers having dual secondary windings may be ordered by specifying the power range, output voltage and current requirements. (A 250VA transformer with two 24V secondary windings = STP-0250-2024. A 1200 VA transformer with two 120V windings = STP-1200-2120.) Where dissimilar or multiple output configurations are required, please contact Customer Service for additional information. In all cases, a serialized part number will be assigned to the final product label.
2. The dimension profiles depicted for each VA range are for standard transformers with 2 x 115V output configurations. Dimensions of transformers with multiple outputs, dissimilar outputs or ELV outputs may vary.

Part Number ¹	Power Range	Dimensions ² Inches (mm)		Weight	Recommended Fastener Size
	VA	A	B	lbs (kg)	
STP-0100-2115	100	4.2 (105)	1.4 (35)	2.86 (1.3)	#8
STP-0150-2115	150	4.6 (116)	1.7 (42)	4.40 (2.0)	#10
STP-0200-2115	200	4.8 (120)	1.9 (48)	5.30 (2.4)	1/4"
STP-0250-2115	250	5.0 (127)	2.0 (50)	6.40 (2.9)	1/4"
STP-0300-2115	300	5.1 (128)	2.2 (55)	7.0 (3.2)	1/4"
STP-0400-2115	400	5.3 (133)	2.8 (70)	10.3 (4.7)	5/16"
STP-0500-2115	500	5.6 (140)	2.9 (72)	12.1 (5.5)	3/8"
STP-0600-2115	600	6.1 (155)	2.9 (72)	14.8 (6.7)	3/8"
STP-0800-2115	800	6.7 (170)	2.9 (72)	18.0 (8.2)	3/8"
STP-1000-2115	1000	7.1 (180)	3.1 (78)	22.1 (10.0)	3/8"
STP-1200-2115	1200	7.8 (198)	3.2 (80)	29.5 (13.4)	3/8"
STP-1600-2115	1600	8.3 (210)	3.4 (86)	35.3 (16.0)	1/2"
STP-2000-2115	2000	9.2 (232)	3.6 (90)	44.1 (20.0)	1/2"
STP-XXXX-YYYY	TBD	TBD	TBD	TBD	Custom per customer spec

Custom versions available upon request.

©2007 Signal Transformer Inc. Specifications subject to change without notice. 08.07