

Pin



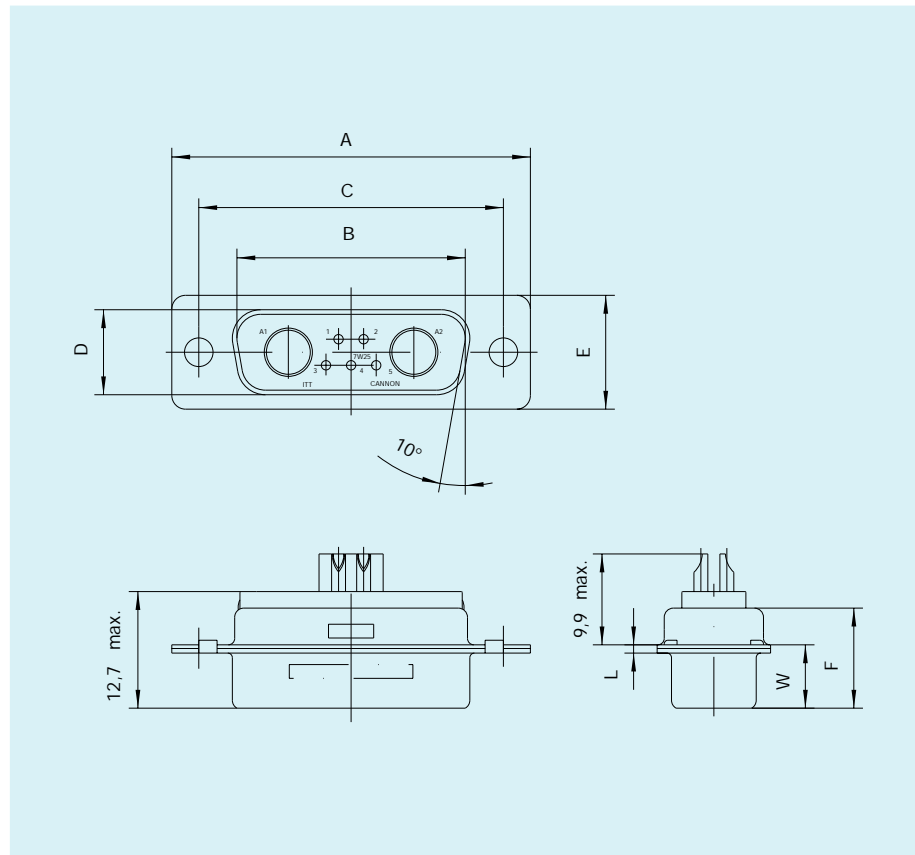
- For contact cavity arrangements, see page 52.
- For mounting methods, see page 86 – 87.
- For panel cut-outs, see our D Subminiature catalogue.

Solder cup, sizes DE – DC, with empty size 8 cavities

Shell size	Layout	P/N with through hole 3,05 mm	P/N with M3 clinch nut	P/N with dual float mount
DE	5W1	DEM-5W1P-A191-K87	DEM-5W1P-A191-K87	DEMY-5W1P-A191-K87
DA	7W2	DAM-7W2P-A191-K87	DAMX-7W2P-A191-K87	DAMY-7W2P-A191-K87
DA	11W1	DAM-11W1P-A191-K87	DAMX-11W1P-A191-K87	DAMY-11W1P-A191-K87
DA	3W3	DAM-3W3P-K87	DAMX-3W3P-K87	DAMY-3W3P-K87
DA	3WK3	DAM-3WK3P-K87	DAMX-3WK3P-K87	DAMY-3WK3P-K87
DB	5W5	DBM-5W5P-K87	DBMX-5W5P-K87	DBMY-5W5P-K87
DB	9W4	DBM-9W4P-A191-K87	DBMX-9W4P-A191-K87	DBMY-9W4P-A191-K87
DB	13W3	DBM-13W3P-A191-K87	DBMX-13W3P-A191-K87	DBMY-13W3P-A191-K87
DB	17W2	DBM-17W2P-A191-K87	DBMX-17W2P-A191-K87	DBMY-17W2P-A191-K87
DB	21W1	DBM-21W1P-A191-K87	DBMX-21W1P-A191-K87	DBMY-21W1P-A191-K87
DC	8W8	DCM-8W8P-K87	DCMX-8W8P-K87	DCMY-8W8P-K87
DC	13W6	DCM-13W6P-A191-K87	DCMX-13W6P-A191-K87	DCMY-13W6P-A191-K87
DC	17W5	DCM-17W5P-A191-K87	DCMX-17W5P-A191-K87	DCMY-17W5P-A191-K87
DC	21WA4	DCM-21WA4P-A191-K87	DCMX-21WA4P-A191-K87	DCMY-21WA4P-A191-K87
DC	25W3	DCM-25W3P-A191-K87	DCMX-25W3P-A191-K87	DCMY-25W3P-A191-K87
DC	27W2	DCM-27W2P-A191-K87	DCMX-27W2P-A191-K87	DCMY-27W2P-A191-K87

For performance class 1 replace A191 with A190.
For performance class 3 delete A191.

For clinch nut 4-40 UNC thread replace X with E.
3W3/3WK3 (keyed) 5W5 and 8W8 without signal contacts.



Dimensions

Shell size	A ± 0,38	B ± 0,13	C ± 0,13	D ± 0,13	E ± 0,13	F ± 0,25	L + 0,2	W ± 0,4
DE	30,8	16,9	25	8,35	12,55	10,7	0,8	6,7
DA	39,15	25,25	33,3	8,35	12,55	10,7	0,8	6,7
DB	53,05	38,95	47,05	8,35	12,55	10,8	0,9	6,8
DC	69,3	55,4	63,5	8,35	12,55	10,8	0,9	6,8